

# UTILITY SINK

Cat. No.  
LS460



## Features:

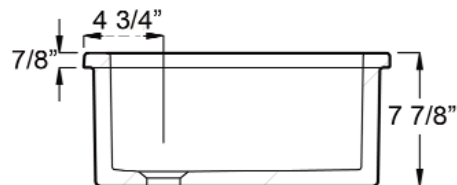
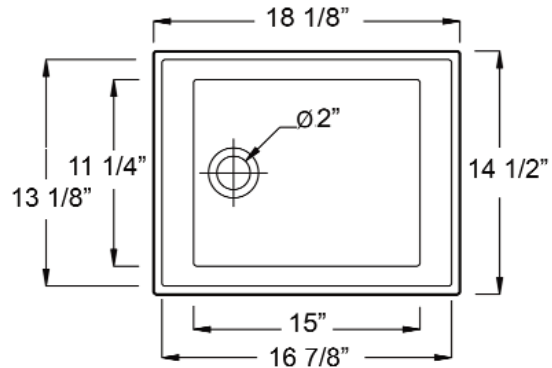
- ▶ Made of Fine Fire Clay for Durability
- ▶ Glazed inside and out on all sides
- ▶ Commercial Grade
- ▶ Can be used as Undercounter or Drop-In
- ▶ Use UMSPT supports for undercounter installation
- ▶ Use with any 2" drain or basket strainer

## Colors:

WH White

Meets or exceeds the following specifications: ASME 112.19.9M for fine fire clay.

W: 18 1/8"  
D: 14 1/2"  
H: 7 7/8"



## Interior Dimensions:

Basin interior: 15" x 11 1/4"  
Basin depth: 6 3/4"

Dimensions of fixture are nominal and may vary within the range of tolerances established by ANSI Standard A112.19.2. Dimensions and specifications subject to change without notice.