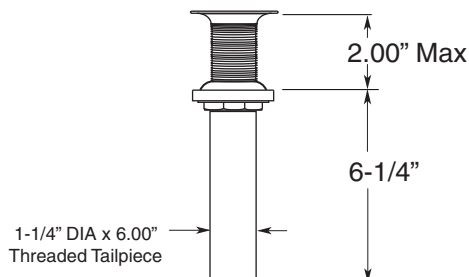
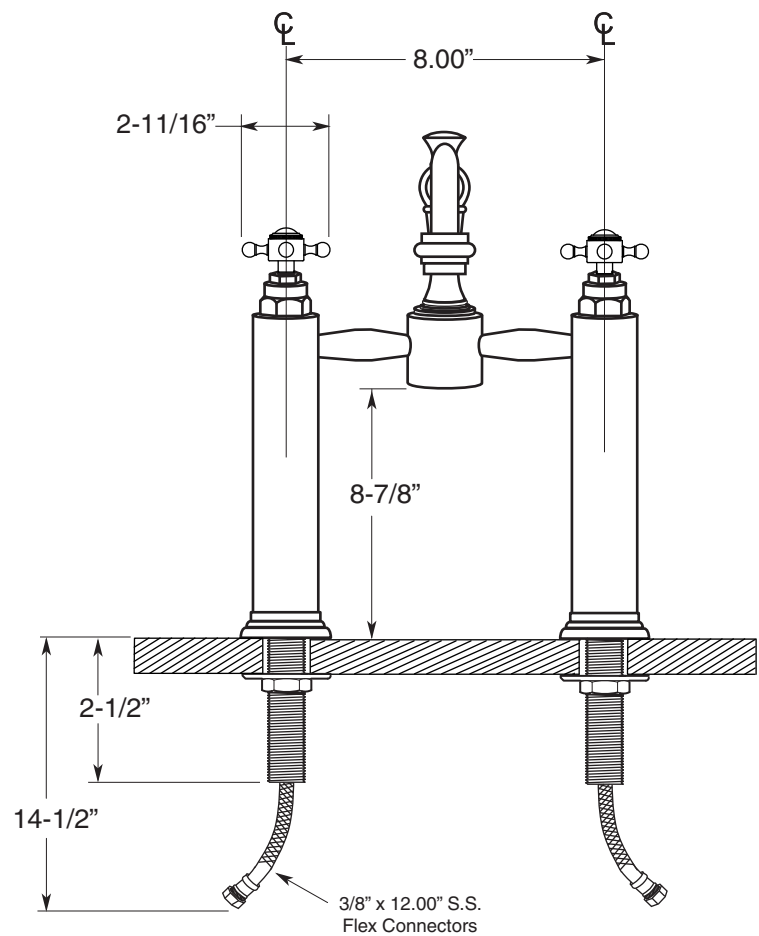
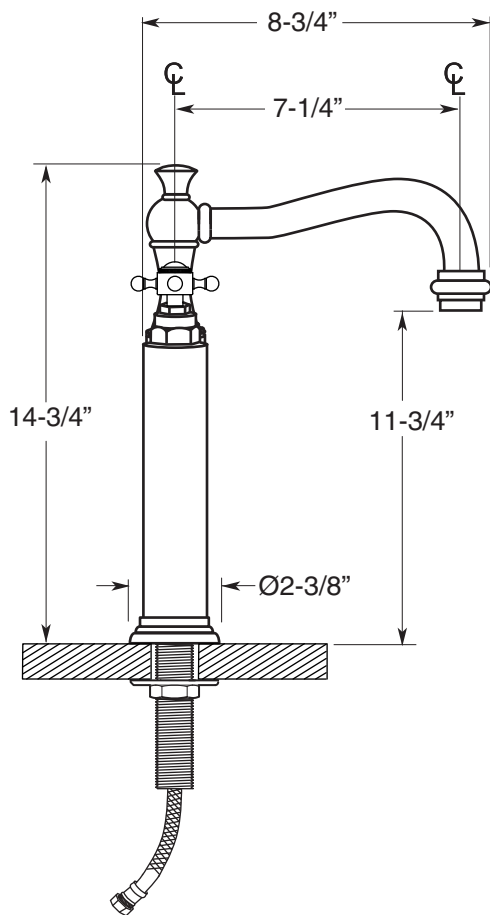


FEATURES:

- All brass construction.
- Flexible hose connections - P/N 18.06.018
- Includes grid drain without overflow - P/N 18.11.120
- Replacement cartridge P/N: 18.30.029-cold / 18.30.030-hot
- Available in all finishes. Warranty varies according to finish selection.
- Standard aerator is limited to 1.5 gpm.
- Certified to meet and exceed the following codes and standards:
ASME A112.18.1-2005/CSAB 125.1-2005.



Note: Install through
1-1/4" Diameter Holes

Note: Measurements are subject to change or cancellation. No responsibility is assumed for use of superseded or voided pages.