

Sophia 66 Freestanding

Product code : **SO66FS**

Draft revision : **20121012081852**

External dimensions : **66" x 36" x 23,5" [167,6 cm x 91,4 cm x 59,7 cm]**

Serie : **freestand**

Seats : **2**

2012 catalog page : **17**

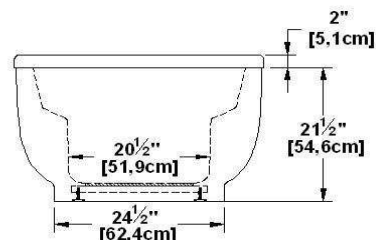
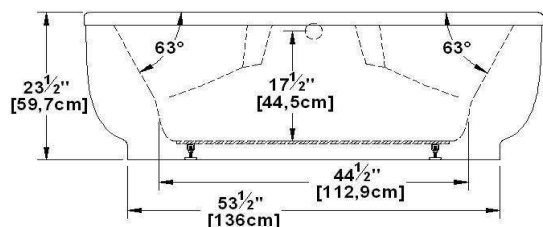
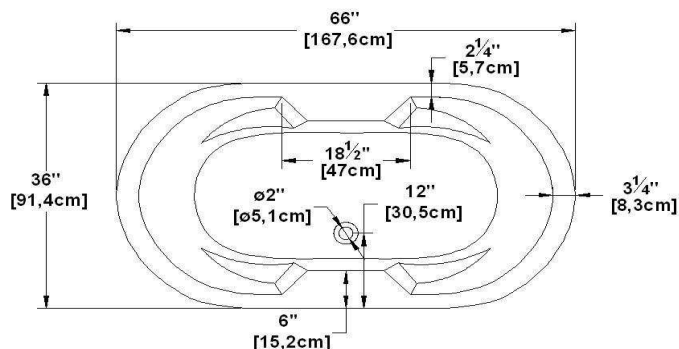
Lumbar support : **yes**

Arm rests : **yes**

Low-profile available : **no**

Also available in DECKMOUNT

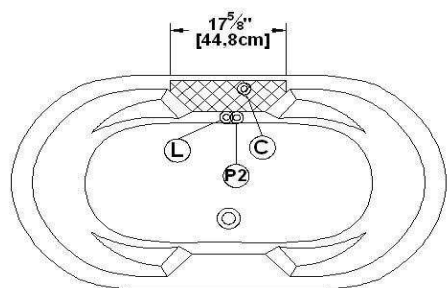
Draft and specs



Specifications	
Capacity :	37 IMP Gal. / 48,3 US Gal. / 168,2 liters
AeroMassage™ :	38 Easy Clean™ air jets
Super AeroMassage™ :	AeroMassage™ + 12 Easy Clean™ air jets
Dynamic Turbo™ :	unavailable
Confort Air™ :	unavailable
Characteristics :	n/a

Remarks	
*all measures have a precision of ± 1/4" (0,63cm)	
*internal dimensions taken at 4" (10cm) from bath bottom	
*capacity is measured by filling the soaker to 1-1/2" under the overflow	
*textured skirt available on all freestand products	
*shelf height is 3/4" on all "low-profile" models	

Options and installation



*accessories and decorative lines positions are approximative

Additional(s) note(s) :

Over-flow must be installed with flexible piping. When ordered with AeroMassage™ or Super AeroMassage™, blower must be relocated. Keypad not installed when ordered with remote control.

*It is possible that faucets may be installed elsewhere on the product. Verify, directly on the product, that there are no conflicting parts before drilling.

Legend		
(S) Blower	(L) Mood light	(C) Keypad
(P1) Pump	(P2) Grab bar	
[Cross-hatch] Recommended faucets drilling location*		
Deck cut-out line - - - - -		

Available models	
Model	Availability
Soaker alone	x
Confort Air™	
AeroMassage™	x
Super AeroMassage™	x
Dynamic Turbo™ (not available in the U.S.)	
Dynamic Turbo™ + AeroMassage™	
Dynamic Turbo™ + Super AeroMassage™	

Available recommended options	
Front skirt :	Included (Freestanding)
Recommended drain :	WOCOSB
Tiling flanges :	unavailable
Floating controller :	available

IMPORTANT NOTE : Specifications, dimensions and models are subject to change.

Visit our website <http://www.oceania-attitude.com> to access up-to-date dimensions and informations. In all cases, information on the website is the most up-to-date. Dimensions may vary slightly. To ensure proper fit, measurements must be taken on the product directly.

Head office

591, avenue des Entreprises
Thetford Mines, Quebec
CANADA G6H 4B2

Phone numbers

No-charge : 1-877-332-4224
Fax : 1-866-460-4334

Internet

Web : <http://www.oceania-attitude.com>
Email : info@oceaniabaths.com