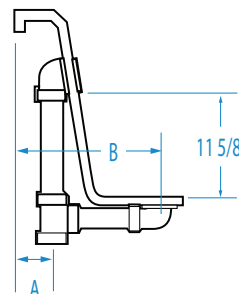
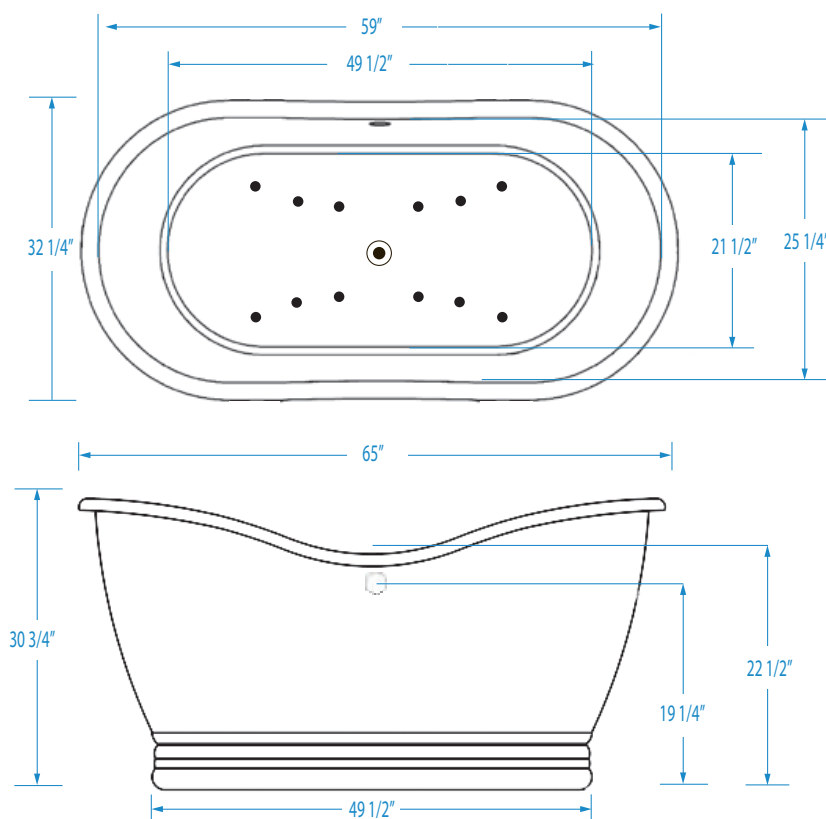


SERENITY 42

 65 x 32 1/4 x 30 3/4 (1650 x 820 x 780)
 inches (mm)


Note: Because the Serenity 42 is a one-of-a-kind handmade bath, dimensions may vary up to several inches. Please take all measurements directly from the bath.



FEATURES lbs (kg) Dimensional Tolerance ± 3/8". Dimensions needed for site preparation should be measured from the unit. Aquatic assumes no responsibility for preparatory work.

| Type and Model # | Material | System | Powered By | Heater | Controls | Drain | Pkg. Wt. |
|-------------------------|------------------------|-------------|-----------------------|------------|------------|--------|-----------|
| Soaker #AI42COPNIKTO | Copper Nickel Interior | - | - | - | Electronic | Center | 421 (191) |
| Air Bath #AI42AIRCOPNIK | Copper Nickel Interior | Air channel | Variable speed blower | Integrated | Electronic | Center | 451 (205) |

DIMENSIONS inches (mm)

| Width Overall / Net | Depth Overall / Net | Height Overall / Net | Skirt Height |
|------------------------|------------------------|-------------------------|-----------------|
| 65 (1650) | 32 1/4 (820) | 30 3/4 (780) | - |

SUMP DATA inches (mm)

| Capacity to Overflow gal (ltr) | Min. Operating Capacity gal (ltr) | WIDTH @ centerline | | DEPTH @ centerline | |
|--------------------------------------|---|--------------------|---------------|--------------------|--------------|
| | | Top | Bottom | Top | Bottom |
| 106 (401) | - | 59 (1500) | 49 1/2 (1260) | 25 1/4 (640) | 21 1/2 (545) |

PLUMBING DIMENSIONS inches (mm)

| A | B | Drain Diameter / Clearance |
|------------|--------------|----------------------------------|
| 1 1/2 (40) | 14 1/2 (368) | |

ELECTRICAL DATA

| Component | Specification | Requirement |
|--------------------------|----------------|---|
| Heated Blower (Air Bath) | 10.5 AMP; 120V | 1.5 AMP, 120V, separate circuit, Class A GFCI |

NOTES:

1) Where applicable, utilize cut-out templates packed with unit for deck cutouts.

2) 16 x 16 (405 x 405) minimum access required at pump/blower location(s).

Each Serenity air bath is equipped with an air heating system to raise the temperature of the air entering the bath. This air temperature will be lower than the bathing temperature of the water, but will help reduce rapid decrease in water temperature. In addition, the air coming from the air jets will feel cool against the skin. This system does not heat the water.