



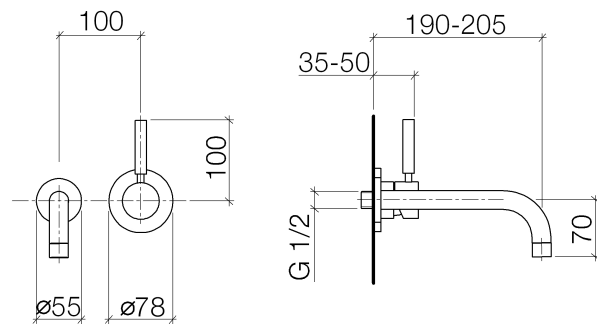
**Product specifications**

**Exposed trim parts only, rough to be ordered separately**

- **7 7/8" projection**
- Fixed spout 1/2"
- M 22 x 1 aerator – female thread
- Water flow rate limited to max. 1.5 gpm
- low lead compliant
- Diameter flange for mixer 3 1/8"
- 2 1/8" diameter flange for spout

[ADA]

Mixer can be positioned above, to the right or to the left of spout.





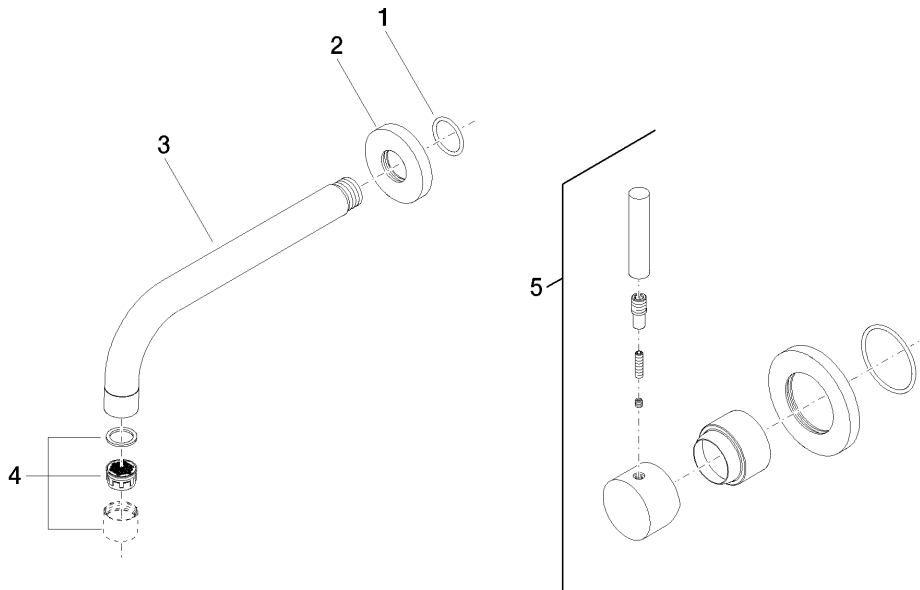
### Surfaces

- chrome 36812885-000010
- chrome 36812885-000010
- matt platinum 36812885-060010
- matt platinum 36812885-060010

### Accessories required

- Rough, handle on the right, spout on the left ;  
35806970
- Rough, handle on the right, spout on the left ;  
35806970
- Rough, handle on the left, spout on the right;  
35807970
- Rough, handle on the left, spout on the right;  
35807970
- Rough, mixer above; 35808970
- Rough, mixer above; 35808970

**Exploded assembly drawing**



**Order quantity**

<b>No.</b>	<b>Article number</b>	<b>Name</b>	<b>Installation quantity</b>
1	09141009390	seal	1
2	092788006ff	rosette	1
3	04282219710ff	spout	1
4	90230100402ff	aerator	1
5	36008885ff	connection	1

