



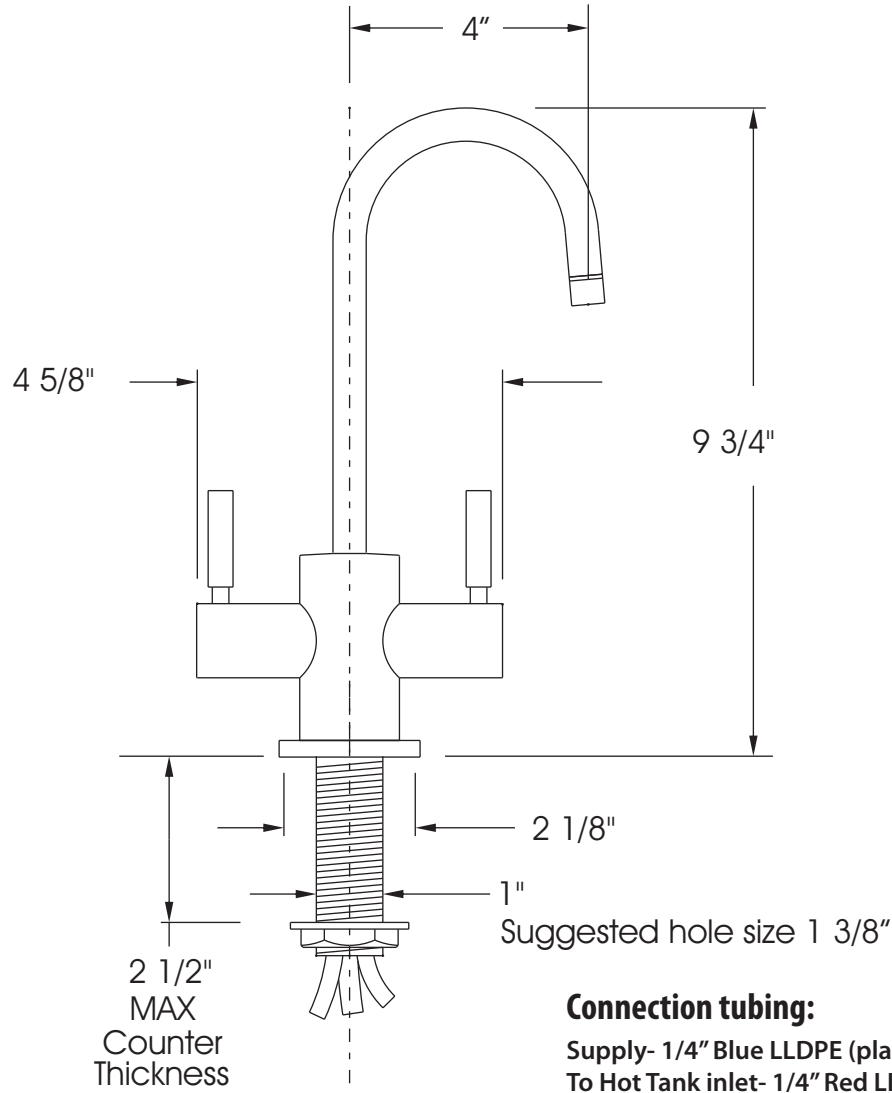
41180 Raintree Court
Murrieta, CA 92562
1-888-304-0660
www.waterstoneco.com

ITEM NO: **1400HC**
STYLE: **PARCHE**
INTENDED USE: FILTRATION FAUCET

CUSTOMER NAME:

JOB NO:

DIMENSIONS MAY VARY AND ARE SUBJECT TO CHANGE. NO RESPONSIBILITY IS ASSUMED FOR USE OF SUPERCEDED OR VOIDED DATA



Connection tubing:

Supply- 1/4" Blue LLDPE (plastic) x 48"
To Hot Tank inlet- 1/4" Red LLDPE (plastic) x 36"
To Hot Tank outlet- 5/16" Clear PTFE x 36"

Technical Specifications

- Solid brass or stainless steel construction.
- 1/4 turn ceramic disk valve cartridges.
- Lever handles.
- 1.1 gpm maximum flow rate.
- 360 degree swivel spout.

Codes/Standards Applicable

Specified model meets or exceeds the following:

- ASME A112.18.1
- CSA B125.1
- NSF 61
- CALGreen
- ADA

DATE: 1-6-08



MADE IN THE USA