

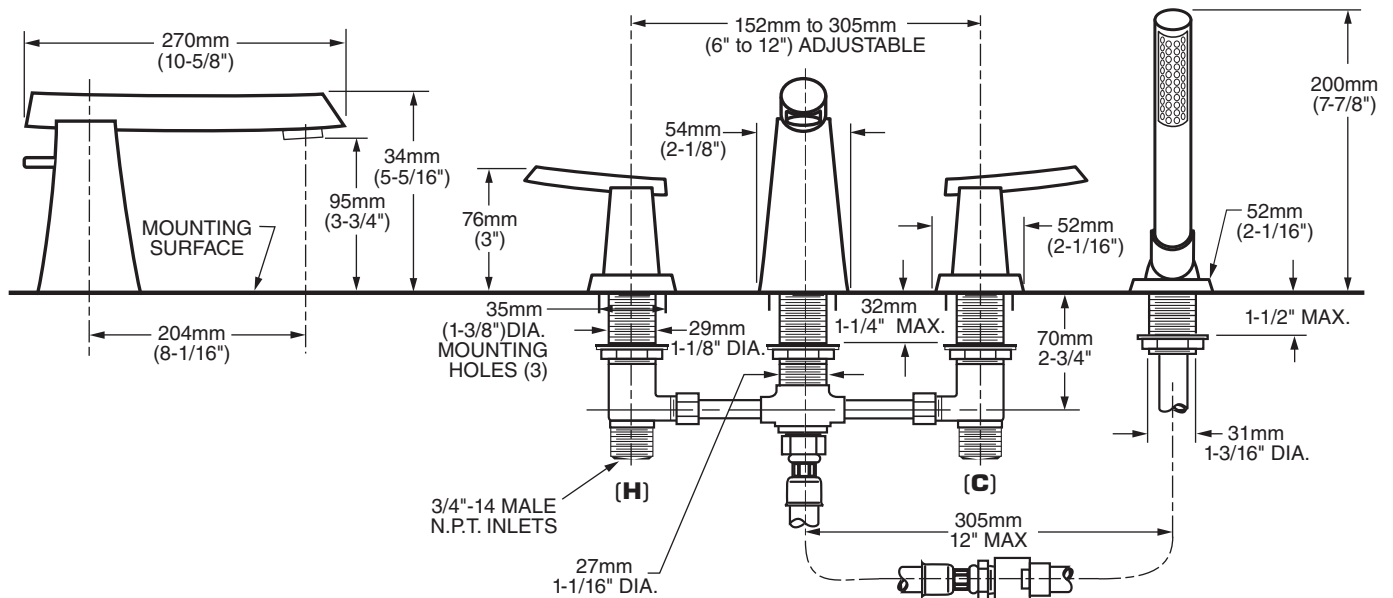
7010.901 Shown

**MODEL NUMBER:**

- ❑ **7010.901 Deck-Mount Tub Filler**  
Personal shower. Metal Lever handles.
- ❑ **7010.900 Deck-Mount Tub Filler**  
Less personal shower. Metal Lever handles.

**AVAILABLE ACCESSORY:**

- ❑ **8888.900 Deck Mount Tub Filler Flex Hose Kit**



**GENERAL DESCRIPTION:**

Durable brass spout with built-in diverter (on 7010.901). Rigid brass and copper waterway below deck. Brass valve bodies with 3/4" NPT inlets. 1/4 turn washerless ceramic disc valve cartridges. Personal shower features a 6-1/2' long hose (1-1/2' heavy duty hose and 5' decorative hose.) 2.5 gpm/9.5L/min. maximum flow rate.

**PRODUCT FEATURES:**

- Brass Construction:** Durable. Ideal for prolonged contact with water. Provides the finest surface for application of all finishes.
- Ceramic Disc Valve Cartridges:** Assures a lifetime of drip-free performance.
- Choice of Finishes:** Available in Polished Chrome or Stainless Steel (PVD).

**SUGGESTED SPECIFICATION:**

Two handle deck-mount tub filler shall feature brass construction with brass and copper waterway. Shall also feature 1/4 turn washerless ceramic disc valve cartridges. Fitting shall be American Standard Model #7010.\_\_\_\_.\_\_\_\_