

SPECIFICATIONS FOR
PARAGON



CPS291- Antique
 CPS591- Brushed Nickel

PRODUCT DETAILS

- * 33" x 22" x 10.5" OD (6.5" Apron)
- * 28" x 17" x 10" ID
- * Hand hammered 16 gauge recycled copper
- * Apron extends 1.5" on sides
- * 3.5" drain opening
- * Dimensions are not exact and may vary $\pm 1/2"$

INSTALLATION

- * Undermount

COORDINATING PRODUCTS

- * Drains: DR320 or DR340
- * Bottom Grid: GR972

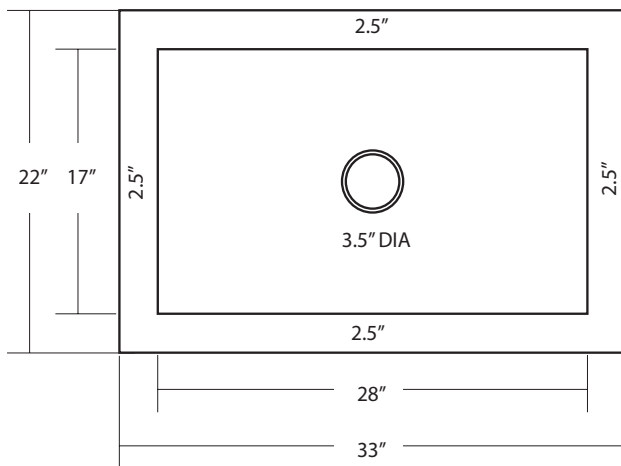
STANDARDS COMPLIANCE

- * IAPMO Listed / cUPC

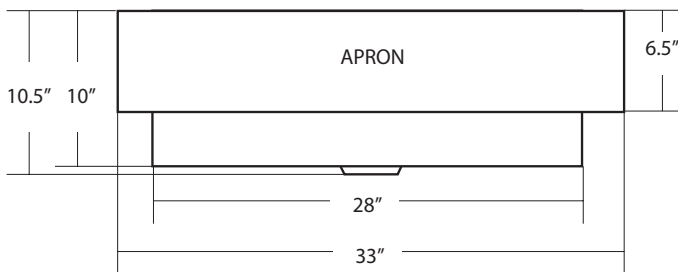
IMPORTANT

Due to the handcrafted nature of this product, it will vary in finish, texture, hammering, and other details. Dimensions may vary up to 1/2". We strongly recommend that you wait for the actual product before making any installation cuts.

TOP VIEW



FRONT VIEW



SIDE VIEW

