



### Product specifications

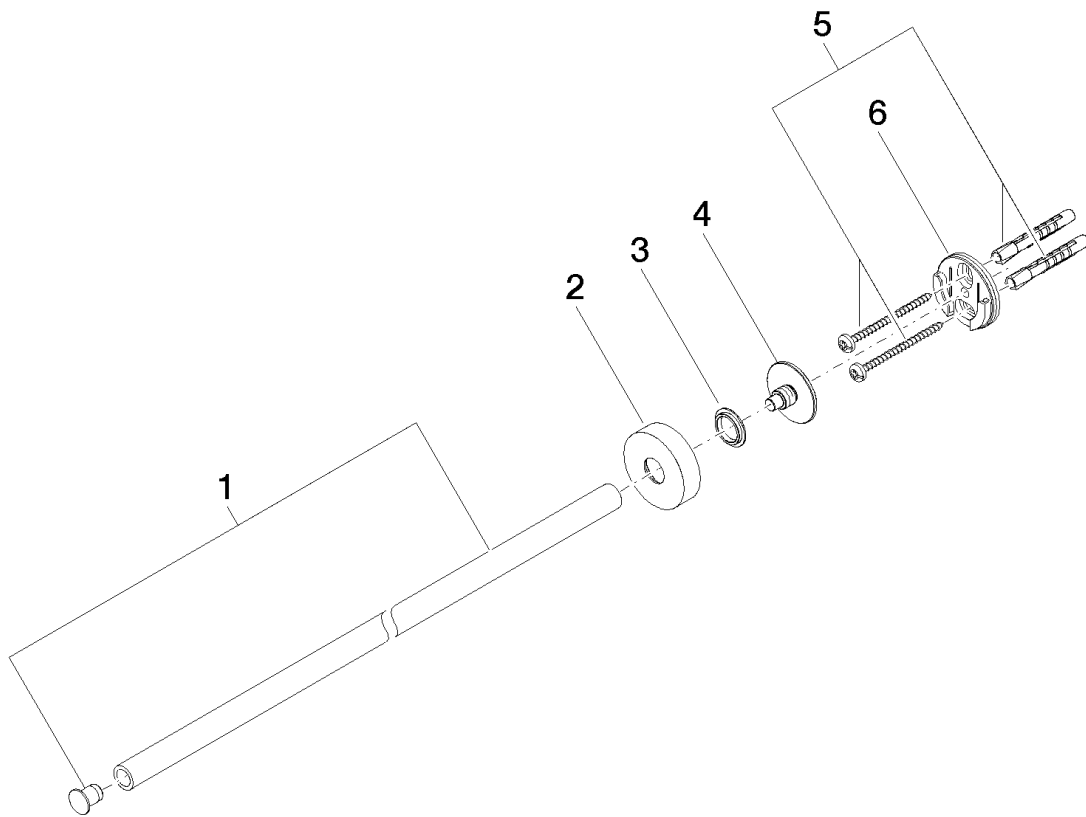
- Flange diameter 1 5/8"
- 19 1/4" projection



### Surfaces

- |                 |             |
|-----------------|-------------|
| • chrome        | 83211979-00 |
| • chrome        | 83211979-00 |
| • matt platinum | 83211979-06 |
| • matt platinum | 83211979-06 |

**Exploded assembly drawing**



**Order quantity**

<b>No.</b>	<b>Article number</b>	<b>Name</b>	<b>Installation quantity</b>
1	90179756500ff	holder	1
2	082797500ff	rosette	1
3	08301151690	ring	1
4	08179756090	holder	1
5	0530310250090	fixing set	1
6	08179750107	holder	1