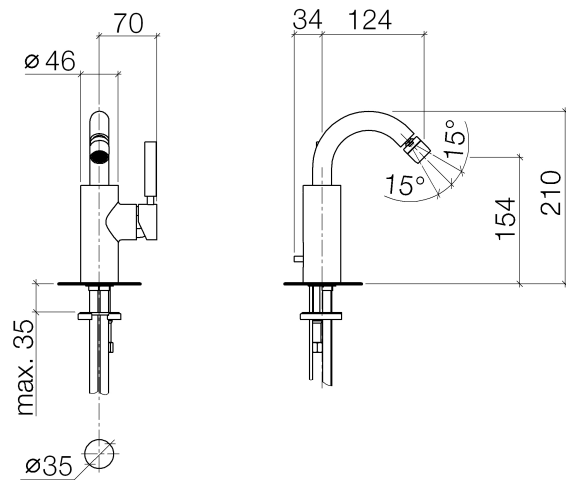




### Product specifications

- **4 3/8" projection**
- Ceramic disc cartridge
- 2x M 10 x 1 screw-in high pressure hose
- Total height 8 1/4"
- Height to aerator/spout outlet 6 1/8"
- **US drain with overflow**
- Water flow rate limited to max. 1.85 gpm
- Aerator M 22 x 1 with ball-and-socket joint M 14 x 1, can be swiveled 15°

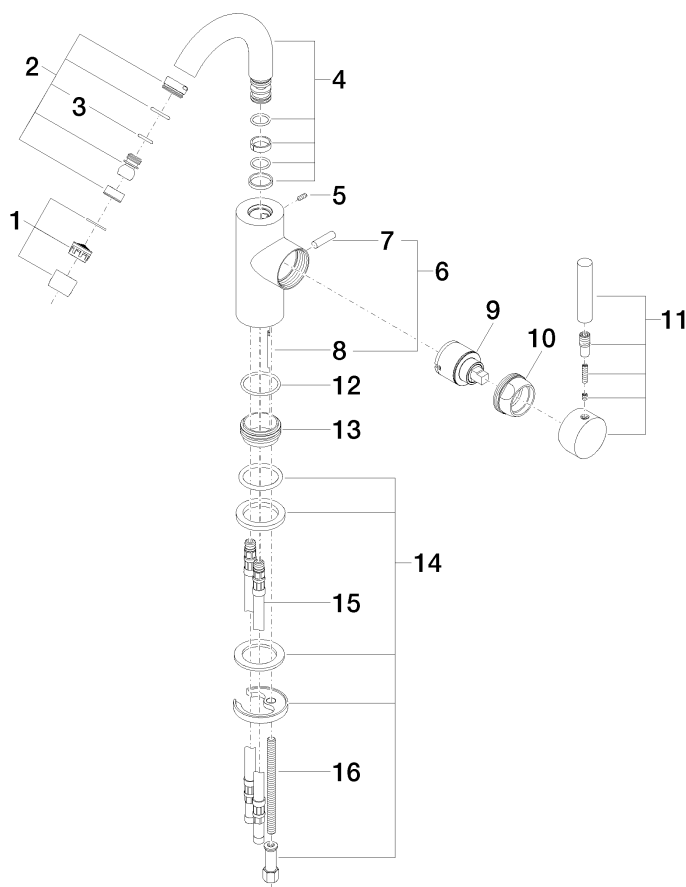
[ADA]



### Surfaces

- |                 |             |
|-----------------|-------------|
| • chrome        | 33600885-00 |
| • chrome        | 33600885-00 |
| • matt platinum | 33600885-06 |
| • matt platinum | 33600885-06 |

**Exploded assembly drawing**



**Order quantity**

<b>No.</b>	<b>Article number</b>	<b>Name</b>	<b>Installation quantity</b>
1	90230111902ff	aerator	1
2	04214000700ff	joint	1
3	09141001190	seal	1
4	90282216500ff	spout	1
5	09311106190	pin	1
6	04206203080ff	pull-rod	1
7	092062030ff	handle	1
8	093109080ff	pull-rod	1
9	09150503490	cartridge	1
10	092404107ff	nut	1
11	90208804600ff	handle	1
12	09141011990	seal	1
13	092810109-07	ring	1
14	0430110858890	fixing set	1
15	0430040450090	hose	2
16	09311101290	pin	1
17	04110102300ff	pop-up waste	1