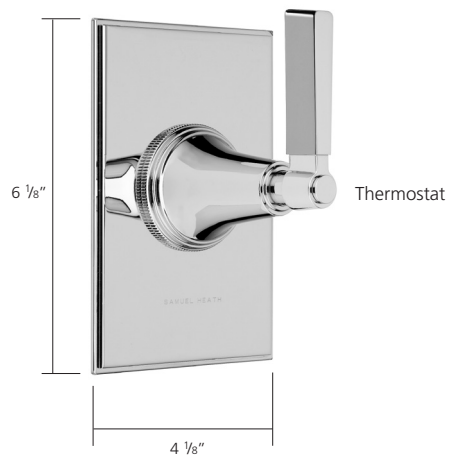


## V600-TM

Trim set for V600-AIS



### Metal Lever

Requires: V600-AIS  
Projection: Max 3 15/16"  
Options: V607 Flow control  
Finishes: Chrome  
Polished nickel  
Stainless steel finish  
Antique gold

UK and Worldwide Customer Service Team:  
+44 (0)121 766 4200  
[www.samuel-heath.co.uk](http://www.samuel-heath.co.uk)

USA Customer Service Team:  
[www.samuel-heath.com](http://www.samuel-heath.com)