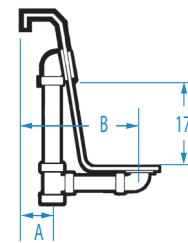
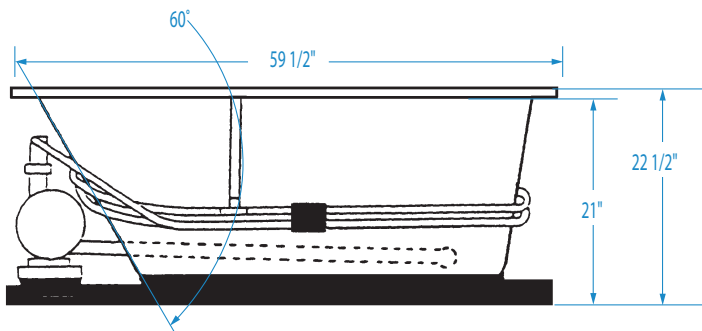
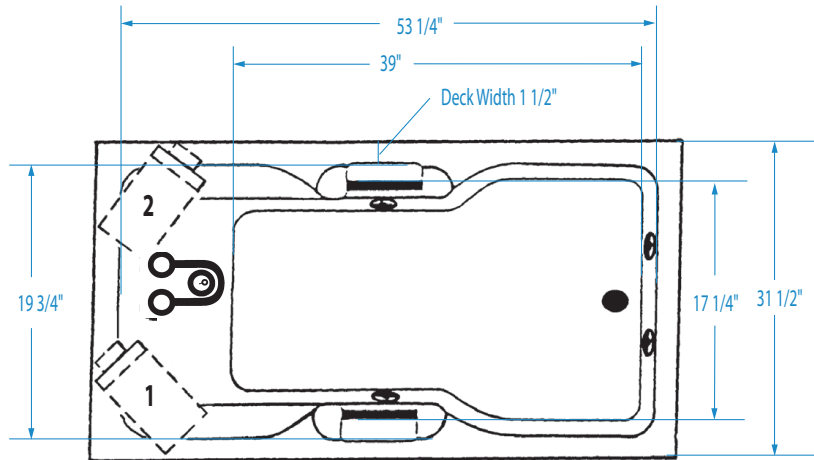


# LAGUNA

59 1/2 x 31 1/2 x 22 1/2 (1510 x 800 x 570)  
inches (mm)



Note: For Air-whirlpool, no alternate pump/blower location available.



**FEATURES** lbs (kg) Dimensional Tolerance ± 3/8". Dimensions needed for site preparation should be measured from the unit. Aquatic assumes no responsibility for preparatory work.

Type and Model #	Material	Jets	Pump	Air System	Blower	Heater	Controls	Drain	Pkg. Wt.
Whirlpool #A16032D	Acrylic	7	1.75 HP	—	—	1.5 kw Inline (optional)	Electronic	Universal	182 (83)
Air-Whirlpool #A127LUX6032	Acrylic	7	1.75 HP	Channel	Variable speed	1.5 kw Inline	Electronic	Universal	224 (102)

**DIMENSIONS** inches (mm)

Width Overall / Net	Depth Overall / Net	Height Overall / Net	Skirt Height
59 1/2 (1510)	31 1/2 (800)	22 1/2 (570)	—

**SUMP DATA** inches (mm)

Capacity to Overflow gal (ltr)	Min. Operating Capacity gal (ltr)	WIDTH @ centerline		DEPTH @ centerline	
		Top	Bottom	Top	Bottom
65 (246)	46 (174)	53 1/4 (1350)	39 (990)	19 3/4 (500)	17 1/4 (440)

**PLUMBING DIMENSIONS** inches (mm)

A	B	Drain Diameter / Clearance
3 (75)	11 1/4 (285)	2 (50) / 5/8 (15)

**ELECTRICAL DATA**

Component	Specification	Requirement
Pump	1.75 HP; 12 AMP; 120V	15 AMP; 120V, separate circuit; Class A GFCI
Inline Heater	1.5 kW; 12 AMP; 120V	15 AMP; 120V, separate circuit; Class A GFCI
Blower	1.0 HP; 9.5 AMP; 120V	15 AMP; 120V, separate circuit; Class A GFCI

NOTES:  
1) Where applicable, utilize cut-out templates packed with unit for deck cutouts.

2) 16 x 16 (405 x 405) minimum access required at pump/blower location(s).

NOTE:  
1) This whirlpool must be hard wired to the breaker box. Three outlets will be supplied on the air-whirlpool.