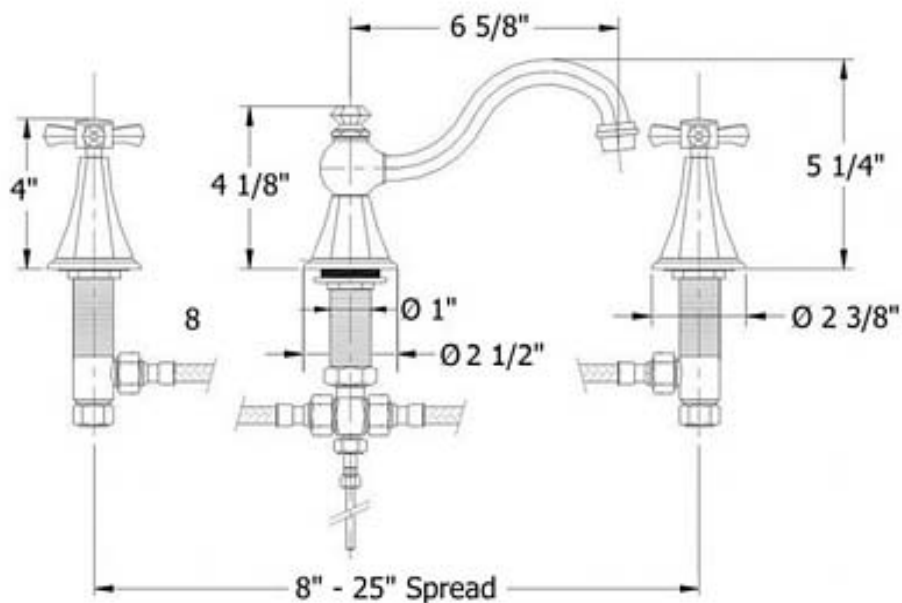


# 3602 - 'Monarque' Widespread Lav. Set



Hole Drilling = 1 1/4"

Part#	Description
25	Spout O-Rings
26	Central Inlet
27	Threaded Stem
28	3/4" Washer
29	"T" Assembly
30	O-Ring
31	Brass Nut
32	Copper Supply Tube
33	Rubber O-Ring
34	Nut
35	Pop-Up Assembly
35	Horizontal Brass Rod & Connector
36	Rubber O-Rings
37	1/2" Adapter

## Technical Information

- Available finishes are Polished Chrome(48), Solibrass(49), Old Gold(52), Old Silver(53), Polished Brass(55), Polished Nickel(56), Brushed Nickel(57), Satin Nickel(60), Weathered Brass(70)
- Please see cleaning instructions for finish care and maintenance information
- 1/2 Turn ceramic cartridges
- 1 1/4" Pop-up drain assembly
- Swiveling spout
- 6 1/4" Projection

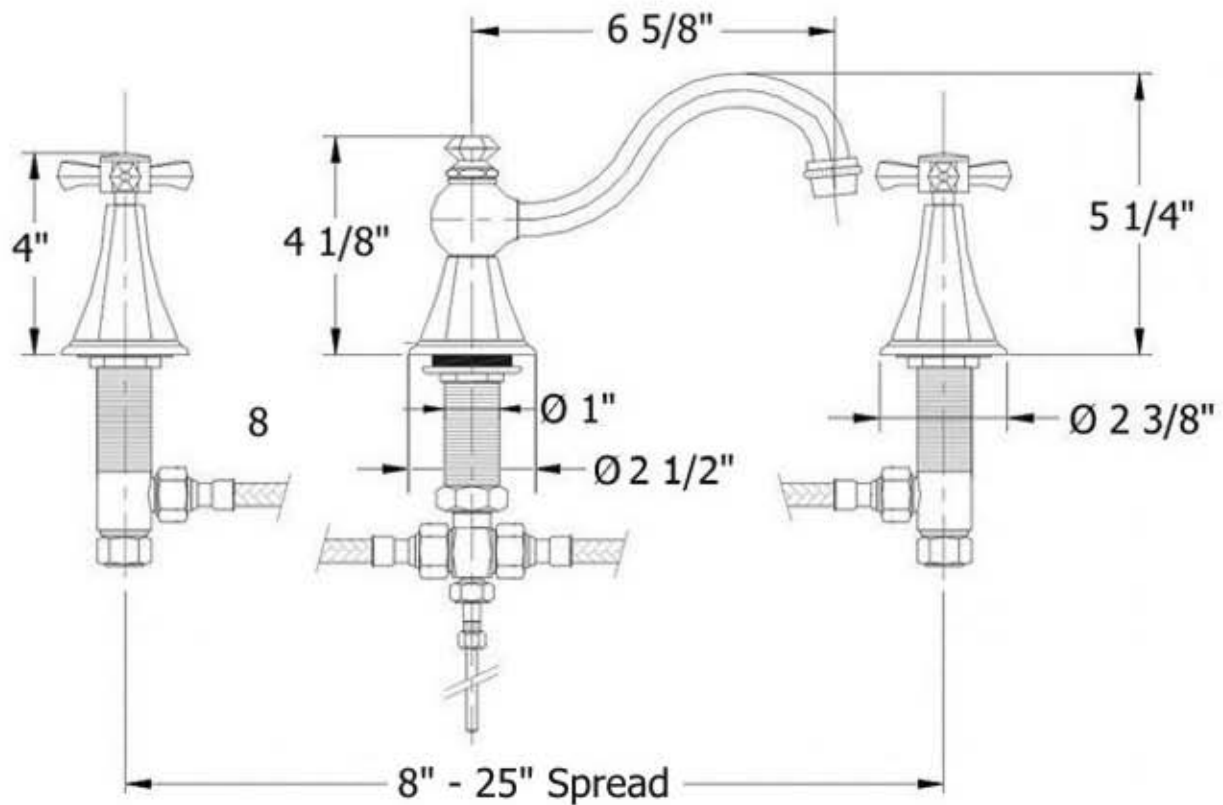
Part#	Description
1	Ceramic Indice
2	Indice Insert
3	Handle Screw
4	Monarque Horizontal Handle Stem
5	Monarque Handle Center
6	Vertical Handle Stem
7	Pyramid Body
8	1/2 Turn Ceramic Cartridge
9	Escutcheon
10	Flat Rubber Washer
11+12	Center Metal Ring & Rubber Washer
11-14	Complete Valve Body
13	Brass Nut
15	1/2" Fiber Washer
16	Flexible Hose
17	Pop-Up Knob
18	Pop-Up Rod
19	Finished Nut
20	Finished Washer
21	Monarque Spout
22	Aerator Washer
23	Aerator Filter
24	Aerator Cover

Please follow example when ordering parts for 'Monarque' Widespread Lav. Set

- To order part #03 – **Handle Screw**
  - 9360203 xx
- Please substitute finish number needed in place of **xx**.
- To order a part that is not finished use **00**

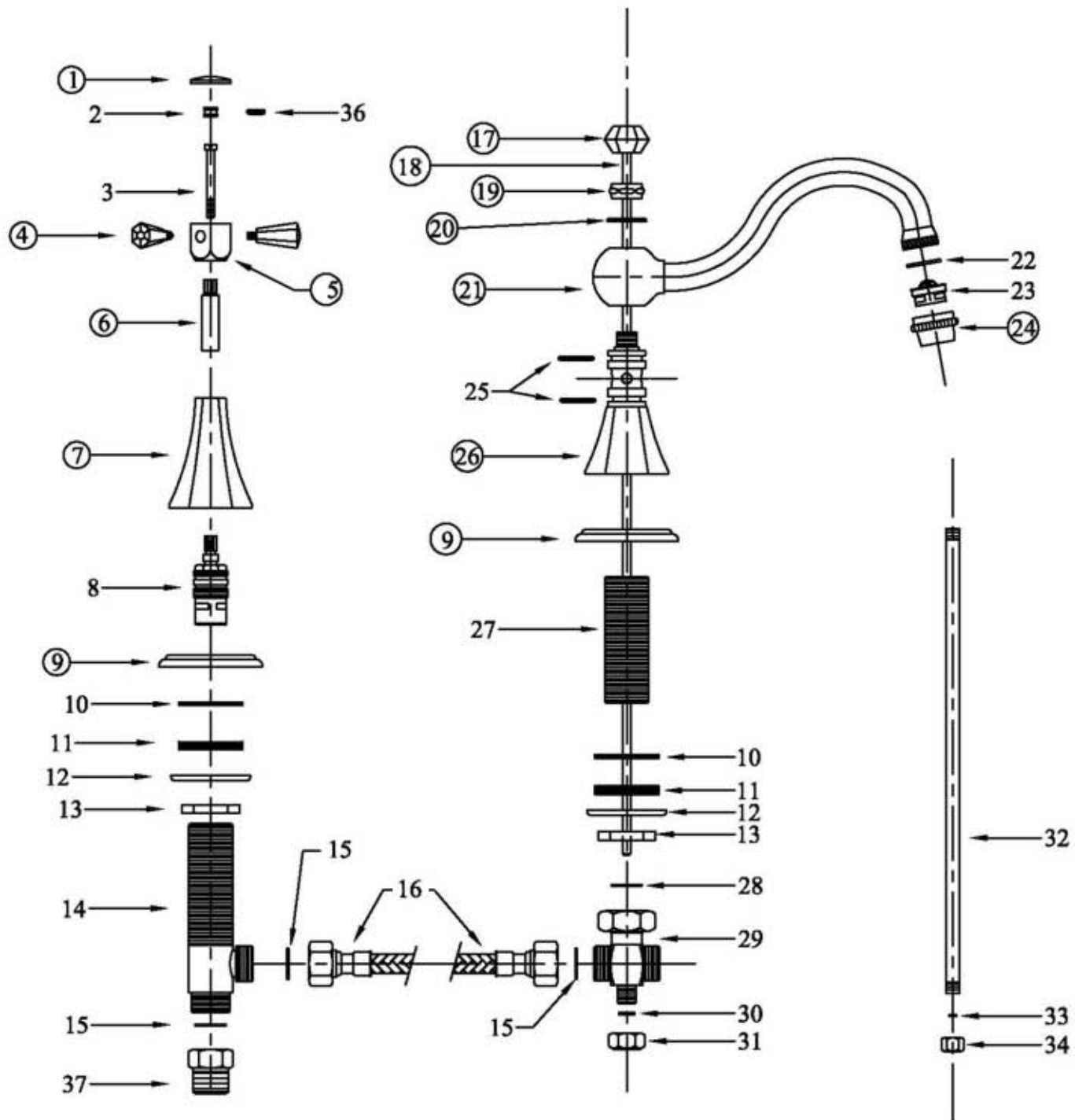


# 3602 - 'Monarque' Widespread Lav. Set



Hole Drilling = 1 1/4"

# 3602 - 'Monarque' Widespread Lav. Set



○ Polished pieces

