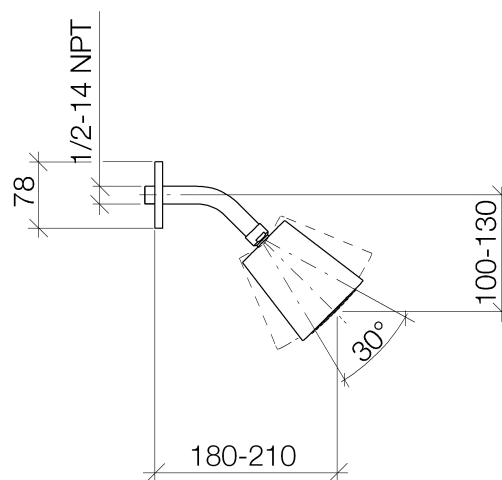




Product specifications

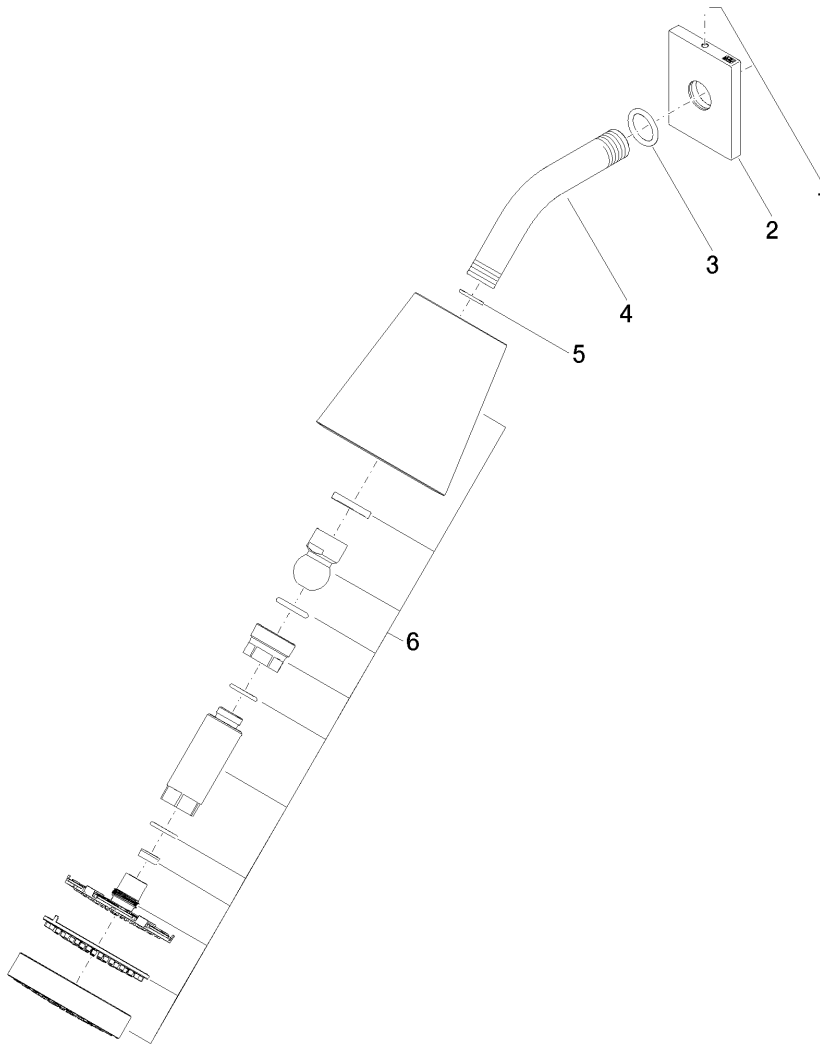
- Ball-and-socket joint 25°, swivel (in any direction)
- Flange 3 1/8 x 2 3/8"
- 1/2" connection
- Water flow rate limited to max. 1.85 gpm
- Descaling system



Surfaces

- chrome 28504670-00

Exploded assembly drawing



Order quantity

No.	Article number	Name	Installation quantity
1	09311104890	pin	1
2	092767010ff	rosette	1
3	09141002690	seal	1
4	091103011ff	connection	1
5	09142000290	seal	1
6	90120505400ff	shower	1