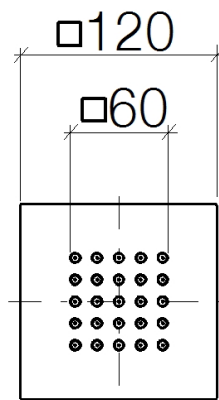




**Product specifications**

- Cover plate 4 3/4" x 4 3/4"
  - Descaling system
  - Water flow rate limited to max. 1.59 gpm
- Additional flow restrictor (2.2 gpm) included to extend spray projection

**NOTE: Important! Due to minimum rough-in requirements, a framing of 2 x 6 studs is needed.**



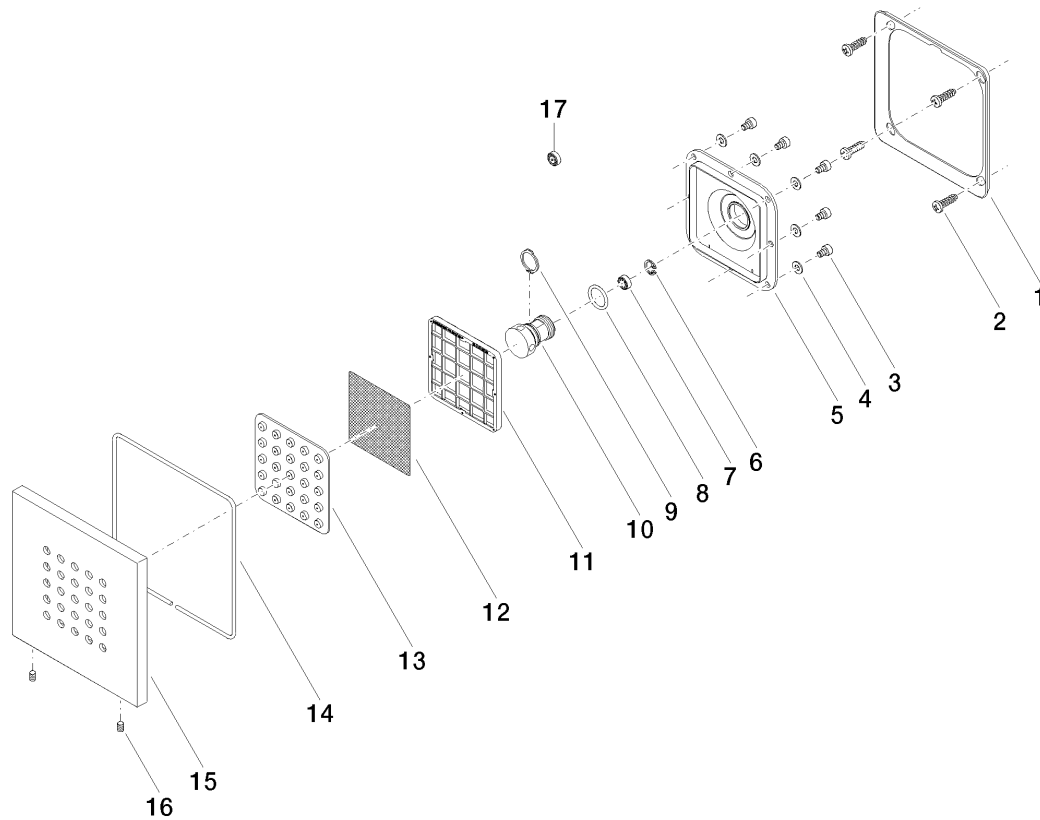
**Surfaces**

- chrome 36515979-00
- matt platinum 36515979-06

**Accessories required**

- Rough; 35205970

**Exploded assembly drawing**



**Order quantity**

<b>No.</b>	<b>Article number</b>	<b>Name</b>	<b>Installation quantity</b>
1	09280102490	holder	1
2	09303102290	screw	4
3	09303003190	screw	8
4	09301102490	disc	8
5	09121220590	base	1
6	09160101690	ring	1
7	09230103290	flow reducer	1
8	09141013090	seal	1
9	09160101790	ring	1
10	09171114690	distributor	1
11	09179705790	holder	1
12	09293004390	insert	1
13	09120107590	insert	1
14	09140311790	seal	1
15	092798004ff	rosette	1
16	09311104890	pin	1
17	09230105290	flow reducer	1

