

Date:

Client:

Project:

VOLA product: SC10



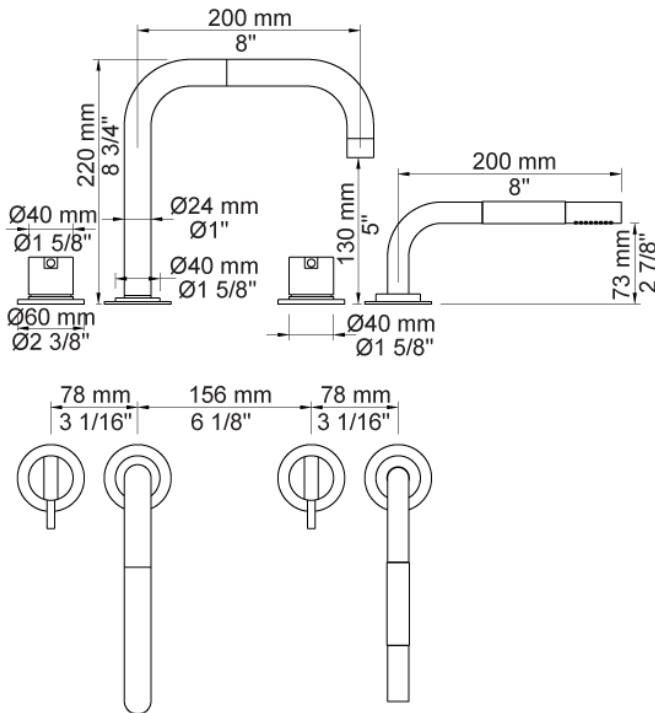
**SC10**

One-handle mixer 2500 with double swivel spout 090D, one-handle mixer with hand shower 500T1.

**Flow**

|                    | Bar:    | 1,0  | 2,0  | 3,0  | 4,0  | 5,0  |
|--------------------|---------|------|------|------|------|------|
| 090D <sup>1)</sup> | (l/min) | 10,4 | 14,7 | 18,0 | 20,8 | 23,2 |
| T1                 | (l/min) | 5,8  | 8,2  | 10,0 | 11,6 | 12,9 |

<sup>1)</sup> 090D



**Available in colours**

- Color 02, Grey
- Color 04, Light blue
- Color 05, Orange
- Color 06, Light green
- Color 08, Yellow
- Color 09, Dark grey
- Color 12, Mocca
- Color 14, Bright red
- Color 15, Dark blue
- Color 16, Polished chrome
- Color 17, Gloss black
- Color 18, White
- Color 19, Natural brass
- Color 20, Brushed chrome
- Color 21, Carmine red
- Color 25, Pink
- Color 27, Matt black
- Color 40, Brushed stainless steel



Date:

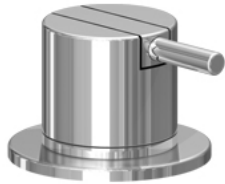
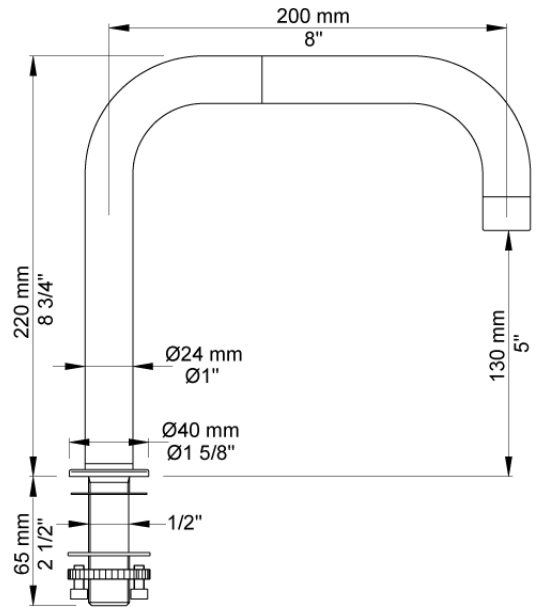
Client:

Project:

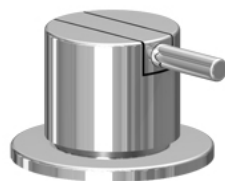
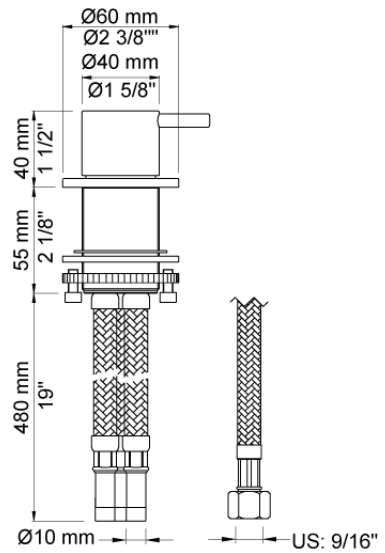
VOLA product: SC10



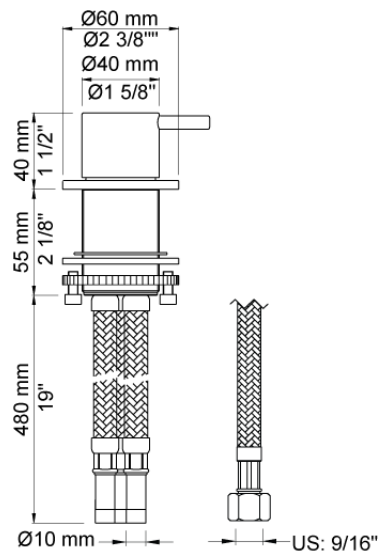
**090D**  
360° double swivel spout.  
Hole cut out size: 21 mm, max. 29 mm.



**2500**  
One-handle table-mounted mixer, high flow.



**500**  
One-handle table-mounted mixer.



Date:

Client:

Project:

VOLA product: SC10



**T1**  
Deck mounted pull out hand shower, with 2 m hose.  
Work top: Max. 45 mm.  
Hole cut out size: 28 mm.

