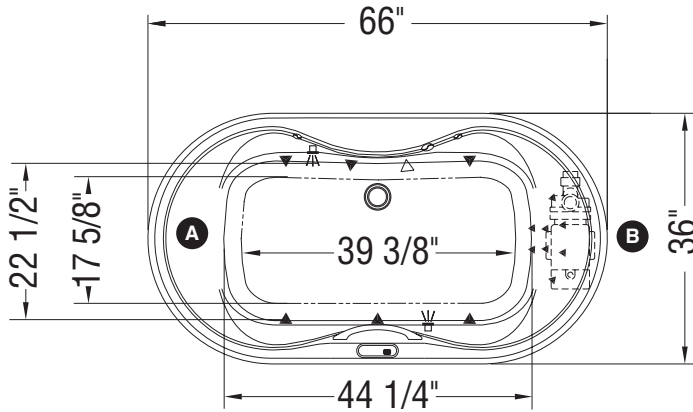
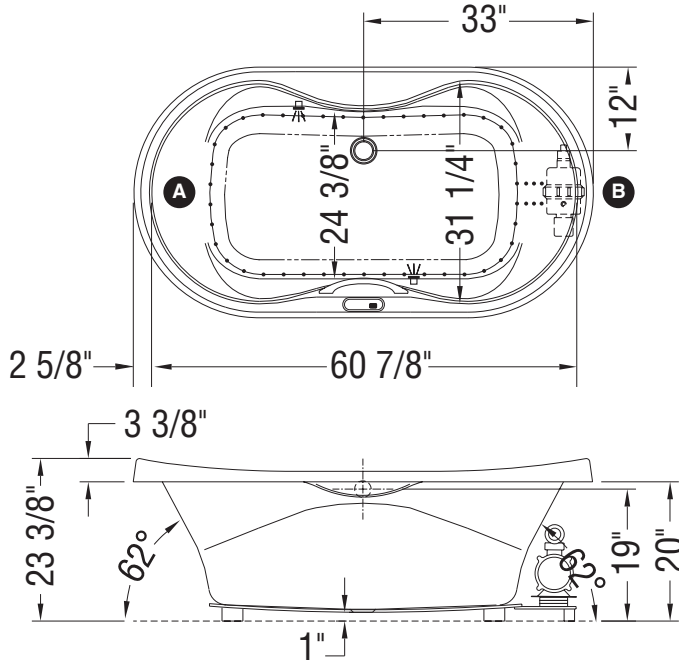


WHIRLPOOL SYSTEM



AIR SYSTEM



Note: Air backjets on same side as blower

(▲): Indicates whirlpool jets positioning

(△): Indicates suction positioning

(●): Indicates airjets positioning

(☼): Indicates chromatherapy light positioning

Bathtub base includes anti-vibration Neutra-Phone leg supports (not shown).

All dimensions are approximate. Structure measurements

must be verified against the unit to ensure proper fit.

(A): Specify blower and/or pump location when ordering

(B): Indicates standard grab bar positioning