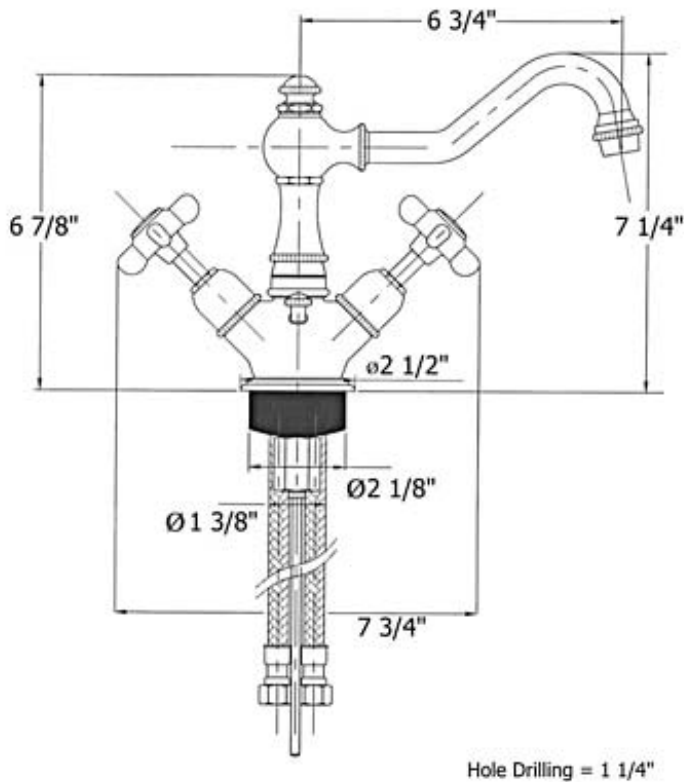


3001 - 'Royale' Single Hole Basin Mixer with Pop Up Waste



Part #	Description
01	Top Knob
02	Finished Washer
03	Spout
04	Spout Washer
05	Aerator Filter
06	Aerator Cover
08	Rubber O-rings
09	Body
11	Finished Nut
13	Base
14	Threaded Stem
15	Deck Escutcheon
16	Rubber O-ring
17	Brass Horse Shoe & Washer
18	Brass Nut
18'	Brass Washer
19	Ceramic Insert
20	Double Sided Adhesive
21	Handle Screw
22	Handle Washer
23	Cross Handle
24	Handle Stem
25	Bell Escutcheon
28	Flexible Hose O-ring
29	Flexible Hose
30	Pop Up Knob
31	Pop Up Rod
85	Royale Cartridge

Technical Information

- Requires 1 1/4" hole drilling
- Flow rate is 2.2 GPM
- 3/8" flexible hoses
- Swiveling spout
- Includes 1 1/4" pop up waste
- Available finishes are Polished Chrome(48), SoliBrass(49), Polished Brass(55), Polished Nickel(56), Brushed Nickel(57), Satin Nickel(60), Weathered Brass(70)
- Please see cleaning instructions for finish care and maintenance information.

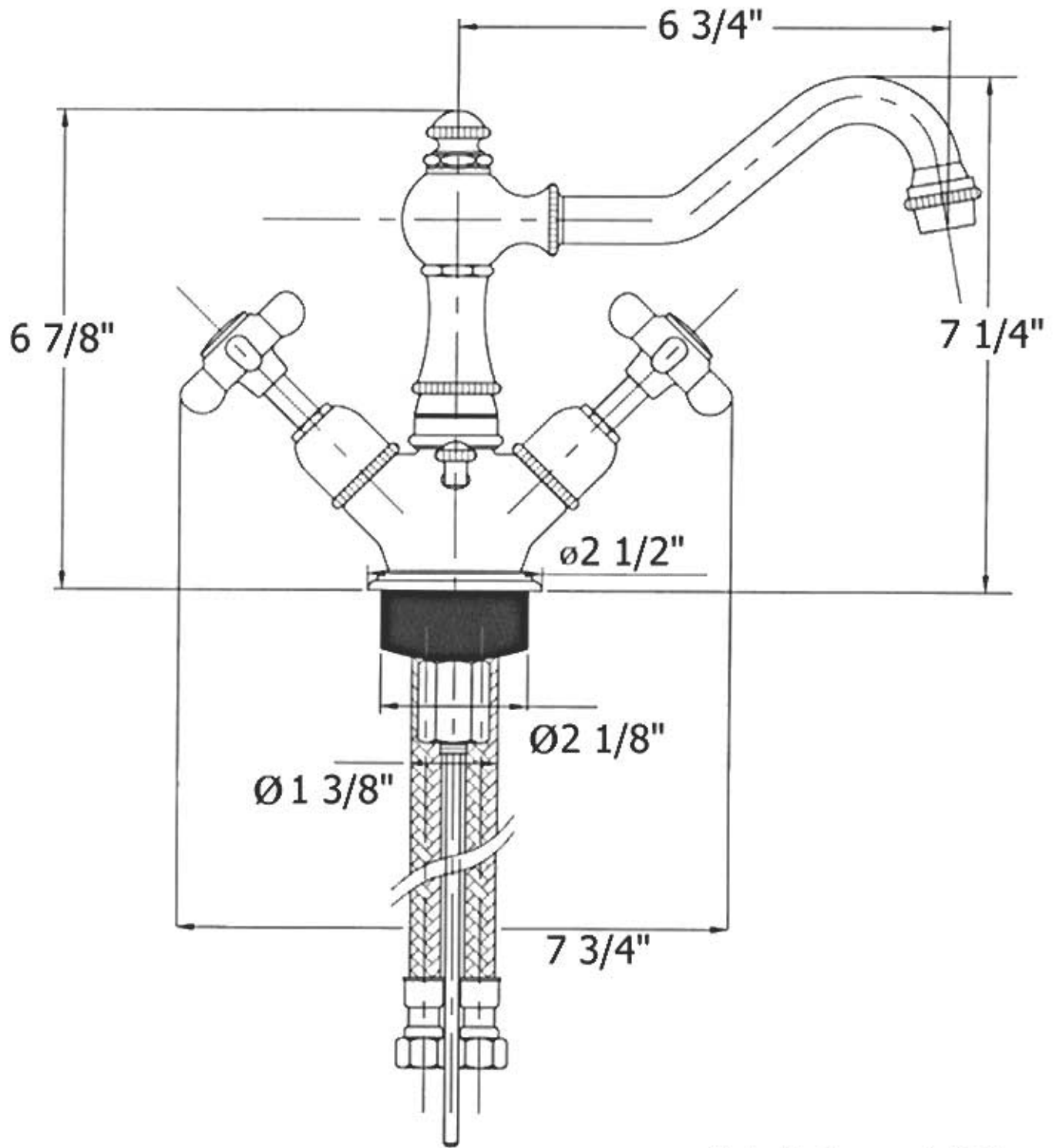
Please follow example when ordering parts for 'Royale' Mixer.

- To order part#03 – **Spout**
 - 9300103xx
- Please substitute finish number needed in place of **xx**.
- To order a part that is not finished use **00**

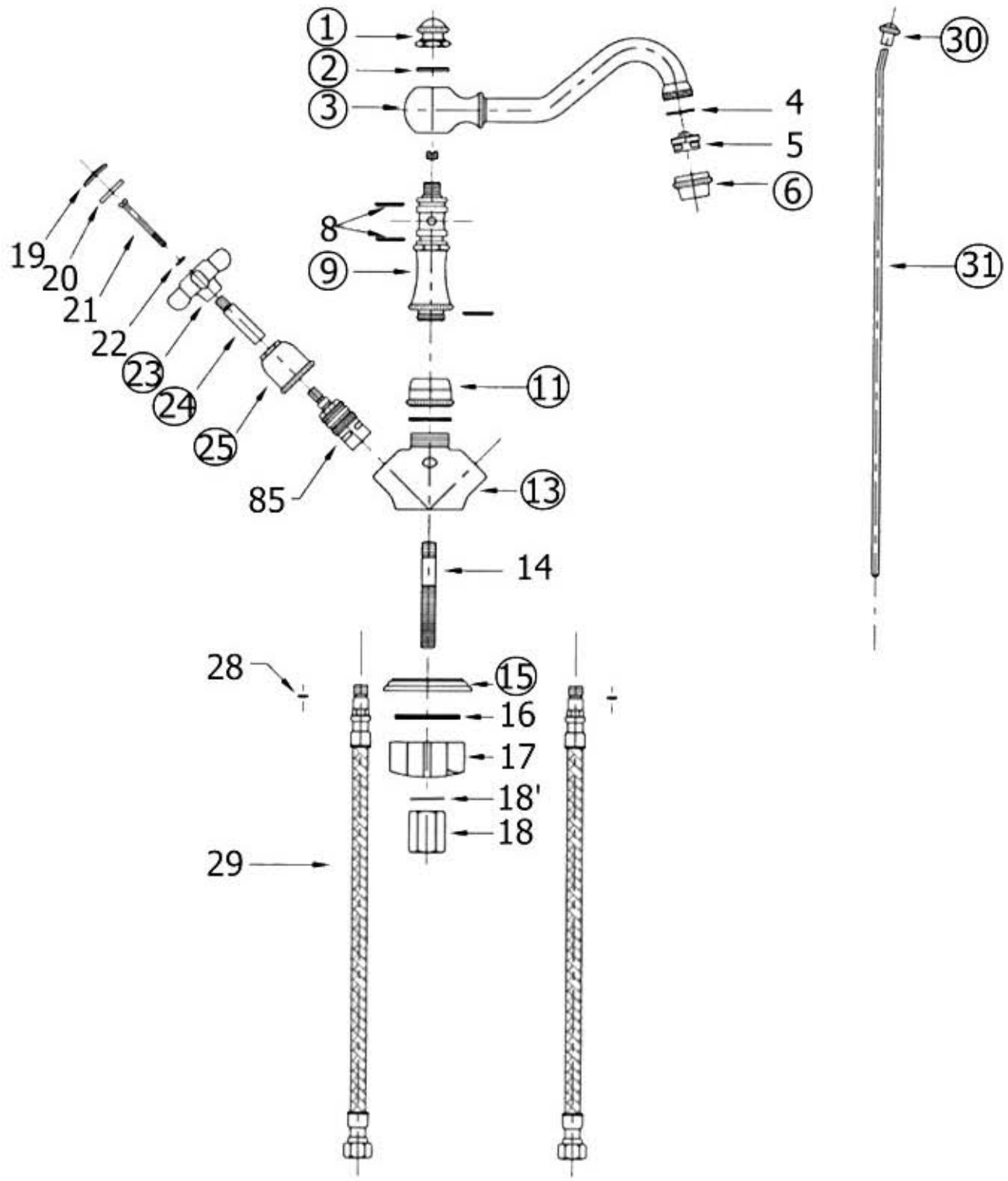


Herbeau[®]
L'Art du Sanitaire depuis 1857

3001 - 'Royale' Single Hole Basin Mixer with Pop Up Waste



3001 - 'Royale' Single Hole Basin Mixer with Pop Up Waste



○ - Finished Pieces