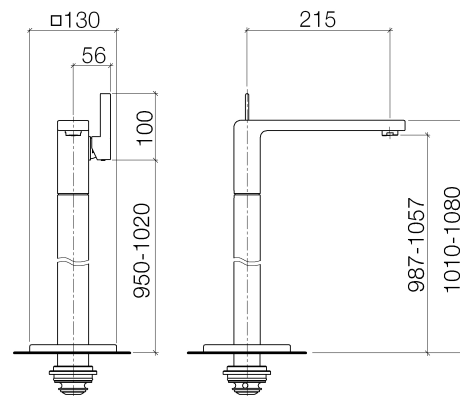




Product specifications

- **8 1/2" projection**
- M 24 x 1 aerator – male thread
- Total height 41 3/8 – 44"
- Lower body height 35 3/8 – 38 1/4"
- Height to aerator/spout outlet 39 – 41 3/4"
- Ceramic disc cartridge
- Riser with mounting flange
- Water flow rate limited to max. 1.5 gpm
- low lead compliant
- Flange 5 1/8 x 5 1/8"

[ADA]



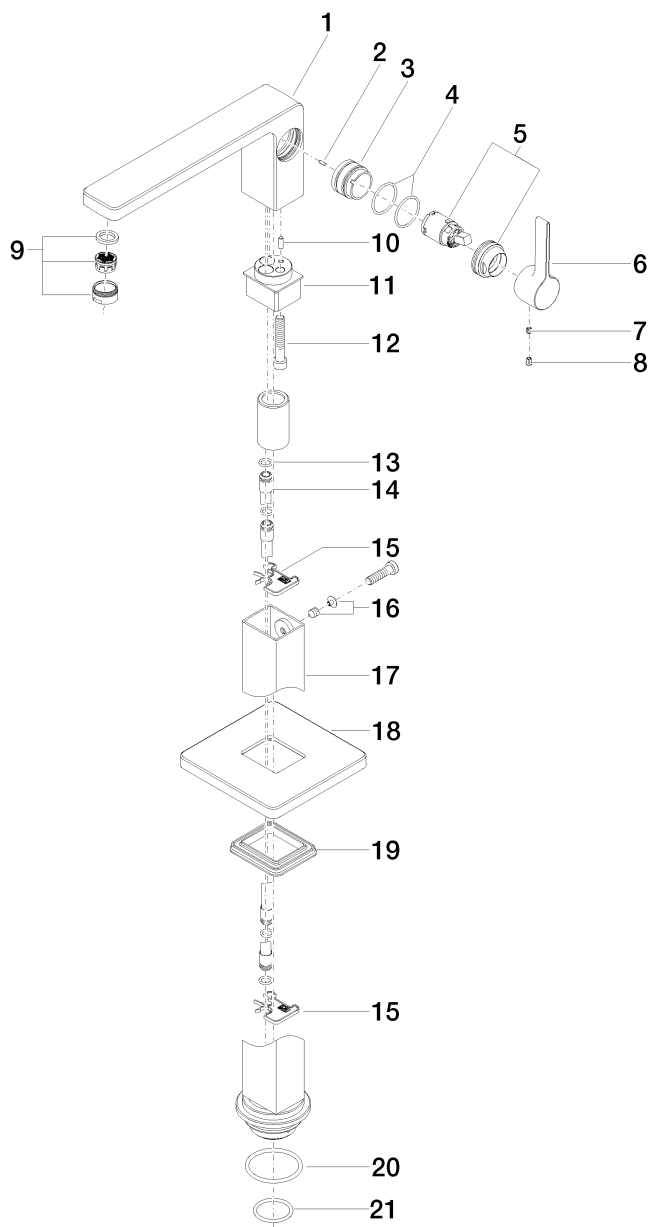
Surfaces

- | | |
|-----------------|-----------------|
| • chrome | 33584710-000010 |
| • chrome | 33584710-000010 |
| • matt platinum | 33584710-060010 |
| • matt platinum | 33584710-060010 |

Accessories required

- Rough for floor mounted spout/mixer; 35945970
- Rough for floor mounted spout/mixer; 35945970

Exploded assembly drawing



Order quantity

No.	Article number	Name	Installation quantity
1	09197102810ff	spout	1
2	09311111190	pin	1
3	0918400951090	sleeve	1
4	09141013790	seal	2
5	90150504100ff	cartridge	1
6	092071040ff	handle	1
7	09311103090	pin	1
8	09312001790	plug	1
9	90230111803ff	aerator	1
10	09311104090	pin	1
11	092403142ff	adaptor	1
12	09303011190	screw	1
13	09141013990	seal	2
14	0428220221090	connection	2
15	09209305190	holder	2
16	0431110020090	pin	1
17	04282202100ff	pipe	1
18	092771011ff	rosette	1
19	09140310790	seal	1
20	09141008490	seal	1
21	09141001890	seal	1

