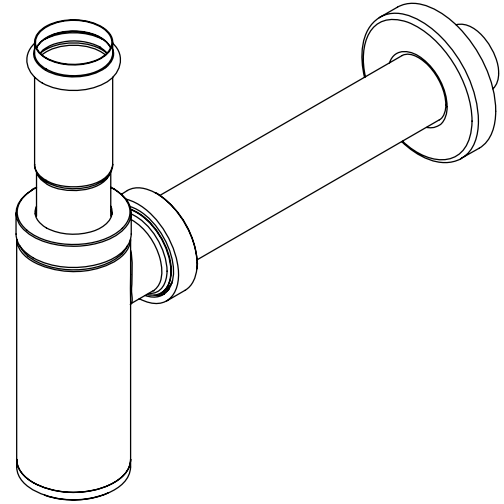
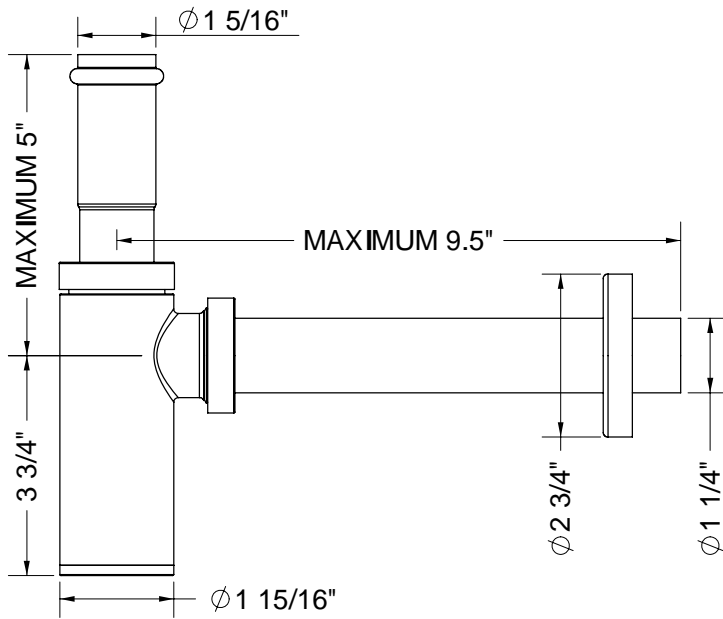


# Exposed Bottle Trap with Flange - Contemporary 9DBEPT3



TEL: 905-851-6781  
FAX: 905-851-8031  
TOLL FREE: 800-461-5901

the RUBINET FAUCET COMPANY

[www.rubinet.com](http://www.rubinet.com)