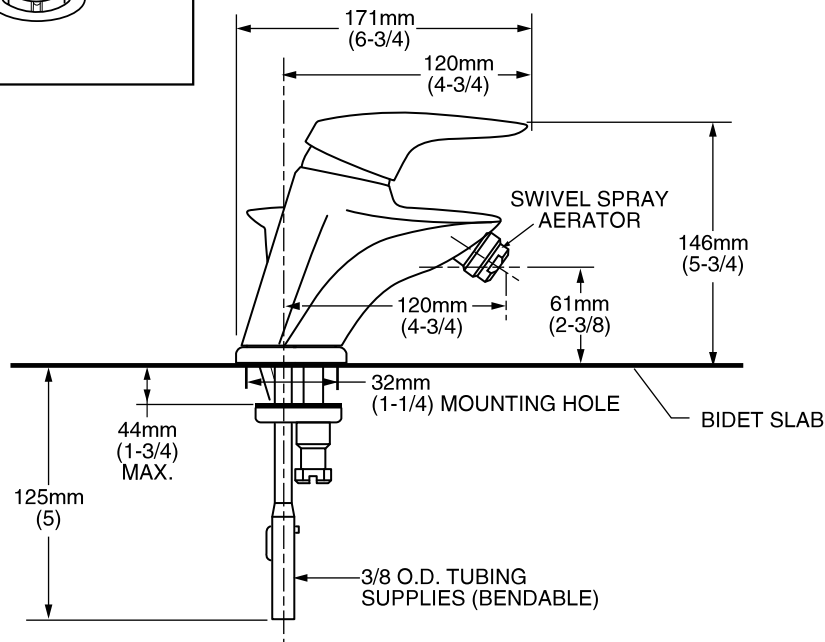


MODEL NUMBER:

- 2000.011 Bidet Fitting**
Pop-up drain. Swivel spray aerator.



GENERAL DESCRIPTION:

Cast brass body with metal lever handle. Washerless 47mm ceramic disc valve cartridge. Equipped with a hot limit safety stop. 3/8" O.D. copper supplies. 20 inch (500mm) long flexible stainless steel drain cable is pre-assembled to faucet body. Metal Speed Connect™ drain body with 1-1/4" (32mm) tail piece.

PRODUCT FEATURES:

- Brass and Copper Waterway:** Highest quality faucet materials for durability and long life.
- Ceramic Disc Valve Cartridge:** Assures a lifetime of drip-free performance.
- Adjustable Hot Limit Safety Stop:** Limits the amount of hot water allowed to mix with cold. Reduces the risk of accidental scalding.
- Exclusive Speed Connect Metal Drain:**
 - Fewer parts. Installs in less time.
 - No adjustments required - seals the first time, every time.
 - Flexible stainless steel cable - installs effortlessly in tight spaces.
- Choice of Finishes:** Available in Polished Chrome and Satin Nickel (PVD).

SUGGESTED SPECIFICATION:
Single control bidet fitting shall feature a cast brass body with metal handle. Shall also feature washerless ceramic disc valve cartridge. Fitting shall be equipped with a hot limit safety stop. Shall also feature a metal drain body with stainless steel cable actuation. Fitting shall be American Standard Model # 2000.011._____.