

MODEL: 200513-COLOR

SINKS FOR UNDER COUNTER

Under counter ceramic vessel with overflow

Codes/Standards Applicable

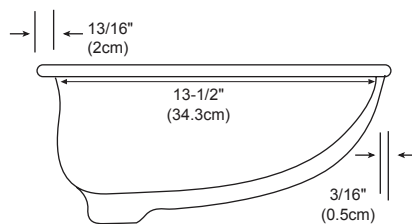
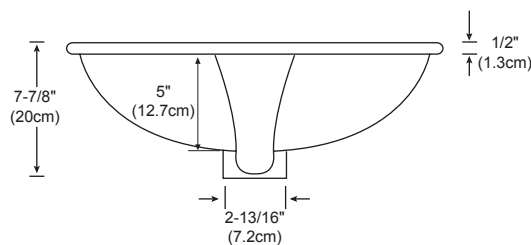
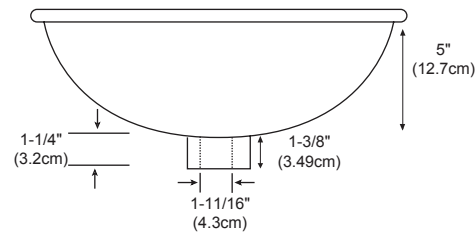
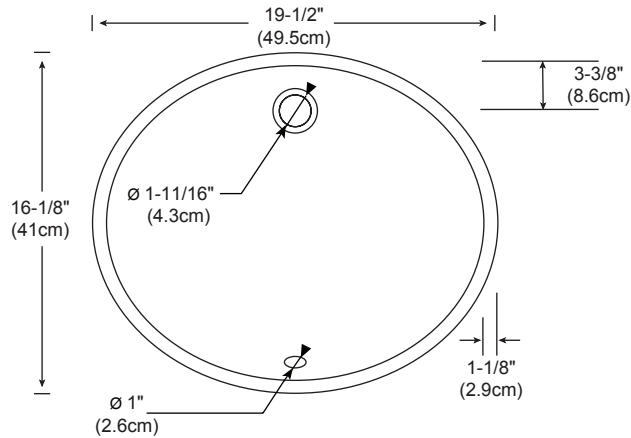
Specified model meets or exceeds the following:

- ASME A112.19.2
- IAPMO/cUPC®
- CSA B45
- CMR 248

Available Colors:

WHITE WH

BISCUIT BI



By IAPMO, ceramic lavatory warpage is defective only if warpage of flat slab out of horizontal plane exceeds 6.3 mm/m (0.25 in/ft) on all sizes OR warpage on back of lavatories that are attached to the wall exceeds 3 mm (0.13 in).