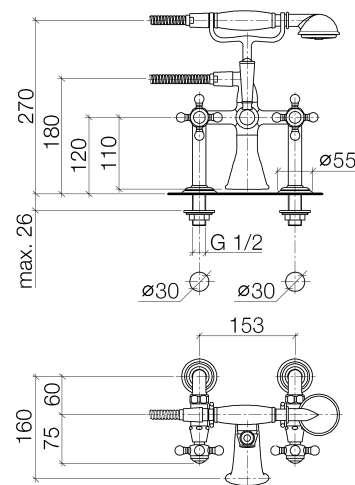




Product specifications

- **6 1/4" projection**
- Non aerated flow
- Back flow preventer in shower outlet
- Diverter
- 1/2" ceramic disc cartridge
- Hand shower bracket
- Hand shower with back flow preventer
- 49 1/4" shower hose with rotating hose connector
- Flanges, diameter 2 1/8"
- Center to center 5 7/8"
- Total height 10 3/8"
- 1 1/4" hole diameter
- Hand shower water flow rate limited to max. 2.38 gpm
- Internal backflow preventer.

NOTE: Local building codes may require the use of an anti-scald device. Please refer to remote pressure balanced valve (35 910 970 90)

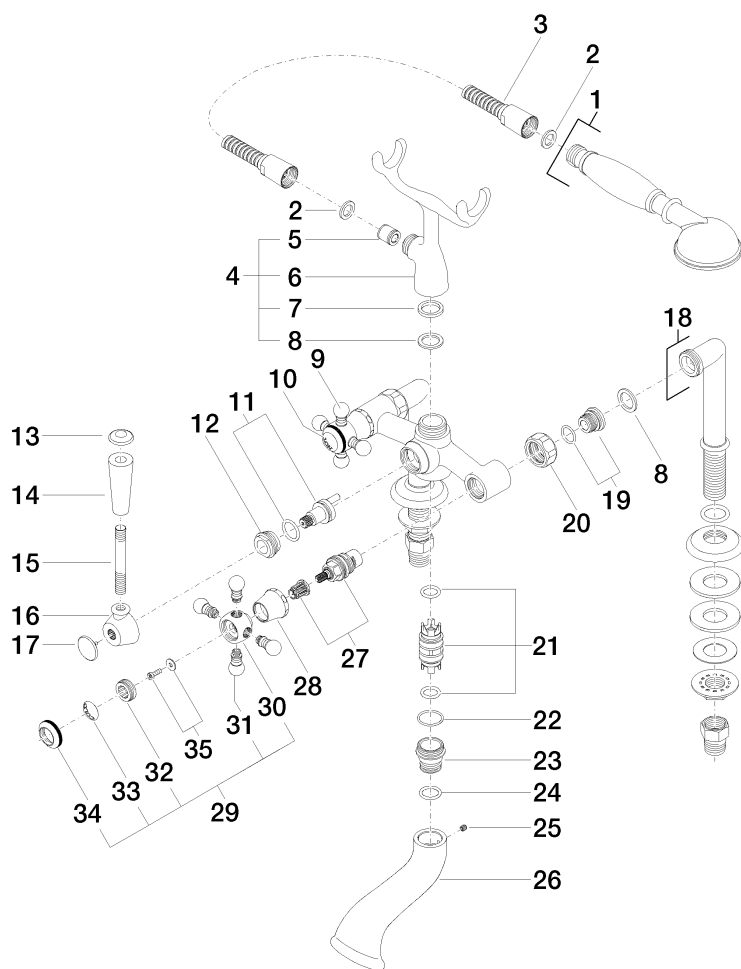




Surfaces

- chrome 25033360-00
- chrome 25033360-00
- matt platinum 25033360-06
- matt platinum 25033360-06
- platinum 25033360-08
- platinum 25033360-08
- brass 25033360-09
- brass 25033360-09

Exploded assembly drawing



Order quantity

No.	Article number	Name	Installation quantity
1	28002970ff	shower	1
2	09142000290	seal	2
3	28104970ff	hose	1
4	04172001000ff	holder	1
5	09230104090	back-flow preventer	1
6	091720010ff	holder	1
7	09140500890	seal	1
8	09142001090	seal	2
9	04203600207ff	handle (hot)	1
10	09260101190	accessories	1
11	0415010010090	diverter	1
12	09231000790	nut	1
13	093030062ff	screw	1
14	11170370ff	handle	1
15	09282201390	pipe	1
16	091820011ff	base	1
17	093030064ff	screw	1
18	12822970ff0010	connection	1
19	0429050140090	nipple	2
20	092330010ff	nut	2
21	0421100100090	insert	1
22	09141005690	seal	1
23	09240312390	nipple	1
24	09141002290	seal	1
25	09311103090	pin	1
26	091106033ff	spout	1
27	9090031310090	top	2
28	092102055ff	cover	2
29	04203600206ff	handle (cold)	1

Madison Two-hole tub mixer with hand shower set on pillars, for deck-mounted tub installation

Article number: 25033360



30	092036002ff	handle	2
31	092036004ff	handle	8
32	09208300690	handle	2
33	09260101090	accessories	1
34	092036005ff	handle	2
35	0430300290090	fixing set	2

Madison Two-hole tub mixer with hand shower set on pillars, for deck-mounted tub installation

Article number: 25033360

