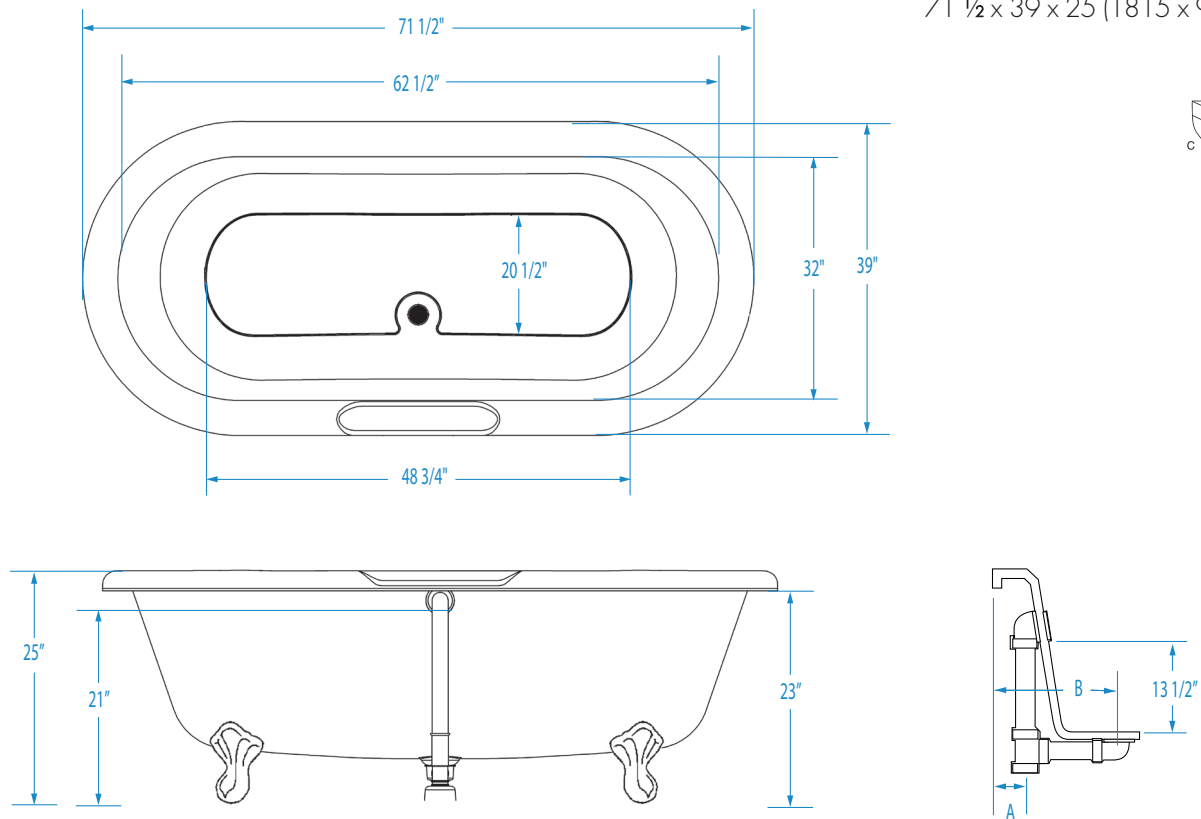


# SERENITY 46

71 1/2 x 39 x 25 (1815 x 990 x 635)  
inches (mm)



**FEATURES** lbs (kg) Dimensional Tolerance  $\pm 3/8"$ . Dimensions needed for site preparation should be measured from the unit. Aquatic assumes no responsibility for preparatory work.

Type and Model #	Material	Drain	Pkg. Wt.
Soaker #AIY6717TO	Acrylic	Center Front	194 (85)

## DIMENSIONS inches (mm)

Width Overall / Net	Depth Overall / Net	Height Overall / Net	Skirt Height
71 1/2 (1815)	39 (990)	25 (635)	-

## SUMP DATA inches (mm)

Capacity to Overflow gal (ltr)	Min. Operating Capacity gal (ltr)	WIDTH @ centerline		DEPTH @ centerline	
		Top	Bottom	Top	Bottom
79 (300)	-	62 1/2 (1590)	48 3/4 (1240)	32 (810)	20 1/2 (520)

## PLUMBING DIMENSIONS inches (mm)

A	B	Drain Diameter / Clearance
2 (50)	11 3/4 (300)	

### NOTES:

1) Where applicable, utilize cut-out templates packed with unit for deck cutouts.

2) 16 x 16 (405 x 405) minimum access required at pump/blower location(s).