

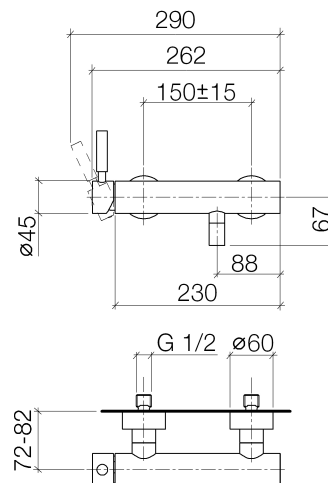
Product specifications

- Back flow preventer in shower outlet
- Ceramic disc cartridge
- **3/8" shower outlet**
- Flanges \varnothing 2 3/8"
- Required adaptors (2 x 35 080 970-90 0010) to be ordered separately
- Center to center 5 7/8"

Internal backflow preventer.

For shower hose with a 1/2" connection, please order adapter 12 202 979-FF

Only for combination with 26 403 625-FF / 26 402 625-FF / 27 805 625-FF / 27 806 625-FF



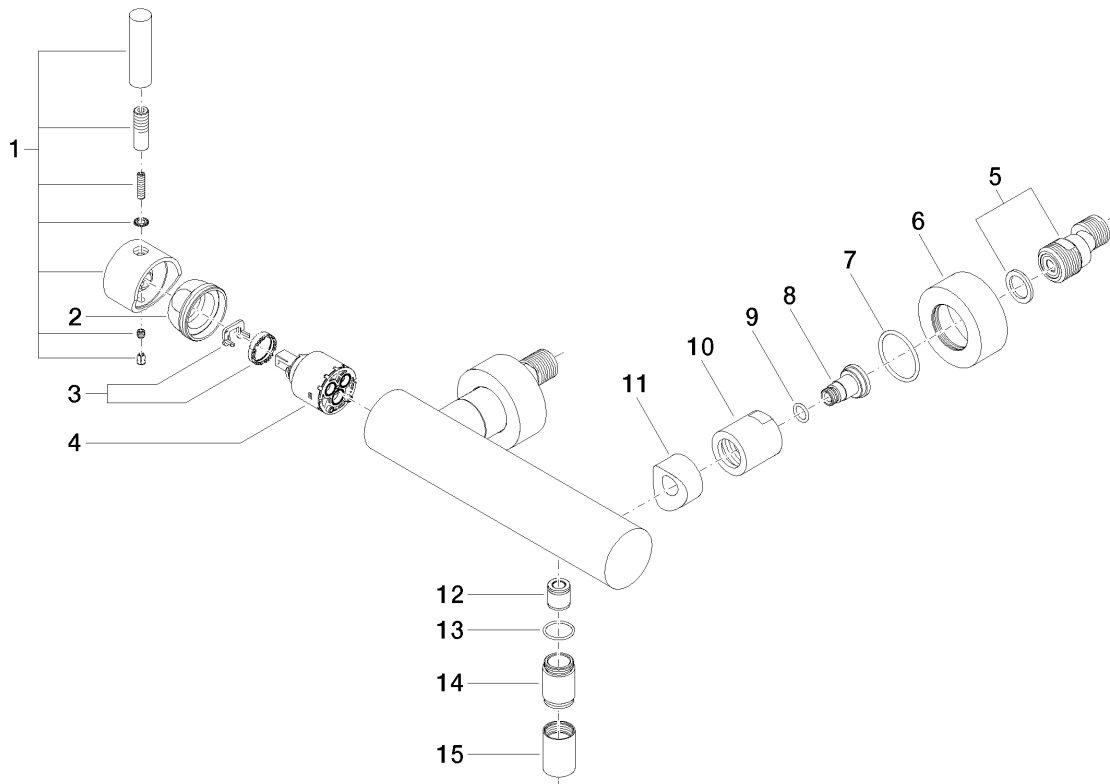
Surfaces

- | | |
|-----------------|-------------|
| • chrome | 33300625-00 |
| • chrome | 33300625-00 |
| • matt platinum | 33300625-06 |
| • matt platinum | 33300625-06 |

Accessories required

- Hand shower set; 26403625
- Hand shower set; 26403625
- Hand shower set; 26402625
- Hand shower set; 26402625

Exploded assembly drawing



Order quantity

No.	Article number	Name	Installation quantity
1	90206204000ff	handle	1
2	09311103090	pin	1
3	0428101480090	accessories	1
4	09150506290	cartridge	1
5	0411040300090	connection	2
6	092762004ff	rosette	2
7	09141011990	seal	2
8	092905005ff	nipple	2
9	09141000890	seal	2
10	092310048ff	nut	2
11	091840059ff	sleeve	2
12	09230104090	back-flow preventer	1
13	09141003290	seal	1
14	092403115ff	nipple	1
15	092102069ff	cover	1

