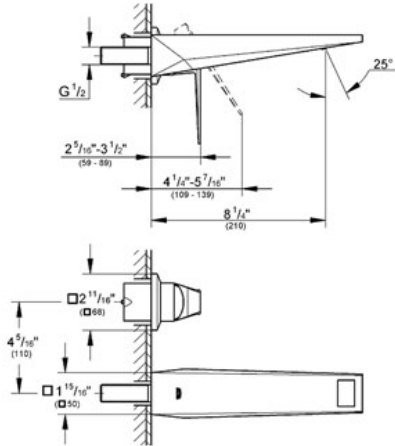


ALLURE BRILLIANT Two-Hole Basin Mixer M-Size

MODEL # 19784

GROHE America, Inc | 200 North Gary Avenue, Suite G, Roselle, IL 60172
Phone: +1 (800) 444-7643 | Fax: +1 (800) 225-2778 | us-customerservice@grohe.com

Pure Freude an Wasser



Product Description: Two-Hole Basin Mixer M-Size

Standard Specification:

- GROHE StarLight® finish
- GROHE EcoJoy® technology for less water and perfect flow
- GROHE WaterCare® technology -1.5 gpm
- Wall mount
- Set for final installation for 23 254 000
- Without concealed body
- Spout with integrated flow control
- 8 1/4" Spout/Aerator Reach
- Solid Brass Construction

Applicable Codes & Standards:

- Energy Policy Act of 1992
- NSF 61
- ASME A112.18.1/CSA B125.1
- US Federal and State material regulations
- EPA WaterSense®
- ICC/ANSI A117.1
- CalGreen

Color:

- 19784 000 chrome