

ATHENS 67" CAST IRON TUB

Cat. No.
CTSQH67



L: 67"
W: 31"
H: 24 3/4"
(from floor to top of tub)

The following is recommended for CTSQH tubs with faucet holes:

- Rim-mounted faucet: **Part #4601 or 7529**
- Straight bath supplies: part **#5577**
- Leg tub drain: part **#5599**

Gallon Capacity: 55
Shipping Weight: 560 lbs.
Empty Weight: 360 lbs.
Filled Weight: 785 lbs.

Features:

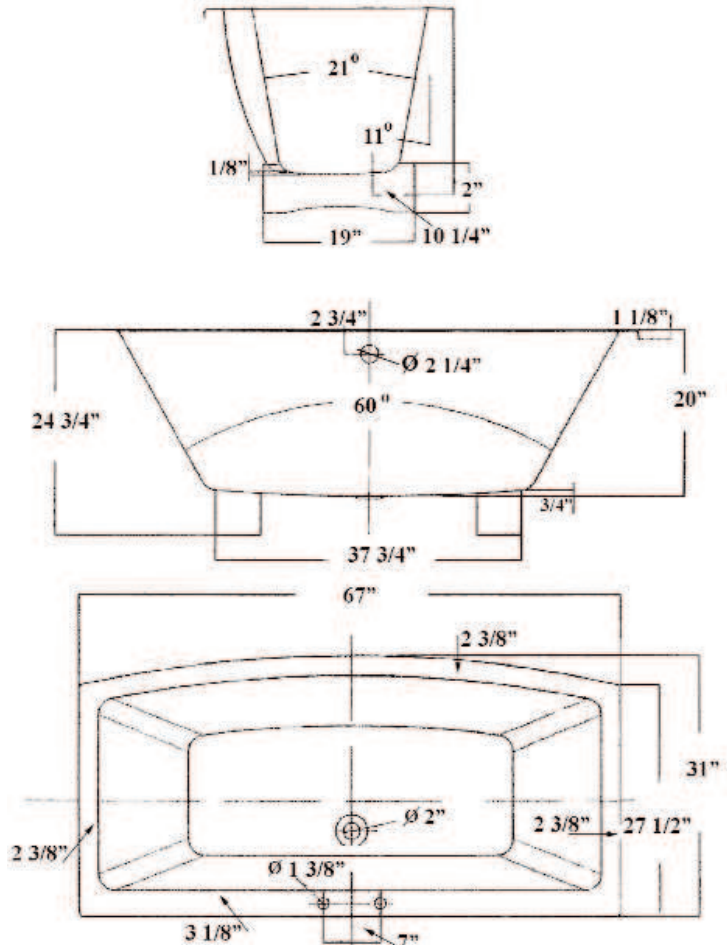
- ▶ Inside finish is white enamel
- ▶ Tub exterior is white (epoxy)
- ▶ Non-skid strips
- ▶ 7" centers in tub deck
- ▶ Ebony colored wooden laminate block feet with protective urethane coating

Meets or exceeds the following specifications: A112-19-1M 1994.

Extra Paint Charge:
(inside of tub is always white enamel)

Bisque Paint - \$160 **Black Paint - \$160**

Bathtubs painted in bisque or black are considered "special order" and are not returnable.



Dimensions of fixture are nominal and may vary within the range of tolerances established by ANSI Standard A112.19.2. Dimensions and specifications subject to change without notice.