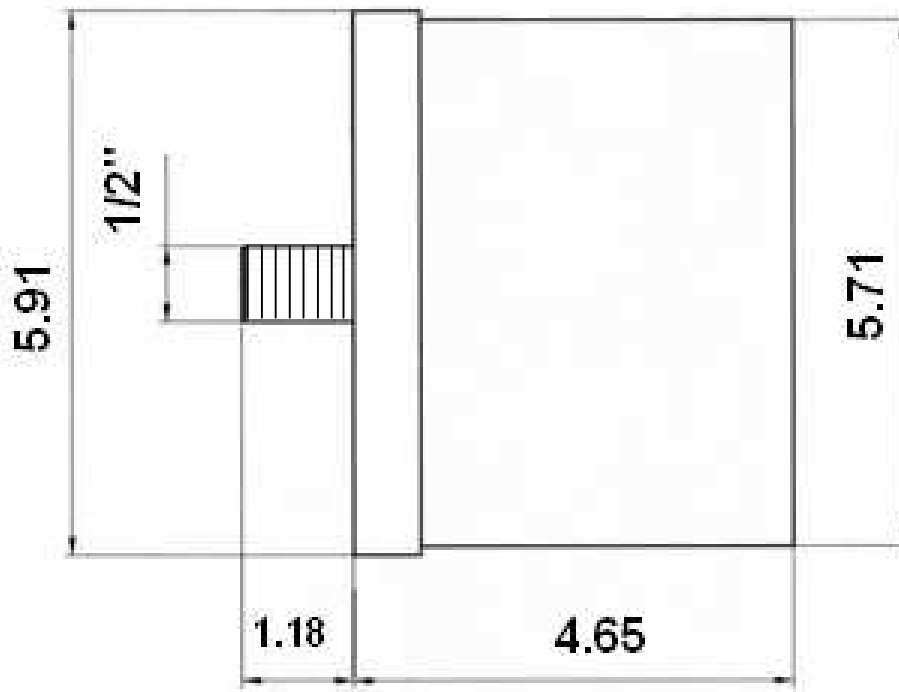
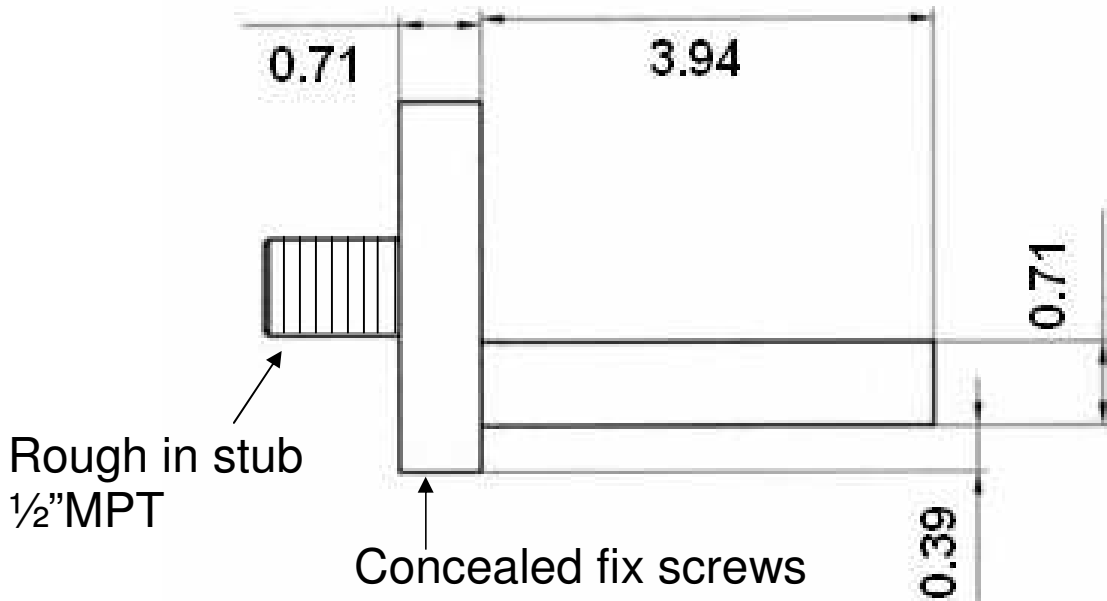


ARTOS[®]

Quarto Tub Filler Wall Mount

F202-1



5708 F Street, Omaha, NE 68117 USA
Tel: 402.397.3344 □ Fax: 402.731.1473
info@artos-westover.com

WESTOVER
COMPANY