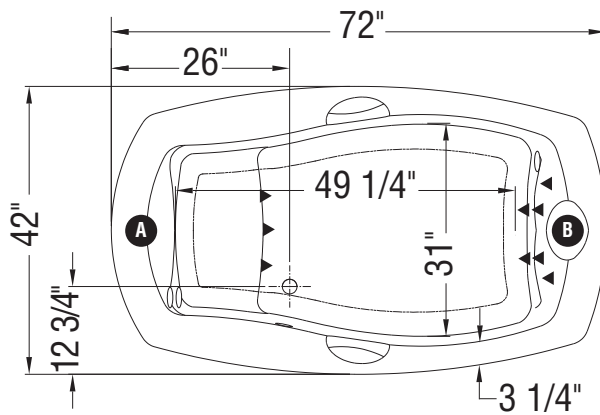
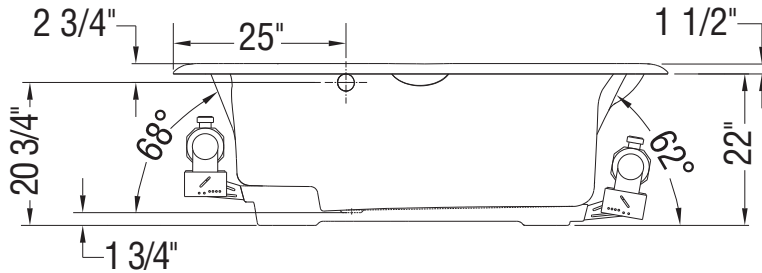
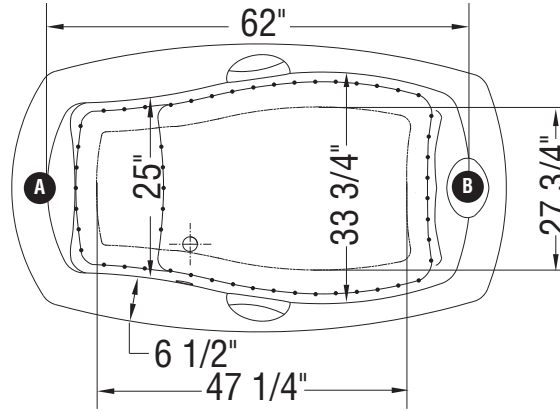


WHIRLPOOL SYSTEM



AIR SYSTEM



Note: A or B pump location could exceed by one in. on combo.

Note: For deck-mount faucet installation, install faucets on same side as the overflow.

(A) (B) : Specify blower and/or pump location when ordering

(○) : Indicates whirlpool jets positioning

(•) : Indicates airjets positioning

(▲) : Indicates backjets and foot jets positioning

All dimensions are approximate. Structure measurements must be verified against the unit to ensure proper fit.