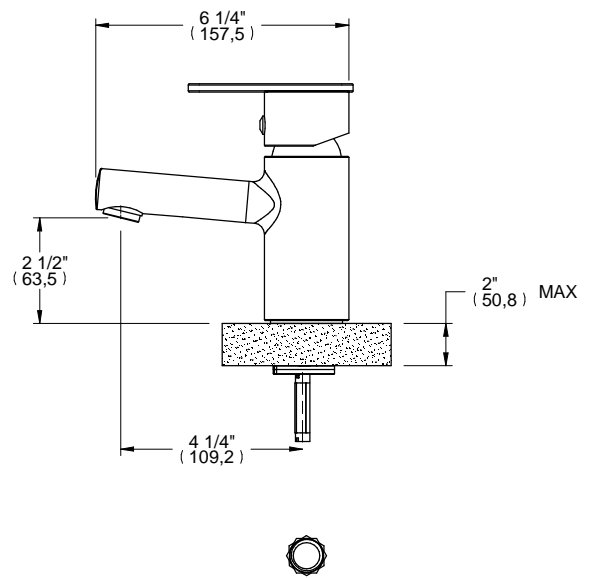
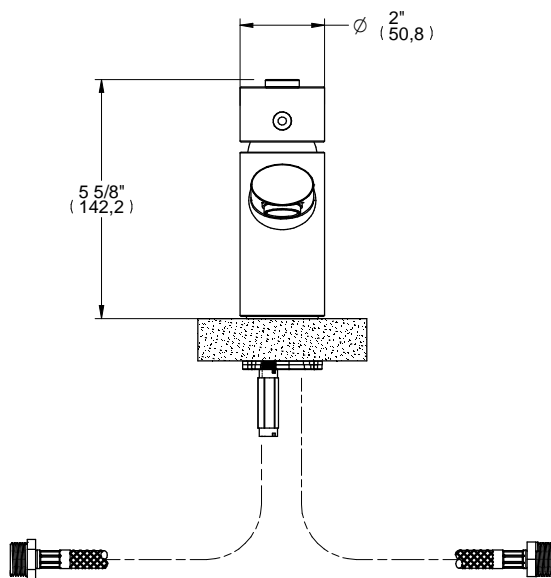




*CAL*Green



L1



ALTMANS RESERVES THE RIGHT TO MODIFY AND CHANGE SPECIFICATIONS AT ANY TIME. PLEASE VERIFY DIMENSIONS PRIOR TO INSTALLATION.

**Features**

- Available in Chrome & Xsn
- Low Lead Brass Construction
- Ceramic Cartridge
- Flexible Connections for Easy Installation
- 15" Hose reach

**Through-Hole Specifications**

Spout:  $\varnothing 1 \frac{1}{4}"$  MAX

DIMENSIONS SHOWN TO NEAREST 1/16"