

MODEL: 010123-1-FINISH
 010123-3-FINISH
 010131-1-FINISH
 010123-3-FINISH

010136-1-FINISH
 010136-3-FINISH

WALL-HUNG COLLECTION

Optional Wood or Frosted Glass drawer front
 Soft Close and Full Extension drawers with Dovetail Construction
 Matching Finish throughout the Interior
 Extend design with Optional 12", 15" & 18" Drawer Bridge and 15" Shelf Bridge
 Matching Mirror, Medicine Cabinet and Wall Cabinet

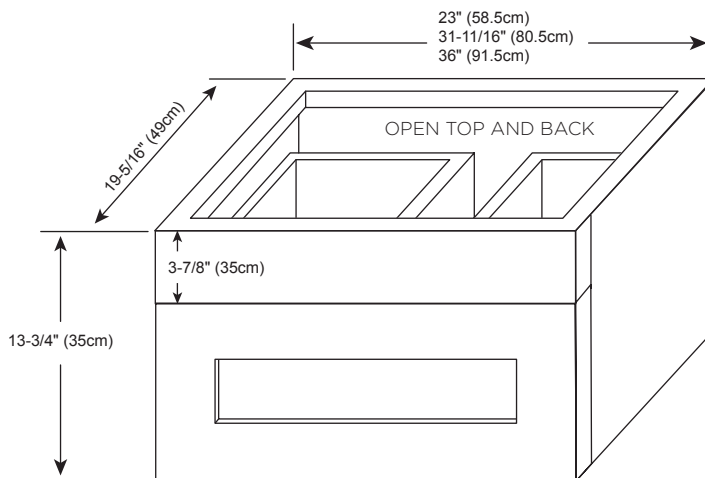
All Ronbow cabinets are made of solid hardwood or hardwood plywood and meet strict CARB Standards.
 No particle Board or Micro-Density Fiberboard (MDF) are used.

Available finishes:
 DARK CHERRY H01
 CINNAMON F08
 BLACK B02

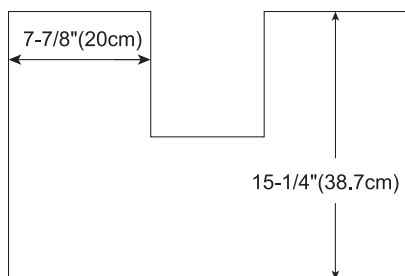
Available fronts:
 FROSTED GLASS FRONT
 WOOD FRONT

Available tops:
 CERAMIC SINKTOP
 GLASS SINKTOP
 TECHSTONE™ TOP
 WIDEAPPEAL™ TOP

FRONT VIEW



TOP VIEW INSIDE DIMENSIONS



FRONT DRAWER VIEW

