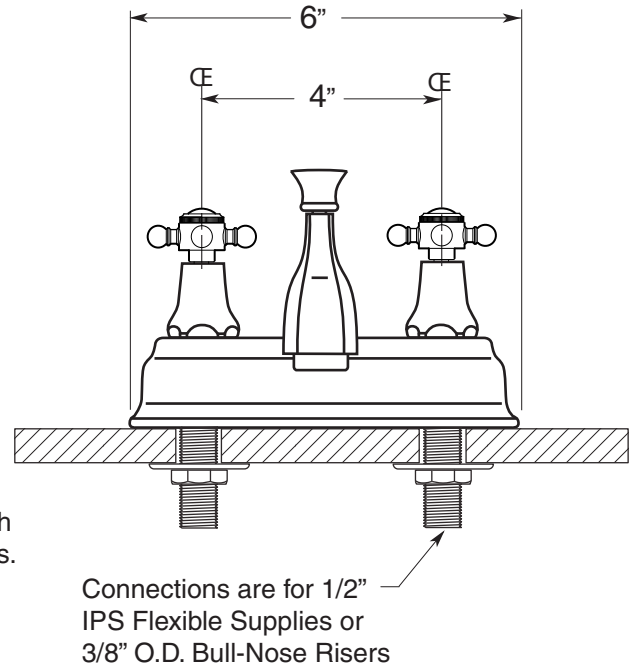
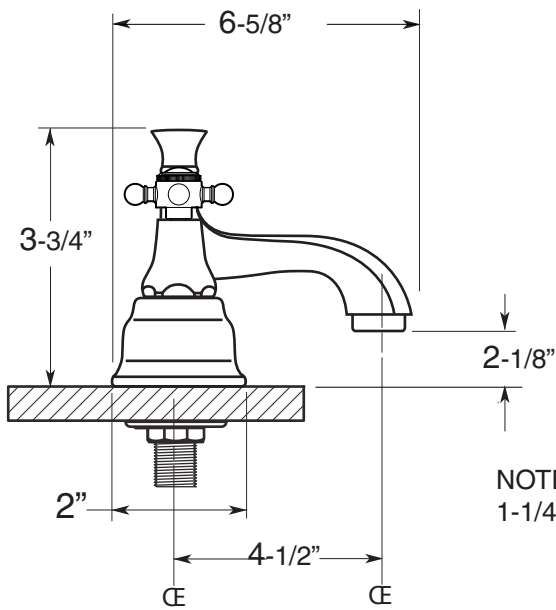


FEATURES:

- All brass construction.
- Includes pop-up drain assembly with overflow
- Available in all Sigma finishes
- Not all handles fit this application
- Maximum deck thickness: 3/4"
- Replacement cartridge: 18.30.029-cold, 18.30.030-hot
- Meets: ASME A112.18.1-2005/CSAB125.1-2005

SPECIFICATIONS
Specialty Fittings

4" Centerset w/Hexagonal Spout
1.000903
Salem Handle



Note: Measurements are subject to change or cancellation. No responsibility is assumed for use of superseded or voided pages.