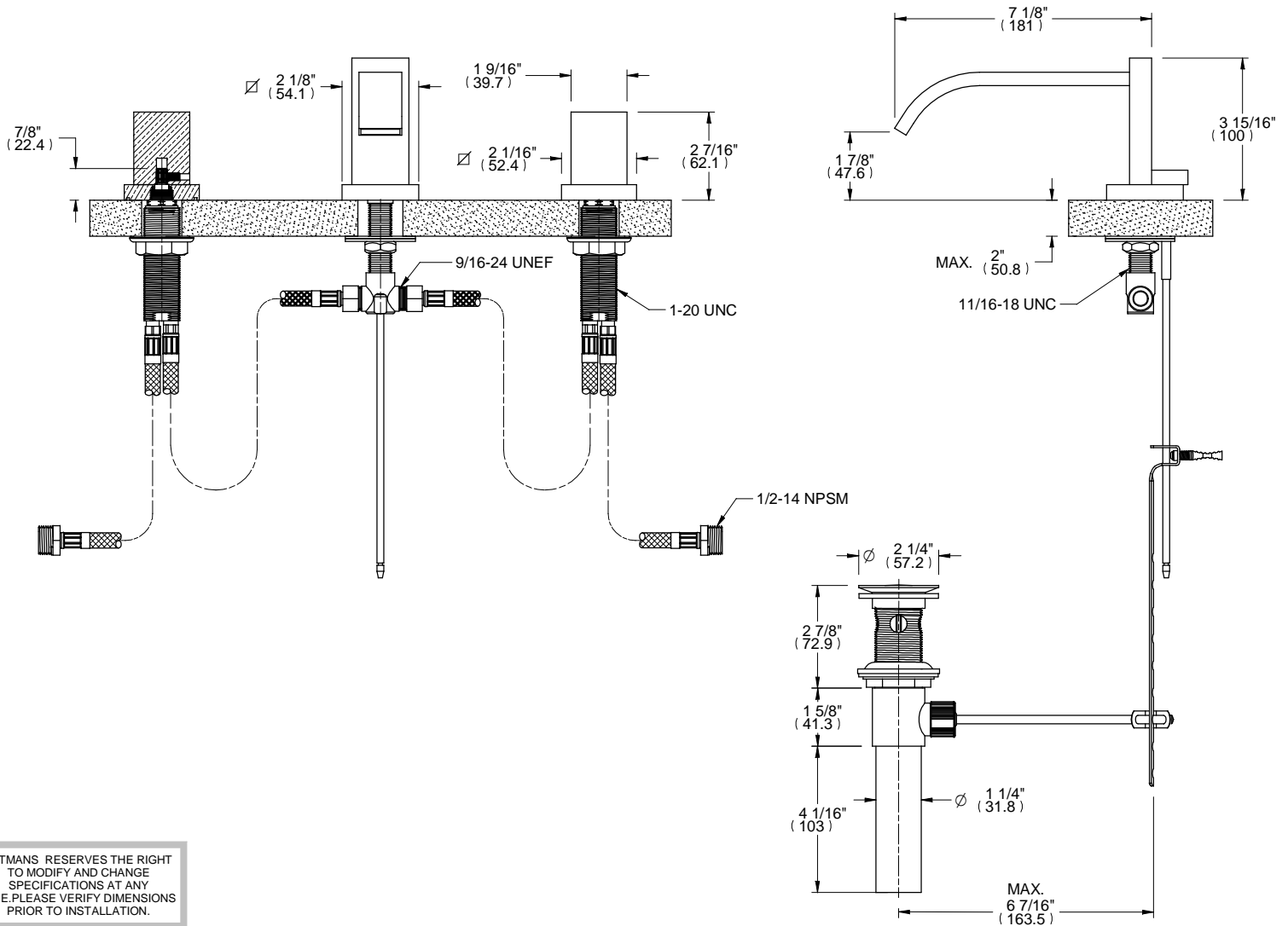


L1



ALTMANS RESERVES THE RIGHT TO MODIFY AND CHANGE SPECIFICATIONS AT ANY TIME. PLEASE VERIFY DIMENSIONS PRIOR TO INSTALLATION.

- Features**
- Available in All Finishes
 - Low Lead Brass Construction
 - 1/4 Turn Ceramic Disc Cartridge

- Through-Hole Specifications**
- Spout: $\varnothing 1 1/4"$ Max.
 - Valve: $\varnothing 1 1/4"$ Max.

DIMENSIONS SHOWN TO NEAREST 1/16"