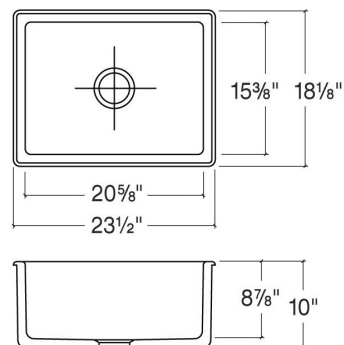


**085100 Nantucket**

Project name: \_\_\_\_\_

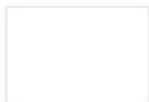
Specifier: \_\_\_\_\_ Contractor: \_\_\_\_\_



**Features**

- Handcrafted in England
- Made from heavy fireclay – Solid throughout
- Up to 40 hours of gradual drying period
- Fired at more than 1200°C – 2200°F
- 30 mm (1-1/8") material thickness \*
- 10 mm (3/8") corner radius\*
- Center 3-1/2" drain placement
- Scratch and chip resistant
- Waste disposal unit compatible
- ( \* dimensions may vary by +/- 2% )

**Available colours**



White  
085100

**Standards compliance**

- ASME A112.19.2
- CSA B45.0
- CSA B45.1

**Optional accessories**

- Grid 200243

**Sink dimensions**

Model	Overall	Bowl	Depth	Cabinet Size*	Drain
<b>085100</b>	23 1/2" x 18 1/8"	20 5/8" x 15 3/8"	8 7/8"	30"	3 1/2"

\* Cabinet Size is the Recommended Cabinet Size

**Product specifications**

Sink to be undermount single bowl. Sink to be manufactured from heavy fireclay - solid throughout. Sink to be fired at more than 1200C - 2200F. Sink to feature 10mm (1-5/8") corner radiuses & 30mm thickness material. Sink to feature center drain placement. Sink to be compatible with waste disposal units. Sink overall dimensions\* to be 23 1/2" left-to-right and 18 1/8" front-to-back. Bowl dimensions\* to be 20 5/8" left-to-right and 15 3/8" front-to-back. Sink to be Julien Fireclay collection with bowl depth of 8 7/8". ( \* dimensions may vary by +/- 2% )

**Warranty**

Julien inc. offers a 1-YEAR LIMITED WARRANTY against manufacturing defects and a 10-YEAR LIMITED WARRANTY on fading/staining issues on its fireclay sinks. For further details on our product warranty, please refer to our catalog or Web site.