

Carli

A majestic tub with style and appeal, the crisp lines and oval design of the Carli capture a unique design and feel. The Carli is a bold tub that makes a statement.

Available Sizes:

60"L x 36"W x 19"D
 45 Gallons



Acrylic Tub – construction features

Acrylic models finished in 1/8" thick layer of deep lustrous acrylic.

Extra thick reinforced fiberglass.

Pre-wired pump on pump platform (standard pump location only)

Integral E-Z Level platform facilitates installation.

Non-skid bottom.

PVC Systems – include:

6 Fully directional adjustable PVC jets

Anti-vortex safety suction.

Color matched system trim

Hydrozone ozone sanitation system

Rigid PVC piping

Self draining pump and system

Soft Touch electronic on/off control with 30-min. integral timer

2.25 HP Single Speed Pump

Cable waste & overflow

Hydro Systems – Options:

Available as Tub only, Thermal Air, Whirlpool or Combo

Microban Antibacterial Protection

Extra High Density Fiberglass

Custom jet and pump locations

Armrests available

Plated Metallic finish

Additional directional Jets

Swirling, Rotating, or Jumbo Jets

Micro Therapy Jet

Integral Waste & Overflow

1.5 HP Variable Speed Pump (digital temperature display optional)

Electronic low water protection

In-line Heater

Chromatherapy-LED Lighting System

Chromatherapy-LED Mini Spotlights

Mood Light

Grab Bars

Back Masseur

Neck Masseur Pillow

Hydro Fusion

Hydro Coat

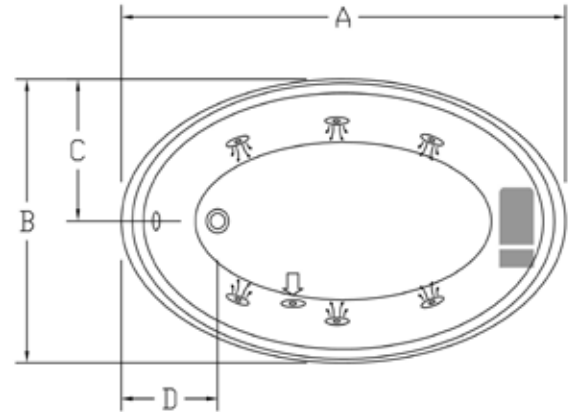
Hydro Express quick ship

Approvals & Listings

Commonwealth of Massachusetts
 UPC & USPC - US & Canada







Carli

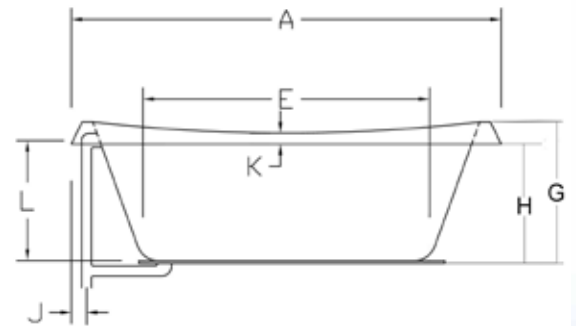
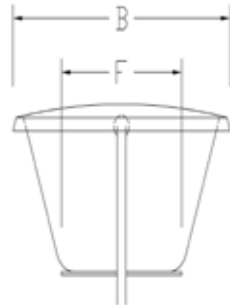


AS SHOWN:
Whirlpool option w/ standard jets

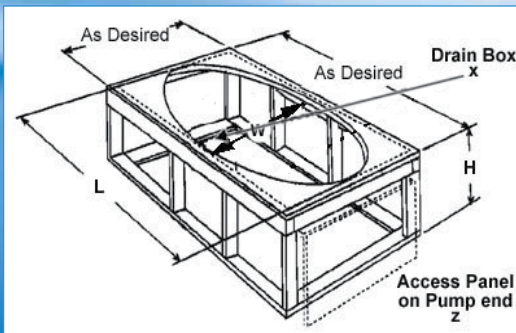
Must be set in Mortar Base

ALSO AVAILABLE:
Soaking Tub Only,
Thermal Air, Combo

-  Pump motor
-  Jets
-  Anti-vortex suction
-  Overflow location



Model	GC	AC	A	B	C	D	E	F	G	H	I	J	K	L	M	Jet	Pump	Wat.Cap.
6036	N/A	√	60"	36"	18"	11"	40"	25"	19"	17"	2"	1½"	½"	17¾"	1¾"	6	2.25	45 gal.
Amp	Volt	Breaker		Dedicated Service														
13.5	120	20 amp		GFCI Protected														



Island Drop-In

Model	(L)ength	(W)idth	(H)eight Finish
6036	58"	34"	18"

Disclaimer: Certain options or altering the pump/blower location may cause the pump/blower to extend beyond the tub decking. For cutout dimensions wait for unit to arrive. All specifications subject to change without notice.