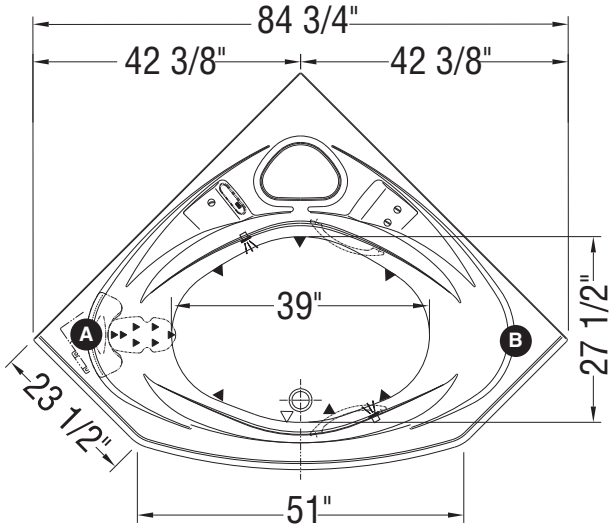
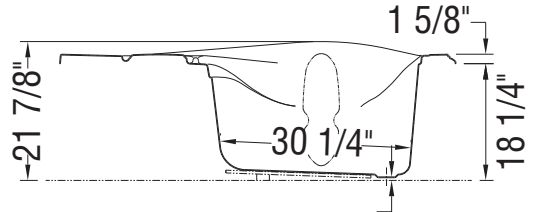
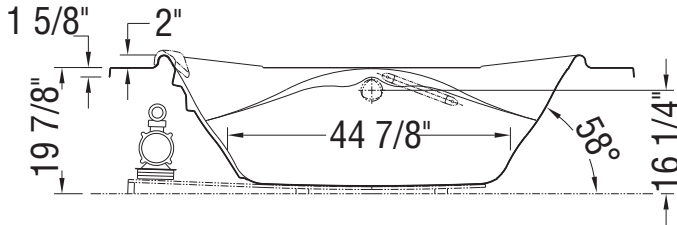
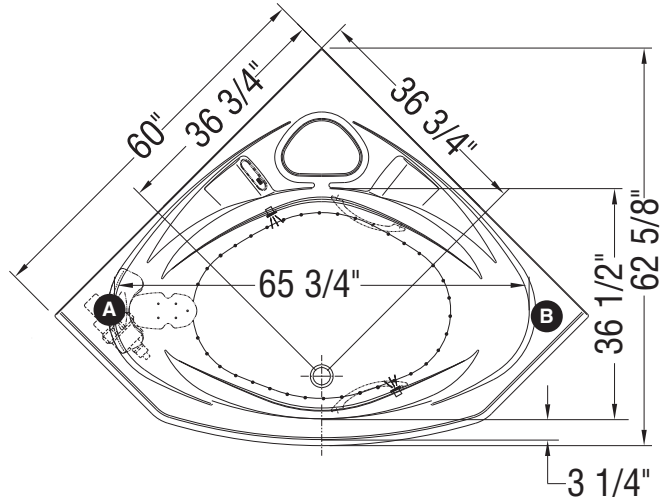


## WHIRLPOOL SYSTEM



## AIR SYSTEM



**A** : Specify blower and/or pump location when ordering

**B** : Indicates whirlpool jets positioning

(▲) : Indicates suction positioning

(●) : Indicates airjets positioning

(—) : Indicates standard grab bar positioning

(☼) : Indicates chromatherapy light positioning

Bathtub base includes anti-vibration Neutra-Phone leg supports (not shown).

**All dimensions are approximate. Structure measurements must be verified against the unit to ensure proper fit.**