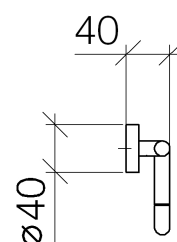
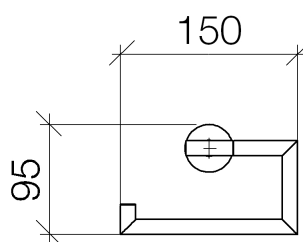




Product specifications

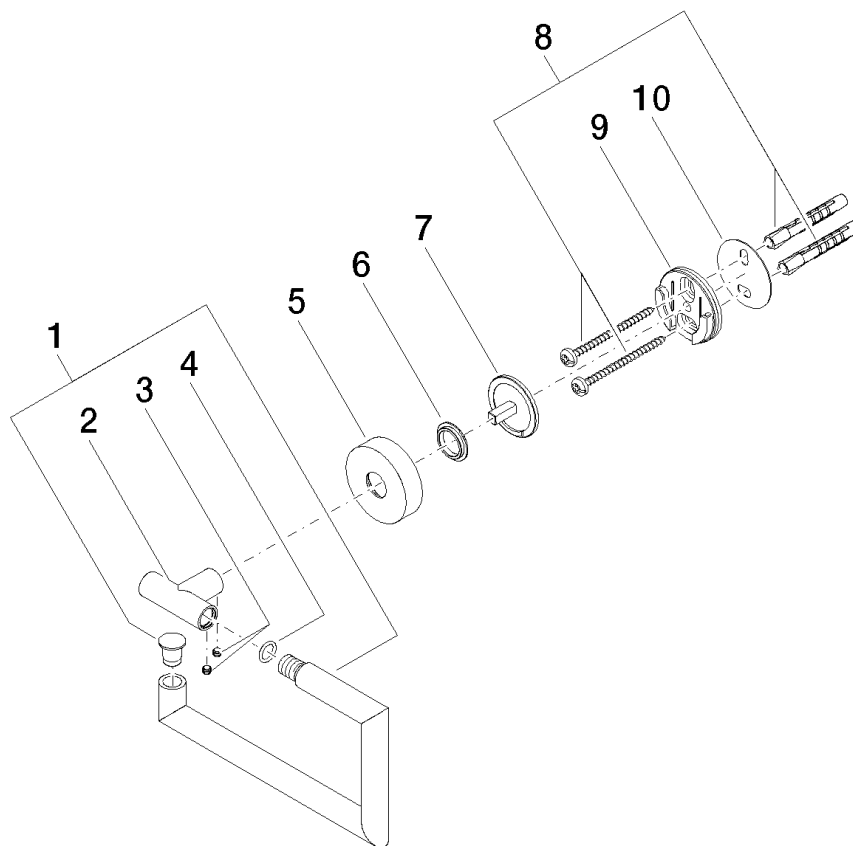
- Width 5 7/8"
- Height 3 3/4"
- Flange diameter 1 5/8"
- 1 5/8" projection



Surfaces

- | | |
|-----------------|-------------|
| • chrome | 83500979-00 |
| • chrome | 83500979-00 |
| • matt platinum | 83500979-06 |
| • matt platinum | 83500979-06 |

Exploded assembly drawing



Order quantity

No.	Article number	Name	Installation quantity
1	90282262600ff	holder	1
2	05179756101ff	holder	1
3	09311103890	pin	2
4	09141006090	seal	1
5	082797500ff	rosette	1
6	08301151690	ring	1
7	08179755990	holder	1
8	0530310250090	fixing set	1
9	08179750107	holder	1
10	08301151990	disc	1