

Date:

Client:

Project:

VOLA product: 500MT1-590M



500MT1-590M

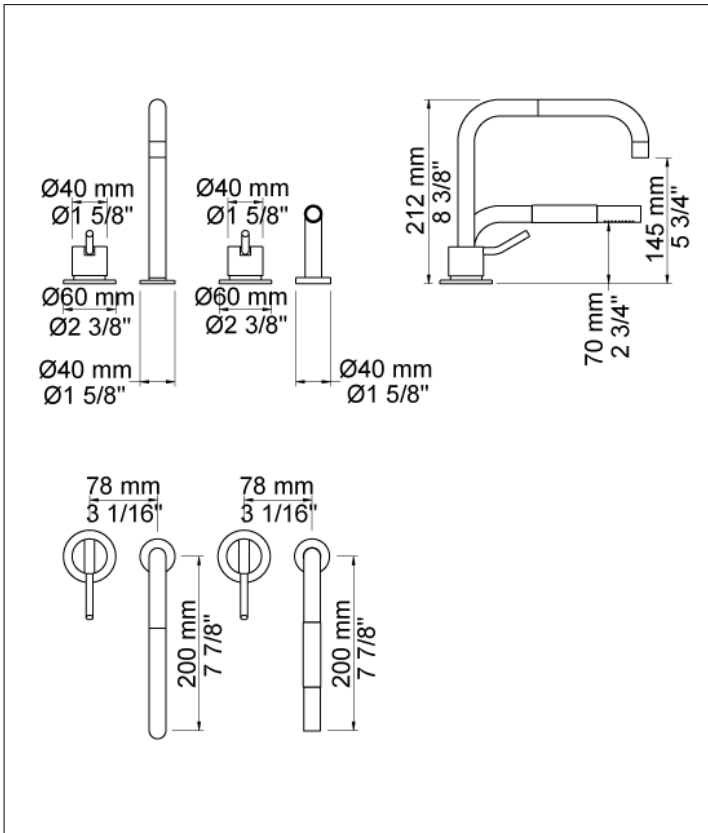
One-handle mixer 500 with ceramic disc technology, for table mounting with medium lever and with hand shower T1. One-handle mixer 500 with ceramic disc technology, with medium lever, with 360° double swivel spout 090 with water saving aerator.

Flow

	Bar:	1,0	2,0	3,0	4,0	5,0
090	(l/min)	5,8	8,2	9,0	9,0	9,0
T1	(l/min)	6,4	9,0	11,0	12,7	14,2

Available in colours

- Color 02, Grey
- Color 04, Light blue
- Color 05, Orange
- Color 06, Light green
- Color 08, Yellow
- Color 09, Dark grey
- Color 12, Mocca
- Color 14, Bright red
- Color 15, Dark blue
- Color 16, Polished chrome
- Color 17, Gloss black
- Color 18, White
- Color 19, Natural brass
- Color 20, Brushed chrome
- Color 21, Carmine red
- Color 25, Pink
- Color 27, Matt black
- Color 40, Brushed stainless steel

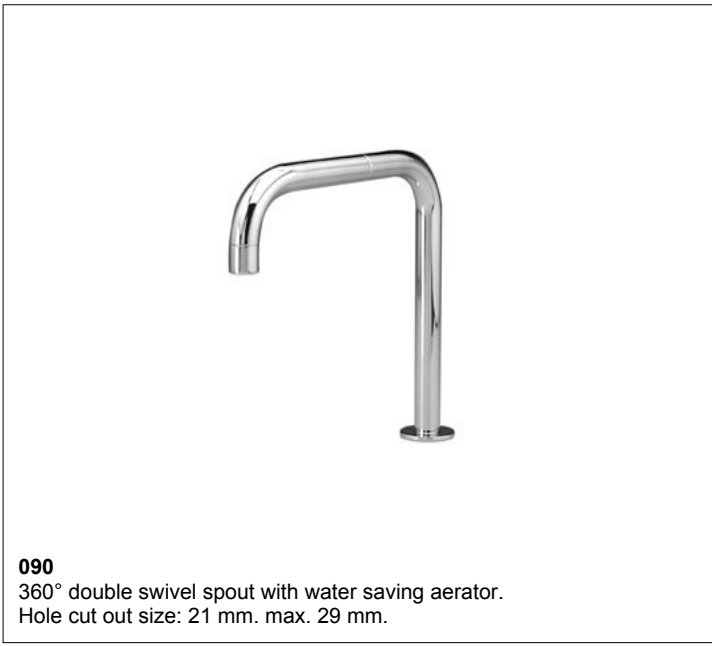


Date: _____

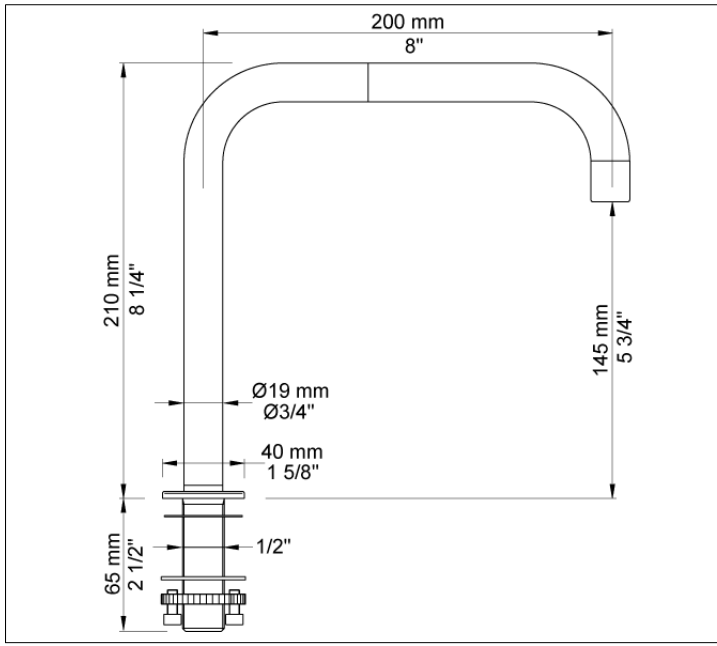
Client: _____

Project: _____

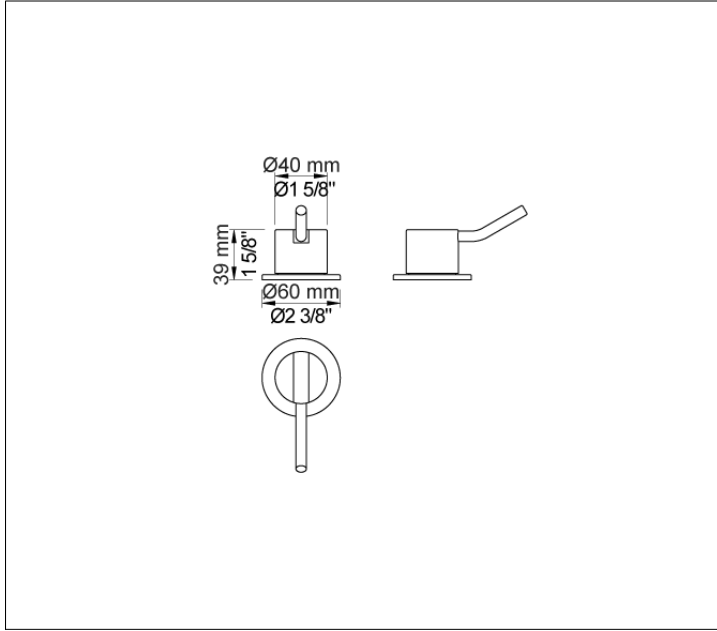
VOLA product: 500MT1-590M



090
360° double swivel spout with water saving aerator.
Hole cut out size: 21 mm. max. 29 mm.



500M
One-handle table-mounted mixer with medium lever.





T1
Deck mounted pull out hand shower, with 2 m hose.
Work top: Max. 45 mm.
Hole cut out size: 28 mm.

