



Features

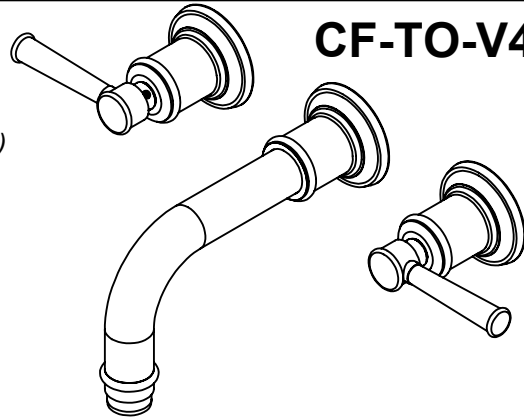
- Over 30 finishes including 14 PVD finishes
- Solid brass construction
- 6-1/2" or 8-1/2" spout reach
- 1.5 gpm (5.7 L/m) maximum flow rate (other flowrates available)
- Less drain
- Rough valve sold separately (CF-VL-R)
- See www.calfaucets.com or additional product offerings

Codes/Standards Applicable

Meets or exceeds the following at date of manufacture:

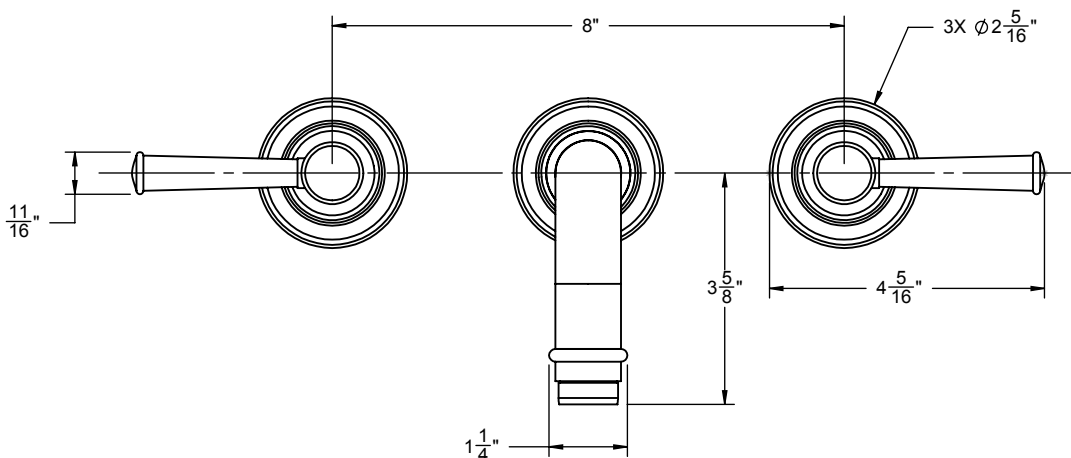
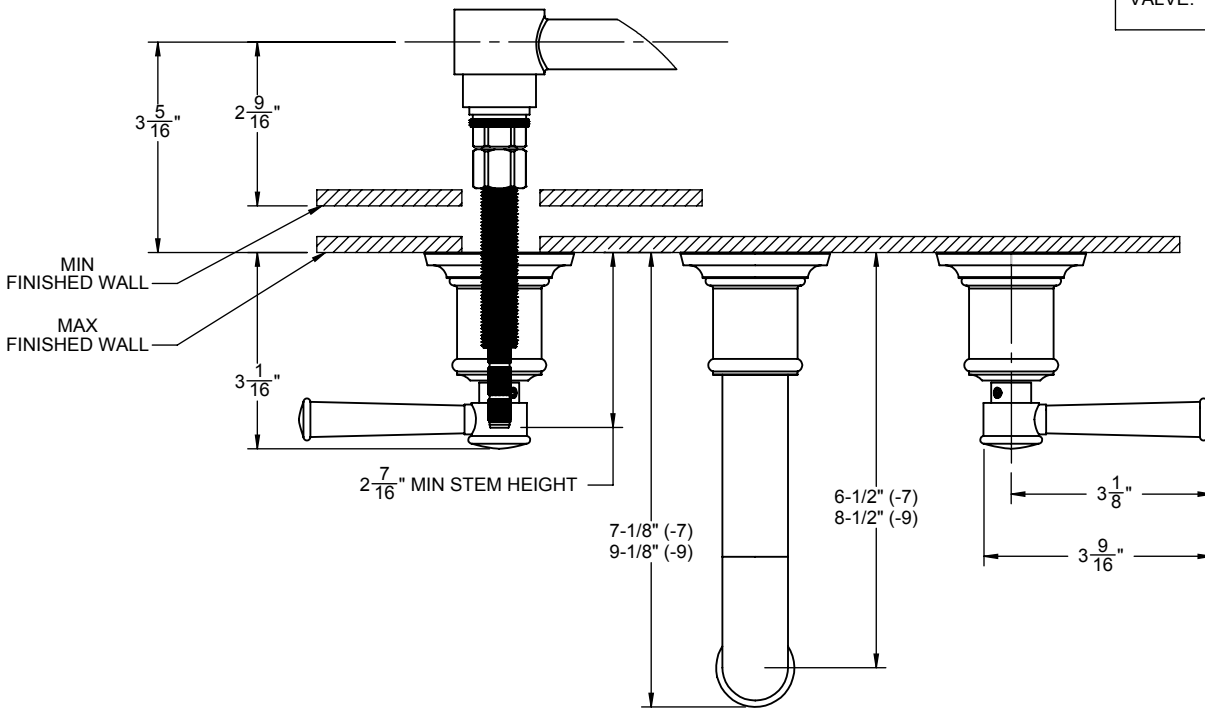
- ASME A112.18.1/CSA B125.1
- NSF 61 and CA / VT lead plumbing law
- ADA

CF-TO-V4802-7/9



THROUGH-HOLE SPECIFICATIONS

SPOUT: $\varnothing 1\text{-}1/4"$
VALVE: $\varnothing 1\text{-}1/4"$



ALL DIMENSIONS SHOWN TO NEAREST 1/16"