

**BREANA
61" CAST IRON
ROLL TOP TUB**

Cat. No.
CTRH61M



L: 60 1/2"
W: 30 1/4"
H: 25 3/4" (from floor to top of tub)

Water depth: 11 1/2" to overflow

The following is recommended for CTRH61M tubs:

- Tub wall-mounted faucets or hand-held showers: part #4022, 4025 or 4035
- Tub wall-mounted faucets for use with risers: part #4001, 4013, 4023, 4030 or 4031
- Double offset bath supplies: part #5576
- Leg tub drain: part #5599
- Complete shower unit: Part #4124 or 4123

Gallon Capacity: 31
Shipping Weight: 380 lbs.
Empty Weight: 200 lbs.
Filled Weight: 459 lbs.

Features:

- ▶ Inside finish is white enamel
- ▶ Ball and claw feet available in 5 finishes
- ▶ Tub exterior is white (epoxy)
- ▶ 3-3/8" centers in tub wall
- ▶ Feet are attached and leveled before shipment
- ▶ Tub is thoroughly inspected before shipment

Foot Finishes:

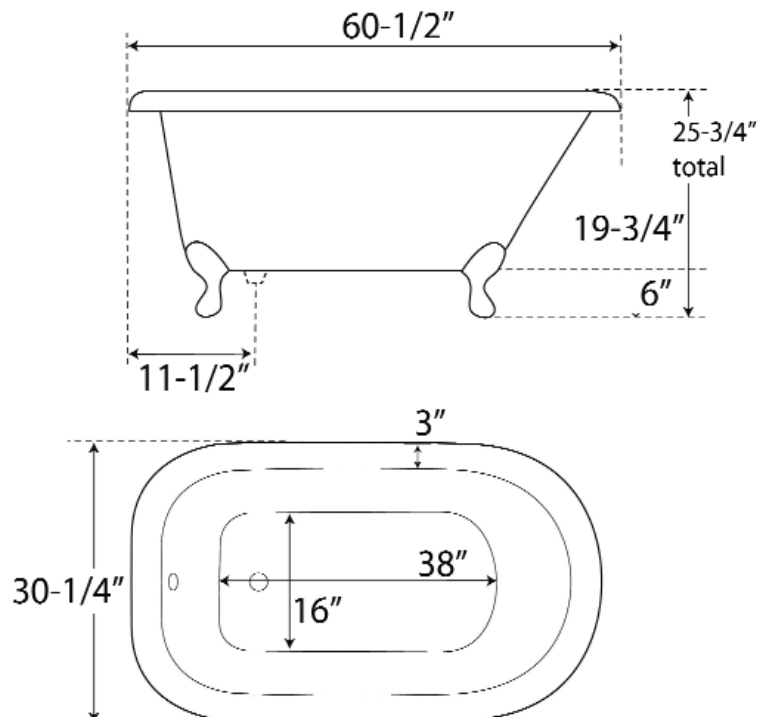
BP Polished Brass **SN** Brushed Nickel
CP Polished Chrome **WH** White
ORB Oil-rubbed Bronze

Extra Paint Charge (inside of tub is always white enamel):

Bisque Paint - \$160

Black Paint - \$160

Bathtubs painted in bisque or black are considered "special order" and are not returnable.



Dimensions of fixture are nominal and may vary within the range of tolerances established by ANSI Standard A112.19.2. Dimensions and specifications subject to change without notice.