

FEATURES

- Closed front toilet seat and cover with SOFTCLOSE hinge system
- Maple hardwood with mounting hardware included

MODELS

- SS304 - Elongated Maple SOFTCLOSE seat
- SS303 - Round Maple SOFTCLOSE seat



COLORS/FINISHES

- Standard
Maple Wood
- Hinge Finishes
#CP Chrome Plated
#PB LifeKoat™ Polished Brass

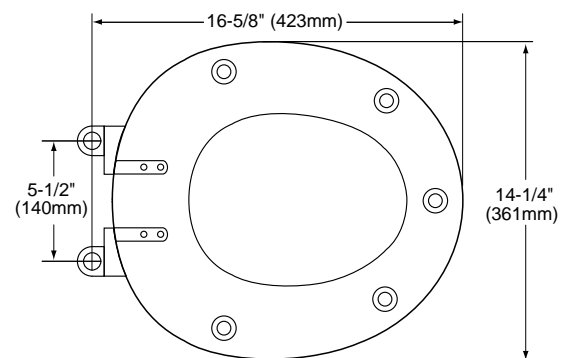
SPECIFICATIONS

- Warranty 1-year limited warranty
- Material Maple Wood
- Shipping Weight 9 lbs. (SS304) / 8 lbs. (SS303)
- Shipping Dimensions 18-1/2" x 14-1/2" x 3"

PRODUCT SPECIFICATION

Seat shall be model # SS304 or # SS303____. Seat shall be solid wood with closed front seat and cover. Wide back design shall feature a rounded cover with integral bumpers. Hinges to be metal with noncorrosive nylon stud and nut.

SS303 - Round SOFTCLOSE Maple Seat



SS304 - Elongated SOFTCLOSE Maple Seat

