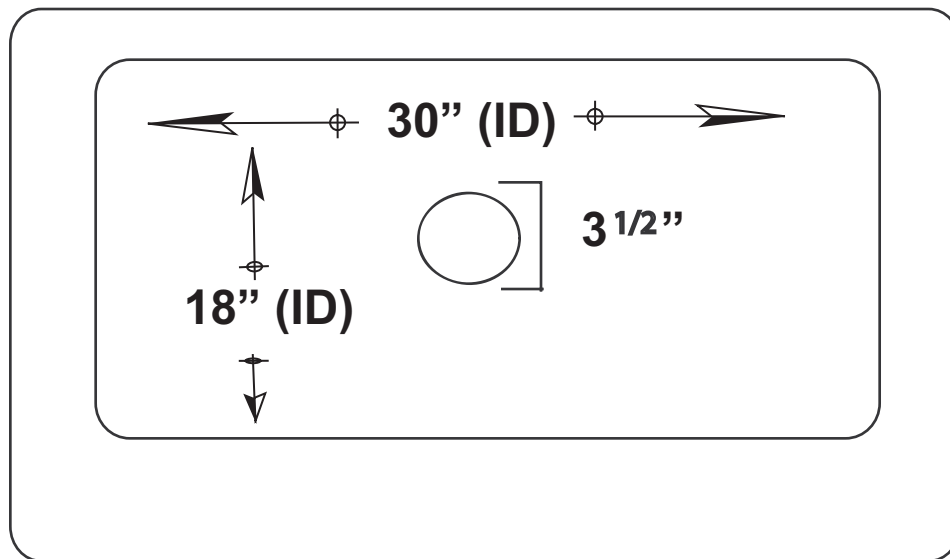


# Elite Bath

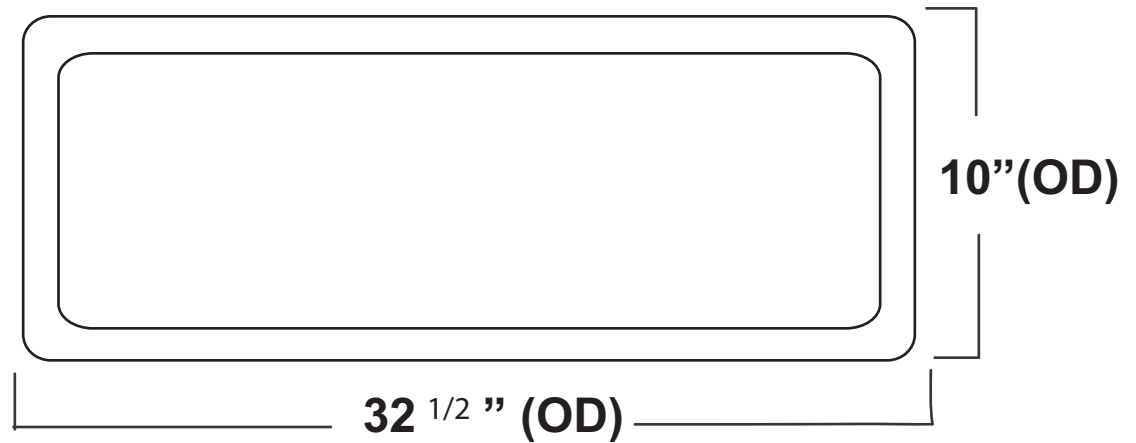
Chameleon Model #FS32

## Specifications Sheet

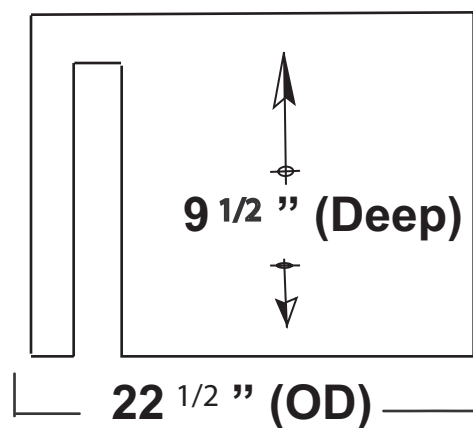
Top



Front



Side



260 lbs.