

Features

- Solid brass construction
- Euro-motion ceramic disc 35 mm valve cartridge
- Top-mounted ADA compliant lever handle
- Swivel spout assembly
- 5-11/16" (14.4 cm) spout height at outlet
- 9-11/16" (24.6 cm) spout reach (c-c)
- For single hole configurations
- 1.8 gallons (6.8 liters) per minute maximum flow rate

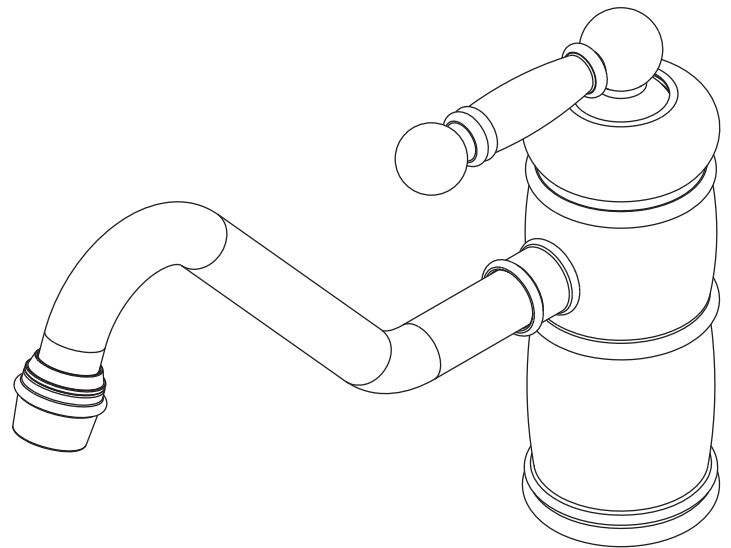
Codes / Standards Compliance

Meets or exceeds the following at date of manufacture:

- ASME A112.18.1/CSA B125.1
- IAPMO/cUPC
- IPC
- NSF 61
- ADA
- ICC/ANSI A117.1
- Energy Policy Act of 1992
- All applicable US Federal and State material regulations

Single-Handle Kitchen Faucet

940



Colors / Finishes

- 10B: Oil Rubbed Bronze
- 15: Polished Nickel
- 15S: Satin Nickel
- 26: Polished Chrome
- Other: Refer to the Newport Brass catalog for additional color/finish options.

Specified Model

Model	Description	Colors / Finishes
940	Single-Handle Kitchen Faucet	<input type="checkbox"/> 10B <input type="checkbox"/> 15 <input type="checkbox"/> 15S <input type="checkbox"/> 26 <input type="checkbox"/> Other

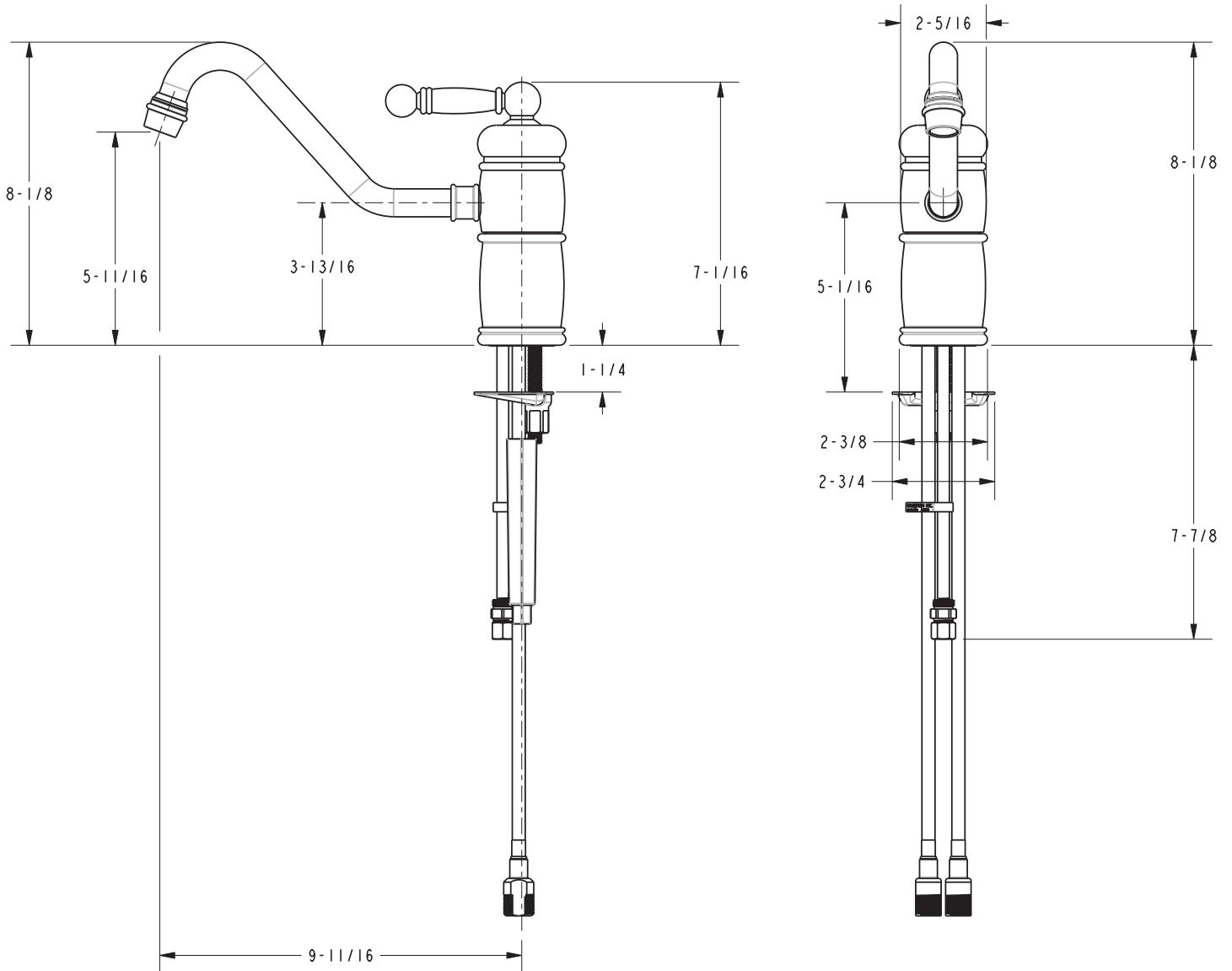
Product Specification:

Add "Color / Finish" suffix to Model number, below.

The Single-Handle Kitchen Faucet shall be made of solid brass construction. Faucet shall incorporate a swivel spout assembly and feature a Euro-motion ceramic disc 35 mm valve cartridge. Faucet shall have a 1.8 gallons (6.8 liters) per minute maximum flow rate. Product shall require a single hole for installation. Product shall incorporate a 5-11/16" (14.4 cm) spout height at outlet and a 9-11/16" (24.6 cm) spout reach (c-c). Faucet shall incorporate a top-mounted ADA lever handle for temperature and flow control. Single-Handle Kitchen Faucet shall be Newport Brass Model 940/____ .

940

Product Dimensions *(units are in inches)*



Nadya Single-Handle Kitchen Faucet 940