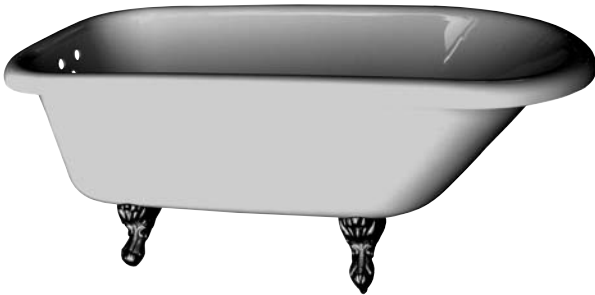


# DOUBLE ACRYLIC ROLL TOP TUB

Cat. No.  
ADTR60



L: 60 1/2"  
W: 29 1/2"  
H: 23" (from floor)  
18" (from bottom of tub)

**The following is recommended for ADTR60 tubs**

- Tub wall-mounted faucets
- Double offset bath supplies: **Part# 5576**
- Leg tub drain: **Part# 5599**

**Do not use with rigid, freestanding supplies**

Gallon Capacity: 40  
Shipping Weight: 110 lbs.  
Empty Weight: 62 lbs.  
Filled Weight: 410 lbs.

All ATR60 tubs have 3 3/8" centers in tub wall.

## Features:

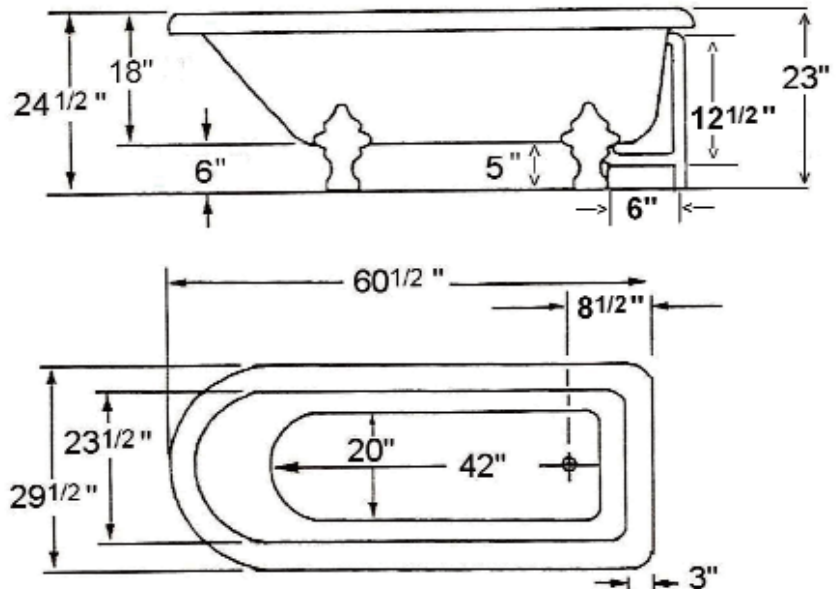
- ▶ Inside finish is either White or Bisque to match outside color
- ▶ Ball and Claw Feet available in 8 finishes
- ▶ Smooth acrylic surface inside and out
- ▶ Tubs ship with feet attached and leveled
- ▶ Tubs thoroughly inspected before shipment

## Tub Colors

**WH** White  
**BQ** Bisque

## Foot Finishes

<b>BP</b> Polished Brass	<b>PN</b> Polished Nickel
<b>CP</b> Polished Chrome	<b>BQ</b> Bisque
<b>BN</b> Brushed Nickel	<b>BL</b> Black
<b>ORB</b> Oil Rubbed Bronze	<b>WH</b> White



Dimensions are nominal and specifications subject to change without notice.