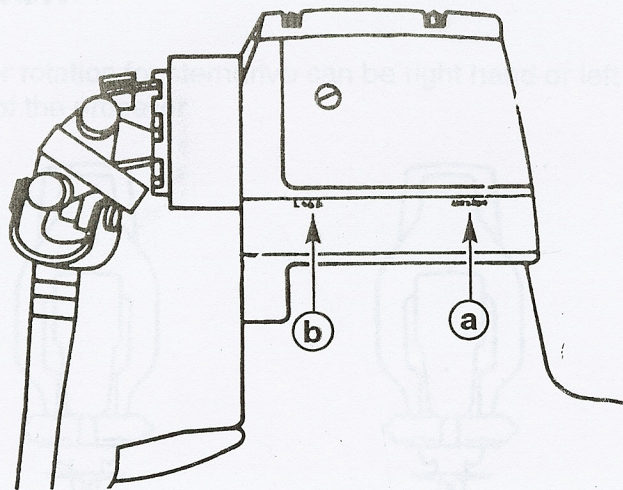


Sterndrive Unit Serial Number Location



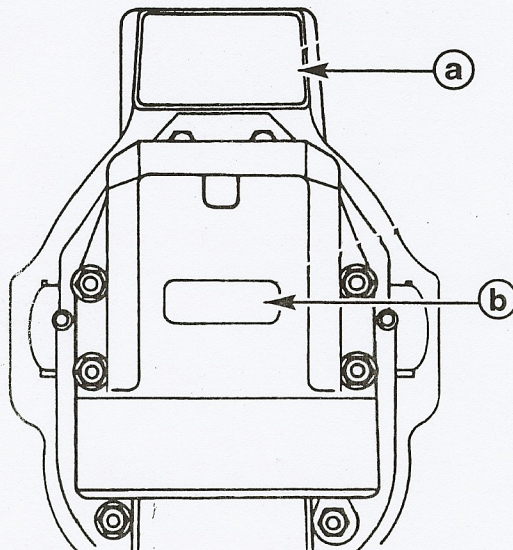
22026

Sterndrive Unit Serial Number Location - Port Decal

(Also Located Under Decal On Housing)

- a - Sterndrive Unit Serial Number
- b - Sterndrive Unit Gear Ratio

Serial Number Locations and Engine Designation Decal



22031

- a - Transom Assembly Serial Number
- b - Engine Designation Decal