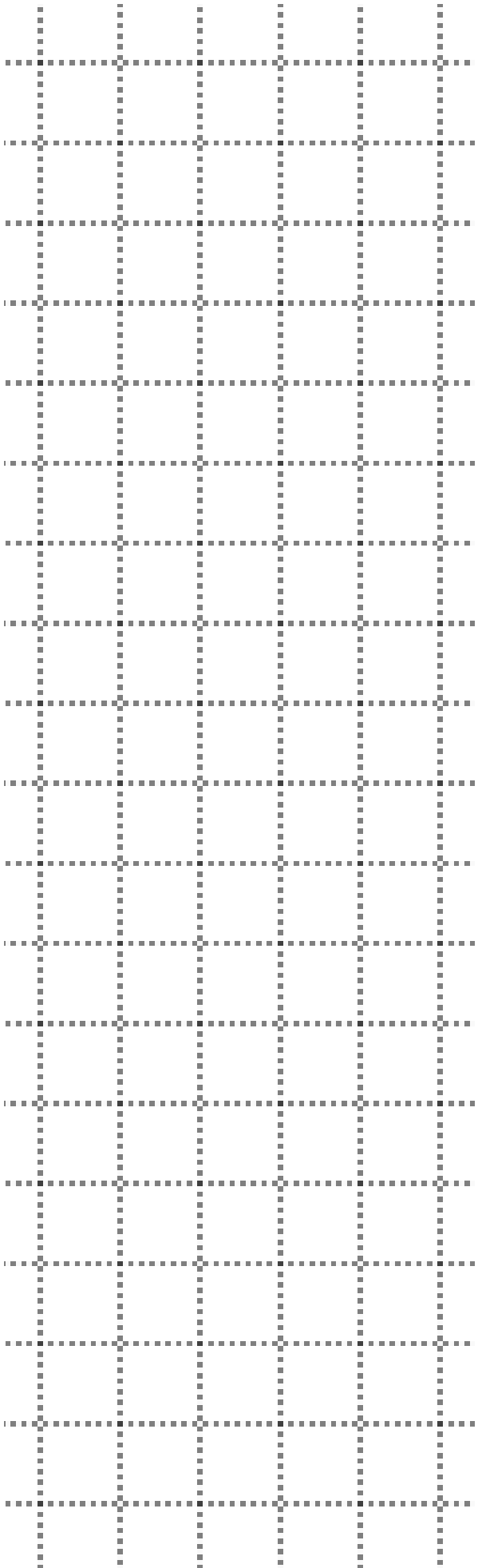
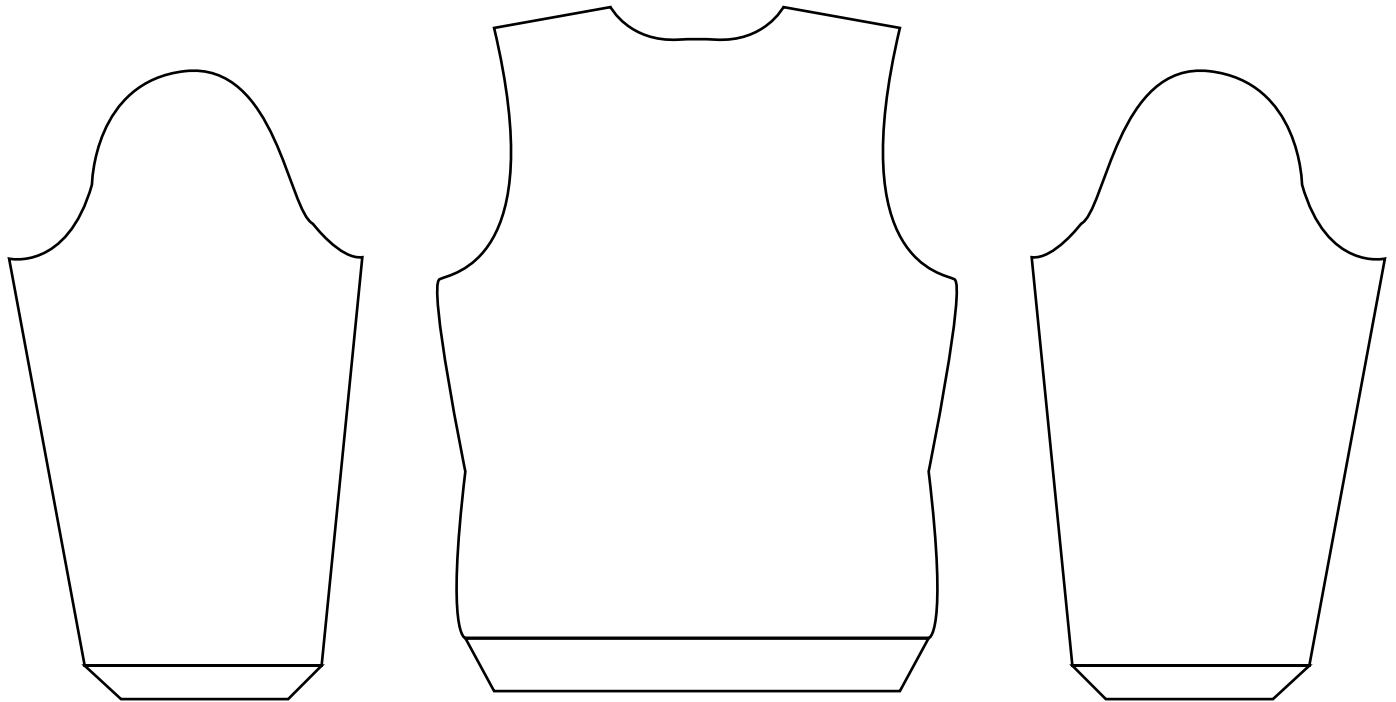


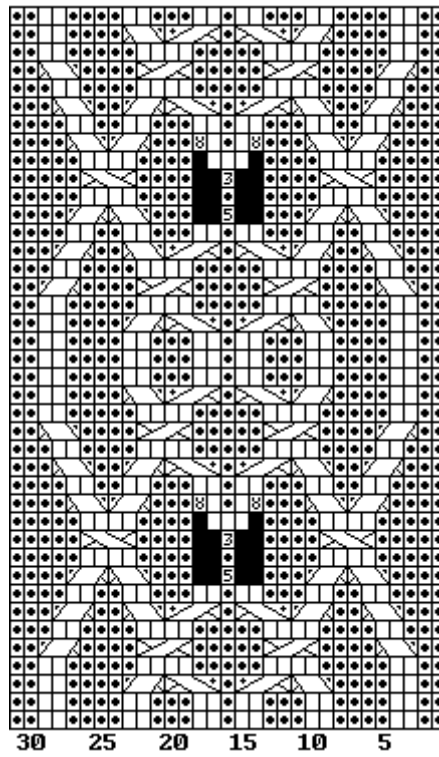
the beginning



the middle i



- Knit
- ◻ Purl
- No Stitch
- ⊠ Make 1
- ⊡ Knit into fbf
- ⊣ Decrease 5
- ▤ 2/1 LPC
- ▥ 2/1 RPC
- ▦ 2/2 LPC
- ▧ 2/2 RPC
- ▨ 2/2 LC
- ▩ 2/2 RC



40
35
30
25
20
15
10
5

the middle ii

Row 1 (RS): P2, k2, p4, k2, p3, k2, p1,
k2, p3, k2, p4, k2, p2.

Row 2 (WS): K2, p2, k4, p2, k3, p2, k1,
p2, k3, p2, k4, p2, k2.

Row 3: P2, k2, p4, 2/1 LPC, 2/2 RPC,
p1, 2/2 LPC, 2/1 RPC, p4, k2, p2.

Row 4: K2, p2, (k5, p4) x 2, k5, p2, k2.

Row 5: P2, 2/1 LPC, p4, 2/2 RC, p5,
2/2 RC, p4, 2/1 RPC, p2.

Row 6: K3, p2, k4, p4, k5, p4, k4, p2,
k3.

Row 7: P3, 2/1 LPC, p2, 2/1 RPC, 2/2
LPC, p1, 2/2 RPC, 2/1 LPC, p2, 2/1
RPC, p3.

Row 8: K4, p2, k2, p2, k3, p2, k1, p2,
k3, p6, k4.

Row 9: P4, 2/1 LPC, 2/1 RPC, p3,
dec5to1, p3, 2/1 LPC, 2/1 RPC, p4.

Row 10: K5, p4, k9, p4, k5.

Row 11: P5, 2/2 LC, p4, kfbf, p4, 2/2
LC, p5.

Row 12: K5, p4, k4, p3, k4, p4, k5.

Row 13: P4, 2/1 RPC, 2/1 LPC, p3, m1,
k1, p1, k1, m1, p3, 2/1 RPC, 2/1 LPC,
p4.

Row 14: K4, p2, k2, p2, k3, p2, k1, p2,
k3, p2, k2, p2, k4.

Row 15: P3, 2/1 RPC, p2, 2/1 LPC, 2/2
RPC, p1, 2/2 LPC, 2/1 RPC, p2, 2/1
LPC, p3.

Row 16: Repeat row 6.

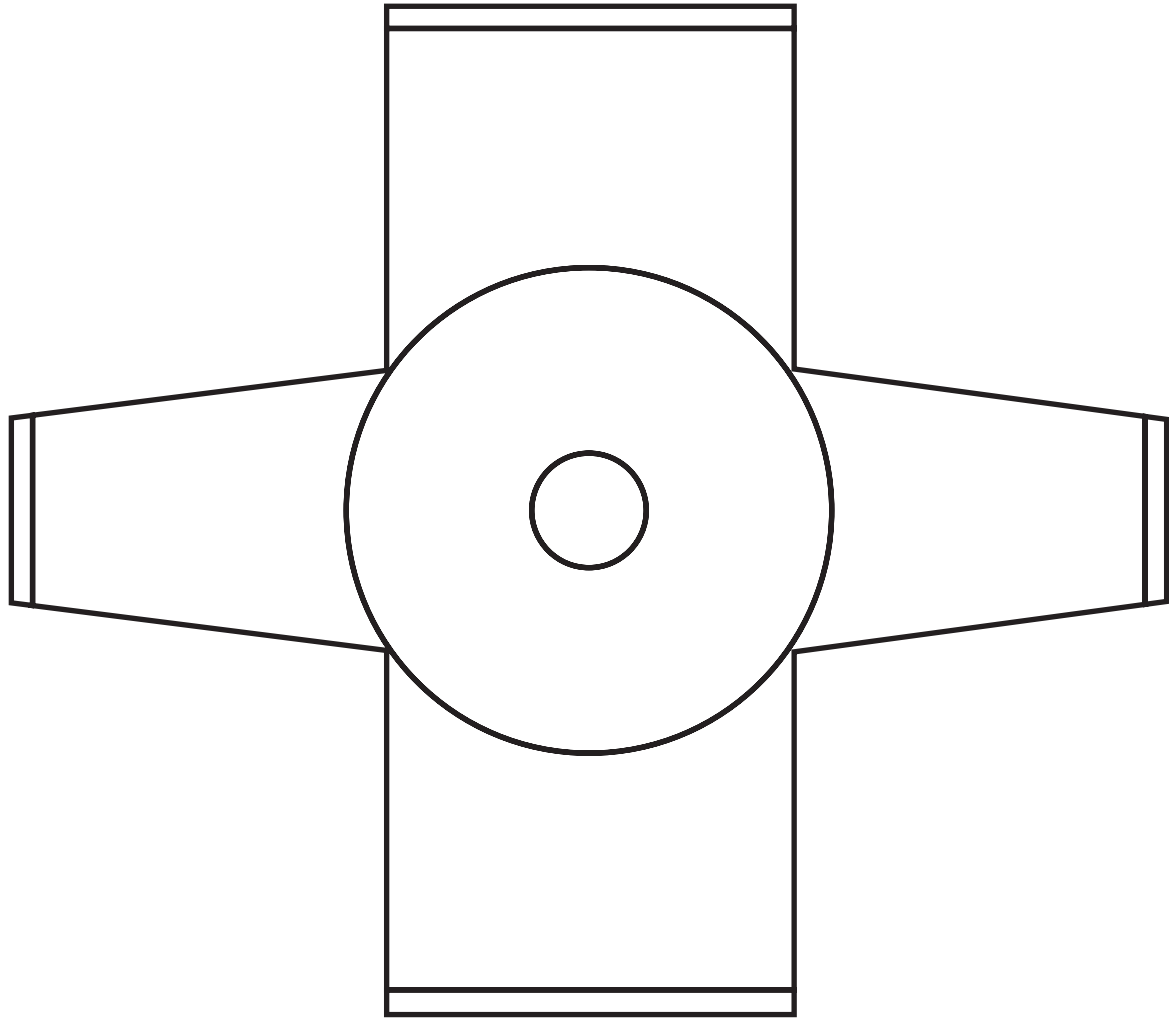
Row 17: P2, 2/1 RPC, p4, 2/2 RC, p5,
2/2 RC, p4, 2/1 LPC, p2.

Row 18: Repeat row 4.

Row 19: P2, k2, p4, 2/1 RPC, 2/2 LPC,
p1, 2/2 RPC, 2/1 LPC, p4, k2, p2.

Row 20: Repeat row 2.

the end



CO 72 Sts.

Join and work 10 rds.

Inc 1 rd of *K1, YO*.

Work 10 rds. Inc 1 rd of *K3, YO*.

Work 10 rds. Inc 1 rd of *K2, YO*. Work 10 rds.

Inc 1 rd of *K3, YO*. Work 6 rds. Divide for body.

Body

Select 144 needles, 72 green, 72 orange. Cast on waste yarn. Change to working yarn, knit 100 rows. Change to waste yarn. Take off machine. Repeat. Kitchener body to yoke. Pick up edge sts, work 12 rows of K1, P1 rib. Bind off.

Arm

Select 80 needles, 40 green, 40 orange. Cast on waste yarn. Change to working yarn, knit 120 rows, dec 2 st per side every 20th row. Change to waste yarn. Take off machine. Repeat. Kitchener sleeve to yoke. Pick up edge sts, work 12 rows of K1, P1 rib. Bind off. Weave in ends.