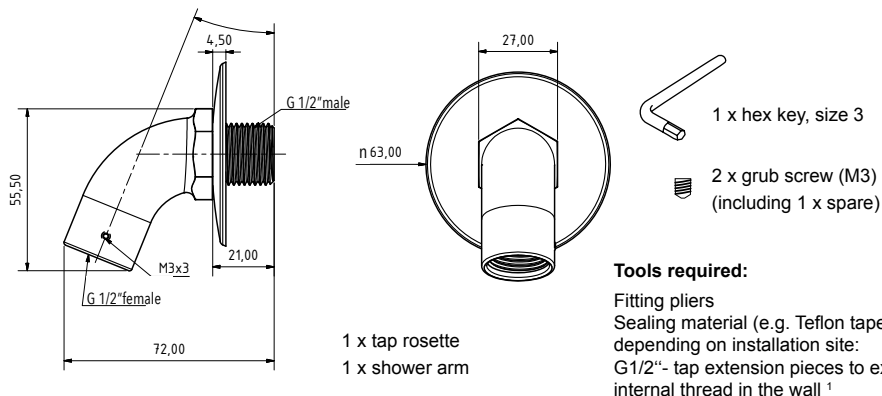


 **Installation must be carried out by qualified technical staff.**

1 Material supplied and tools needed



2 Installation instructions

1. Remove the shower head if already in place.
2. Fit a tap extension piece on the connection side if necessary.
3. Place the tap rosette on the shower arm and screw the shower arm into the wall connection. Use suitable sealing material for the G1/2" male thread of the shower arm.
4. Fix the shower arm in place with suitable fitting pliers; ensure that it points in the correct direction.
5. Install the shower filter in accordance with the instructions for use of the shower filter

 **Follow the instructions for use of the filter.**

6. The shower filter can be secured on the shower arm. Use the grub screw supplied for this, screwing it into the side of the shower arm.

3 Technical data: Standard fitting adapter

Recommended height	2.00 – 2.25 m
Max. operating pressure	5 bar
Connection	inflow side: G½" male thread outflow side: G½" female thread
Material	chrome-plated brass
Other	filter can be secured against theft

4 Storage and disposal



5 Maintenance and cleaning

Clean and descale with mild cleaning and descaling agents for bathroom fittings.

¹ Not included. Can be obtained from DIY markets and plumbing suppliers.