

– VINYL FLOORING –
WITH HD MINERAL CORE

MAINTENANCE AND CLEANING



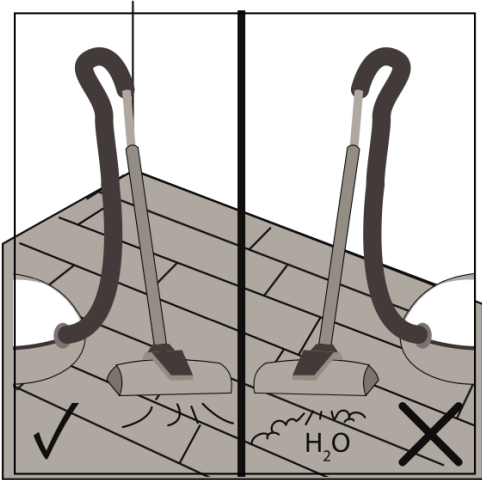
Arbiton
FLOOR EXPERT

FIRMAX

FLOORNITY
floor for life

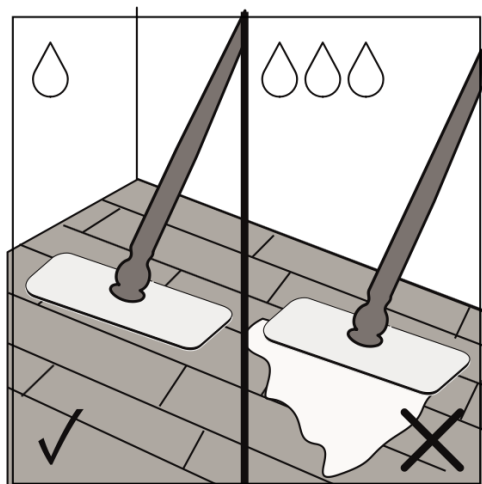
– USAGE AND MAINTENANCE –

18-30°C 40-65%



Remove larger debris and loose substances using a regular broom or a vacuum cleaner with a soft attachment.

Vinyl flooring with a mineral core can be cleaned with a vacuum cleaner, but the use of steam cleaning devices is prohibited.



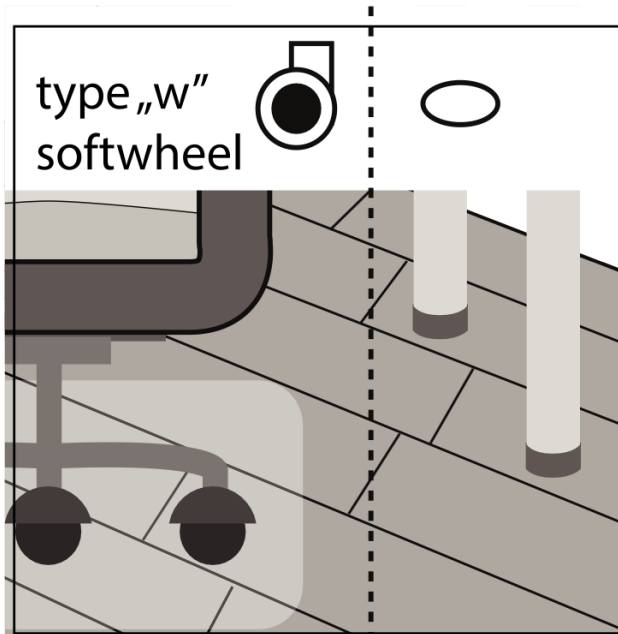
Choose an appropriate cleaning solution. While plain water can be used, it is recommended to use special cleaners designed for vinyl panel cleaning for heavily soiled floors.

If opting for cleaning solutions, ensure they are non-ionic or anionic surfactants. Check the label to confirm they are suitable for cleaning this type of flooring.

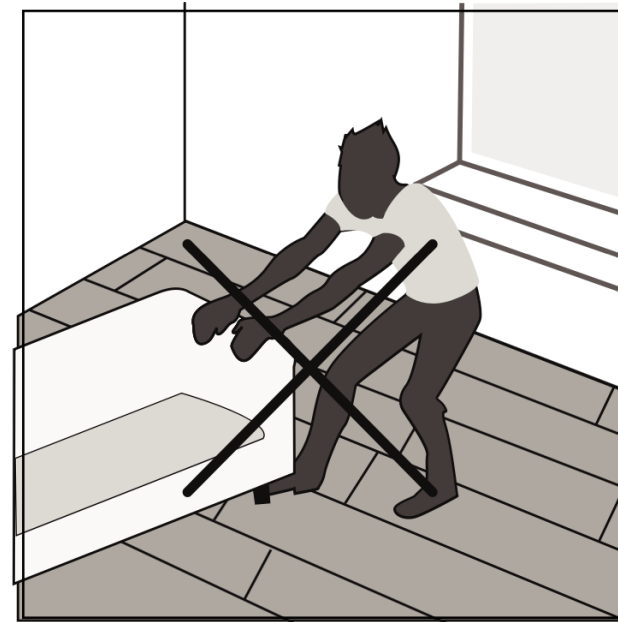
Tool preparation: If using a microfiber cloth or mop, lightly dampen it with water or a specialized cleaner for vinyl panels.

🌡️ 18-30°C 💧 40-65%

– USAGE AND MAINTENANCE–



Use office chairs with W-type wheels and further protect the floor with a chair mat. Equip furniture legs with protective pads, such as felt pads, to prevent scratching.



Moving heavy furnitures across the floor is prohibited. They should be lifted and carried instead.