



MINING & MAINTENANCE INDUSTRY SOLUTIONS



www.rsonline.com | www.rsonline.africa

WHY CHOOSE RS AS YOUR BUSINESS PARTNER?

THE ONLY SOURCE YOU NEED

Whatever the industry sector, businesses are faced with an ever-changing world, financial pressures, and demanding stakeholders. Partnering with a collaborative, flexible, and forward-thinking supplier can help you complete your mission, while saving time and money.

We'll work with you to improve your supply management performance for commercial success. We'll deploy our suite of next generation inventory, procurement, and maintenance solutions designed to reduce costs and optimise productivity. We'll combine these with data insight which enables you to optimise your supply chain, sharpen your processes, and define cost saving strategies that will reduce the total cost of ownership and drive operational efficiency.

IMPROVE SAFETY

All mines, Open Cut or Underground are extremely dangerous places to work. There will be very stringent Health and Safety focus on all areas of work. The levels of dust in the air are a high explosion risk factor. Many areas will be subject to IECEx legislation, mandating the use of intrinsically safe products. Due to the nature of the Utilities industry, safety is a key concern as working with energy, water or at height is a common occurrence. The correct PPE and safety equipment specification would be a high priority.

RS has a rapidly growing range of PPE and workwear by the local and global suppliers you trust. We have a range specifically for the harsh environments of mining & utilities industries.

Keep your site safe & secure your site with locks, security alarms & sensors, CCTV & security surveillance.

We have all the innovative automation & control technology to automate and control processes safety including automation signalling, sensors and industrial robots.

ENERGY MANAGEMENT

The economic climates combined with environmental challenges are key drivers to maximising energy efficiencies within the Utilities sector. With carbon net zero on the horizon, energy efficiency is a hot topic.

Our products, services and solutions can help you reduce CO2 emissions and energy consumption, while driving down costs. We work with you to understand your needs, using a suite of energy efficient products and services expertly designed to take the heat out of energy management.

Our solutions are underpinned by digital expertise that takes advantage of the latest in energy efficiency technology to cut energy waste, reduce carbon footprint and help you meet your energy efficiency targets. From LED lighting to energy meters, we help you find the right products to achieve your energy efficiency, health and safety and productivity targets.

ENVIRONMENTAL MANAGEMENT

By its very nature mining is a destructive industry that has a huge impact on the environment. Great efforts are taken by the industry across the mining lifecycle to reduce environmental impact and ensure healthy air, land and water in areas in which they operate.

Our range of products and solutions can help you mitigate the risks and environmental impacts of our your operations.



01

DRIVE EFFICIENCIES IN YOUR BUSINESS

We're specialists in Procurement, Inventory and Maintenance Solutions. Together, we can review your current processes and maintenance strategies to highlight areas with opportunities to save cost, reduce consumption and increase uptime.

04

SERVICE YOU CAN TRUST

We're a brand of global technical experts – committed to delivering the highest quality service levels. With day-to-day customer service provided by our Sales Team, backed up by our Customer Services and Technical Support teams, you can trust us to be here when you need us.

02

SPEND LESS TIME DEALING WITH SUPPLIERS

Why deal with multiple suppliers? With over 750,000 industrial products and a host of services available, we save valuable time – and admin. With everything in one place, why go anywhere else?

05

WE ARE WHERE YOU ARE

With our widespread global network we can provide a dependable delivery service, on your doorstep. Offering specialised order and delivery services we're in the perfect place to work with multi-site organisations.

03

REDUCE COSTS

We're constantly looking for ways to drive efficiencies and save our customers money. Whether it's leveraging our purchasing power to get better prices, or offering quality RS PRO own brand alternatives, we can help reduce your costs

06

WE CARE ABOUT TOMORROW

We're committed to working with our customers to help build a more sustainable future. Constantly looking for ways to reduce the impact we all have on the environment, we want to improve the wellbeing of our people, suppliers and communities.

Contents

04 ESG COMMITMENT

08 OUR RANGE

10 OUR SERVICE SOLUTIONS

12 OUR MINING SOLUTIONS

14 SAFE & SECURE SITE

26 HAZARDOUS SOLUTIONS

28 HARSH ENVIRONMENTS

36 INDUSTRY 4.0

40 SUSTAINABLE SOLUTIONS

42 MAINTENANCE & REPAIR

OUR VALUES AND ESG COMMITMENT

Our values underpin our business, our people, and our processes. Our commitment to environmental and social governance guides and informs our action plan to ensure we are contributing to a better world.

PASSION

We keep everything simple and direct. We're loyal to our customers, suppliers and colleagues who value and trust us.

COLLABORATION

Trust our collective genius. Our sum is greater than our parts; we offer and share our ideas, people and knowledge freely. We work flexibly across functions and geographies and everyone knows what they are here to do and why.

INTEGRITY

Be real and do the right thing. We are open and honest with one another and have the difficult conversations. We seek, listen to and respect different points of view. We embrace diversity and strive towards a global mind-set.

ASPIRATION

If it's to be, make things happen with simplicity and speed. We need to trust ourselves to take the difficult decisions, move fast and take ownership. We offer support and constructive challenge to each other and hold each other to account.

ACCOUNTABILITY

If it's to be, make things happen with simplicity and speed. We need to trust ourselves to take the difficult decisions, move fast and take ownership. We offer support and constructive challenge to each other and hold each other to account.

INNOVATION

Courage to do something bold. We cherish our heritage while focusing on the future. We lead in our field, searching for innovative products and original solutions. We celebrate creativity; we're courageous and support each other to experiment, take risks and learn from failure.

OUR 2030 ESG ACTION PLAN

RS group has developed a global action plan to support a more sustainable and inclusive world with clear objectives and supports six of the United Nations sustainable development goals.

4 GLOBAL GOALS BY 2030



1. ADVANCING SUSTAINABILITY



We are developing sustainable operations, product and service solutions



2. CHAMPIONING EDUCATION AND INNOVATION



We are building skills and fostering innovative solutions that improve lives



3. EMPOWERING OUR PEOPLE



We are creating a safe, inclusive and dynamic culture where our people can thrive and grow



4. DOING BUSINESS RESPONSIBLY



We ensure the highest ethical standards throughout our business and global value chain



HOW OUR SUSTAINABILITY EFFORTS IMPROVE MRO IN YOUR ORGANISATION



ANDREA BARRETT

Vice President of Social Responsibility and Sustainability, RS Group

SUSTAINABILITY EFFORTS AT RS' PARENT COMPANY, RS GROUP, TRANSLATE INTO IMPROVED MRO IN YOUR ORGANISATION, SAYS ANDREA BARRETT, VICE PRESIDENT OF SOCIAL RESPONSIBILITY AND SUSTAINABILITY

This article is one of a series in which senior management at RS and its parent company, RS Group, explore Environmental, Social and Corporate Governance (ESG) and the role it plays strengthening strategies for better management of Maintenance, Repair and Operations (MRO) of company sites and facilities.

Here Vice President of Social Responsibility and Sustainability at RS Group, Andrea Barrett, shares how sustainability measures introduced within the organisation benefit customers who rely on RS as a trusted supplier for MRO.

OUR FOCUS ON SUSTAINABLE OPERATIONS

In recent years, we've had a real focus within the RS Group on delivering more sustainable operations. For example, as outlined in our recent ESG plan, we have cut our scope one and two carbon emissions from our premises energy usage by 62 percent since 2014/15.

However, unlike in a scenario where we saved a food manufacturer £200,000 through a more sustainable lighting system, many of these efforts to improve sustainability are not changes which customers can see, touch or feel.

We will be introducing more carbon reporting so the organisations we supply can better understand the progress we're making and, crucially, how this reduces their scope three emissions – that is indirect emissions that occur in their value chain, whether upstream or downstream. In the meantime, these are just some of the ways that our sustainability targets contribute to improved MRO in your business.

CUTTING YOUR SCOPE THREE EMISSIONS WITH RENEWABLE ENERGY

With any sustainability or net zero plan, moving to renewable electricity is a basic first step.

As of 2021, 67 percent of our electricity was from renewable sources, and we are striving to get that to 100 percent by the middle of the decade.

We've put solar panels and a green grass roof on the new extension at our Bad Hersfeld site in Germany, capable of generating 750 kW capacity and they feed energy back into the local power grid too. We've also implemented energy efficiency measures such as LED lighting controls in distribution centres to really reduce energy consumption in the first place.

MAKING IT EASIER TO RECYCLE PACKAGING

We've done a lot on waste, with 76 percent already recycled, and we're doing more around packaging.

We're buying more sustainable packaging alternatives that contain recycled content and can be recycled at the end of its life. We

switched our Jiffy parcel carriers in the UK, for instance, over to recyclable envelopes. We're also reducing packaging through the use of automated packaging machines. Three of our big distribution centres have these and they fit packaging to the order.

REDUCING THE CARBON FOOTPRINT OF YOUR SUPPLY CHAIN

We are a distributor. We're moving 60,000 products daily, so transport is one of the most significant parts of our carbon footprint – and so a significant contributor to the scope three emissions of our customers.

We're tackling this by restructuring our supply chain to source, store and deliver products closer to where our suppliers and customers are, so they travel fewer miles. This is made possible by our global footprint of 12 distribution centres.

We're also selecting less carbon intensive modes of transport such as road, rail or sea rather than aviation. To give an example, we know that having switched the replenishments to our Asia Pacific distribution centres in late 2020, we're saving 60 percent of carbon emissions on those lines.

ENSURING YOUR PRODUCTS MEET ETHICAL STANDARDS

Sustainability isn't just about the environment.

It's also about taking care of people.

Now, as well as oversight of the materials going into your products, you've got to have oversight of the people involved in the whole supply chain to make sure that it is ethical and, thus, sustainable in the long term. You have to map your supply chain to gain that visibility, set standards for supplier codes of conduct and ethical trading and check that these are clear and adhered to. It is not just a one-time tick box exercise.

As a company, we're taking a strong approach to make sure that we're working with suppliers who are signed up to rigorous ethical and environmental standards. This is something we're keenly focused on. With RS Pro, our main own label brand, we already map suppliers and understand the hazards involved. We do face to face ethical inspections, with 89 audits of our highest risk suppliers over the last two years.

More broadly, we've introduced a new ethical trading declaration for our suppliers, signed up to the UN Global Compact and have just started a new partnership with leading supply chain management platform Sedex to further develop our level of visibility and ethical trading tools.

FACILITATING COLLABORATION The biggest part of our carbon footprint is outside of own operations. It is the same for many companies, particularly in the industrial sector, because of the life cycle of the products and their movement. Therefore, one of the biggest challenges for our customer and supplier partners across the value chain is to work all together to improve ESG standards and performance.

It's about collaboration. Customers are demanding sustainable solutions and more ethical and sustainable goods – and suppliers are responding to that. This is where Electrocomponents has a unique role to play because we can bring the whole community together to really affect positive change.

To learn about the sustainability goals RS is pursuing and how they support MRO best practice within your organisation, read about the 2030 ESG plan in another article from this series by senior management at RS, exploring ESG and its importance for better management of MRO on rs-connectedthinking.com.

PRODUCT RANGE

WE OFFER A BROAD AND EXTENSIVE PRODUCT RANGE TO SUPPORT OUR INDUSTRIAL AND ELECTRONICS CUSTOMERS WITH 750,000+ STOCKED PRODUCTS, FROM OVER 2,500 SUPPLIERS - INCLUDING OUR OWN BRAND, RS PRO.

We have built strong relationships with leading manufacturers and have a unique position as a multi-brand distributor of electrical, automation, electronics, and maintenance products.

Here is a snapshot of our most popular global and local brands:



RS PRO

RS PRO is our own-brand product range of more than 88,000+ high-quality, competitively priced industrial product and electronic components.

RS PRO offers customers a choice where the combination of quality, performance and price create exceptional value. All RS PRO products and components are backed by the RS Seal of Approval, representing leading industry standards for audit, inspection, test and certification.

View all 2,500 brands online at www.rsonline.com / www.rsonline.africa

ELECTRONICS COMPONENTS, POWER & CONNECTORS

- Batteries & Chargers
- Connectors
- Displays & Optoelectronics
- Passive Components
- PCB Prototyping
- Power Supplies & Transformers
- SBCs, Arduino & Development Tools
- Semiconductors



ELECTRICAL, AUTOMATION & CABLES

- Automation & Control Gear
- Cables & Wires
- Enclosures, Storage & Material Handling
- Fuses, Sockets & Circuit Breakers
- HVAC, Fans & Thermal Management
- Lighting
- Relays
- Switches



MECHANICAL PRODUCTS & TOOLS

- Abrasives & Engineering Materials
- Adhesives, Sealants & Tapes
- Facilities Cleaning & Maintenance
- Fasteners & Fixings
- Hand Tools
- Plumbing & Pipeline
- Pneumatics, Hydraulics & Power
- Transmission
- Power Tools, Soldering & Welding



IT, TEST & SAFETY EQUIPMENT

- Computing & Peripherals
- Facilities Cleaning & Maintenance
- Office Supplies
- Personal Protective Equipment & Workwear
- Security & Ironmongery
- Site Safety
- Test & Measurement



SERVICE SOLUTIONS

OUR SERVICE SOLUTIONS SUPPORT YOU ACROSS THE PRODUCT LIFE CYCLE THROUGH DESIGN, BUILD AND MAINTAIN.

We can also give you advice on flexible delivery options, cost-saving ways to help you manage your inventory and procurement, through to preventative maintenance and eCommerce solutions.



DELIVERY & INVENTORY SOLUTIONS

- With a range of flexible delivery and collection options, we make it easy for you to receive your order when and where you need it.
- **Same day dispatch** from local or global stock.
- **Large local stock holding in South Africa** for fast delivery plus access to our global network of distribution centres.



PRODUCT SUPPORT

- We offer easy access to product support resources online, via email or by phone.
- Our Customer Service Team can help by understanding your needs and offering product support or directing your enquiry to our technical team
- Speak to a live chat member on our website for help in finding products or other technical information.
- Or take a look at our technical data sheets which are available at product level. This can help save time, allowing you access to technical information 24/7.



ORDERING

There are four different ways that you can place an order

- **Online** - This is the easiest way to order. Products can be delivered as quickly as the next day if items are in local stock.
- **Email** - send your order/query to africa@rsgroup.com | sales.za@rsgroup.com
- **Phone** - By calling us on +27 11 691 9300
- **Branch** - You can get access to locally stocked products at our location in Kyalami Business Park, Midrand.



PRODUCT PLUS (ONLY AVAILABLE IN SOUTH AFRICA)

WANT TO SOURCE PRODUCTS FROM RS THAT AREN'T PUBLISHED ON OUR WEBSITE?

- Product Plus is an exclusive service for customers looking to consolidate their spend. Our specialist team can support your requirements and help you source products not published on our website. *
- Using our expertise and relationships with over 2,500 key manufacturers, we provide access to over a million products. We will also let you know if we find an alternative product offering extra functionality or value for money benefits.
- What's more, consolidating more of your purchasing with RS reduces purchase orders, saves time sourcing and helps you leverage your spend.



RS EXPORT SOLUTIONS

We're here to help you navigate complexities, sail swiftly through paperwork, and deliver the goods worldwide.

Local service. Global reach

- We are experts at export. Our expertise makes possible the prompt delivery of trusted brands across the globe. Using direct export or via our third-party distributor network, we can meet your requirements with a complete end-to-end solution or support with advice and paperwork, transforming your processing times and keeping you compliant.
- RS Export Solutions can cut costs by 20% and increase processing efficiencies by 15%*
*Calculated by the Institute of Export & International Trade, comparing RS Export Solutions with an average exporter.



ECOMMERCE SOLUTIONS (ONLY AVAILABLE IN SOUTH AFRICA)

For a more efficient process for your industrial and electronics product procurement, we have a service to fit your business requirements. From web-based and mobile ordering through to integrated procurement solutions.

- **PurchasingManager™** - A free web order management solution that helps you manage your spend, whilst providing visibility of orders placed through the RS website.
- **PunchOut** - Integrated into your own eProcurement system, providing fast and easy access to our full product range and purchase information.
- **eInvoicing** - Fast and secure invoicing direct from our system to yours. Eliminates paper, whilst saving you time and money in administration processes.
- **eOrdering** - Fast and secure ordering direct from your system to ours. Improves accuracy by eliminating order and invoicing errors.

 africa@rsgroup.com | sales.za@rsgroup.com

*Qualifying criteria and minimum order quantities may apply for some services. Orders placed through RS Product Plus, and other services are subject to additional terms and conditions.

SAFE & SECURE SITE

From head to toe, our range of PPE and workwear can keep your people safe and comfortable. Plus everything you need for a secure site.



Browse and shop thousands more brands and products online at www.rsonline.com | www.rsonline.africa

White Anti-Slip Over Shoe Cover

- One size fits all for wearer flexibility
- Anti-static treatment reduces the risk of ESD in sensitive areas
- Supplied in a pack of 20, so you'll have enough in stock for multiple jobs

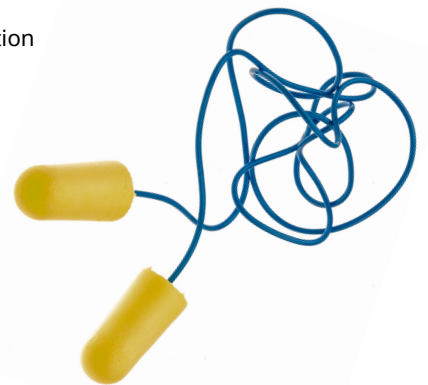


3M

234-2055 20 pack

3M E.A.R Yellow Disposable Corded Ear Plugs

- Corded reusable ear plugs
- Comfortable fit
- High Visibility
- Excellent Noise Reduction



3M

385-1687 34dB Rated, 200 Pairs

385-1261 34dB Rated, 500 Pairs

Honeywell face shield with chin guard

- Anti-fog screen helps prevent blurry vision in humid environments
- Compatible with most spectacles, goggles and respirator masks for convenient integration with PPE
- Extended chin and top-of-head protection
- A ratcheting headgear mechanism for a secure and comfortable fit
- Hard Hat Adapter available



Honeywell

240-5911 Resistant To Liquids

Moldex white Polypropylene Disposable Face Mask

- Reliable protection against particles
- This ensures an extra comfortable and secure fit
- Large filter surface for low breathing resistance



MOLDEX

246-5914 One Size

246-5915 One Size

7500 Series Half-Mask

- Ready to use respiratory kit with 3M™
- Reusable Half Face Mask 7502M and 3M™ Filters offering A2P3 R protection
- 3M™ Cool Flow™ Valve provides easier breathing and reduced heat and moisture build-up



666-7696 Medium

6000 Series Full Face

- Ready to use respiratory kit with 3M™
- Reusable Half Face Mask 7502M and 3M™
- Filters offering A2P3 R protection
- 3M™ Cool Flow™ Valve provides easier breathing and reduced heat and moisture build-up



6500 Series Half-Mask

- Reusable respirator with quick latch drop down mechanism for easy on and off as wearers move in and out of contaminated areas
- Resilient silicone face seal helps provide comfort, durability, and stability with a soft but firm seal



815-4168 Medium

815-4177 Large



286-7164 Large

Fahrenheit™ Goggles

- Specially designed to fit with prescription glasses, dust mask or respiratory half-mask
- Aerodynamic shape with cylindrical lens for 180° of distortion-free vision
- The benefit of DX coating is a lens that is anti-scratch, anti-mist, anti-static and has some resistance to chemical attack
- Lens colour is clear
- Anti-scratch and anti-fog lens coating



666-7707 Anti-mist, Clear lens

3M Particulates Filter

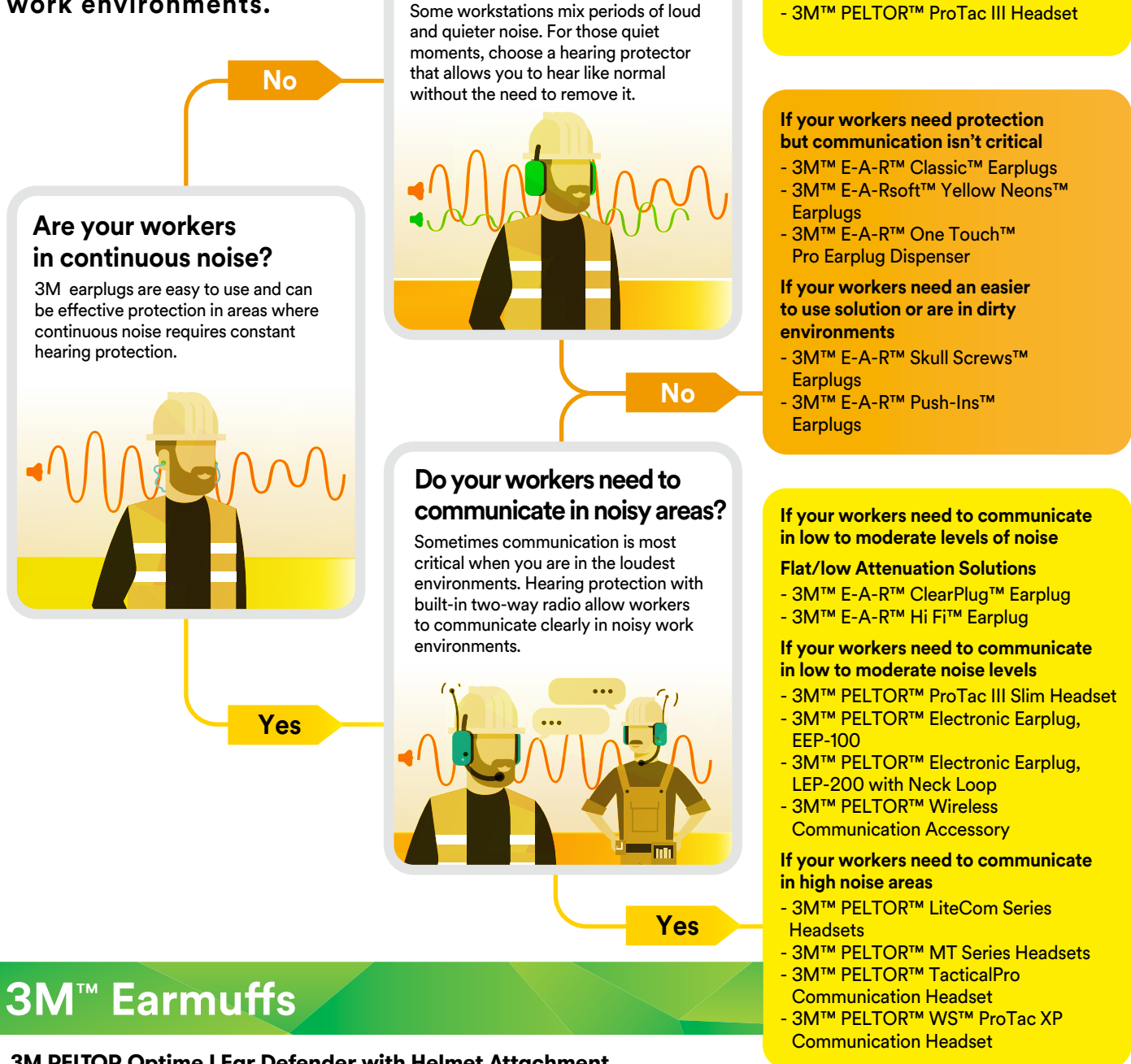
- 3M™ Particulate Filters 2125 offer P2 R protection against solid and liquid particles
- Suitable for use with 3M™ all 3M™ Reusable Half and Full Face Masks featuring the Bayonet Filter Connection System
- Bayonet fitting allows filters to be clicked into place for ease of fitting



766-233 P2

Choose the right Hearing Protection Solution

Discover product options designed for different work environments.



3M™ Earmuffs

3M PELTOR Optime I Ear Defender with Helmet Attachment

- Ideal hearing protection against noise arising from extremely noisy environments like airports, marine engine rooms, power stations and print works
- P3E/G Helmet attachment for helmet mounting



506-8900

3M™ Disposable Earplugs

E-A-Rsoft™ Yellow Neons™ Earplugs

- Smooth texture for in-ear comfort, are made of an advanced foam for all-day wear and are available in two sizes. Brightly coloured for hearing protection compliance sighting, these earplugs are an excellent choice for any hearing conservation program



358-4141 Disposable uncorded,
Box of 250

385-1687 Corded, Box of 200

3M E.A.R Push-Ins Series

- Soft foam earplugs to provide maximum comfort and low pressure inside the ear
- Stemmed design fits comfortably in earcanals



137-0048 100 pairs per package

3M™ E-A-R™ Classic™ Earplugs

- Classic earplugs were the industry's first foam earplugs, virtually revolutionizing hearing protection. Today, the revolution continues. Classic earplugs meet wearer and environmental needs with its proprietary foams, preferred cylindrical shape and proven in-ear comfort



428-571 Classic Earplug Uncorded

3M™ Push-to-Fit Earplugs

3M™ No-Touch™ Foam Earplugs

- Soft, purple No-Touch™ foam earplugs create a hygienic, noise-reducing seal in the ear with soft foam, a smooth tapered shape and paddle stems. Push-to-fit design makes inserting hearing protection easy, with no roll-down required. Available with or without cord.
- Available with Cord
- Slow-Recovery Foam
- No Roll-Down Required
- NRR 29 dB*



137-0047 29 dB

E-A-R™ Express™ Pod Earplugs

- The unique pod design of Express earplugs allows the foam to compress easily so the earplug slides gently into the ear and expands slowly, making an effective seal for most earcanals.
- Available with Cord
- Slow-Recovery Foam
- No Roll-Down Required
- 19 dB (Class 3)



228-3847 Assorted Corded, Pillow Pack

3M™ Banded Hearing Protectors

E-A-Rflex™ Banded Earplugs

- Hinged headband allows for a variety of wearing positions without compromising other forms of personal protective equipment
- Soft, round 3M™ 1310 earplugs seal the entrance of the ear canal, making them more acceptable to wearers
- Low transmission noise



192-2333 10 Pairs

3M™ Reusable Earplugs

3M E-A-R UltraFit™ Earplugs

- Cord is removable for your convenience
- Re-closable packaging helps keep your PPE clean and safe
- Meets European safety standard EN 352-2 for in-ear protection



240-5894 UltraFit™ Earplug Corded

Uniglove Nitrile Orange PF Disposable Gloves

- The Uniglove heavy duty, single use nitrile gloves offer resistance against a range of chemicals and conform to EN 374. They are manufactured with diamond textured palms and fingertips to provide superior grip, particularly in wet or oily conditions.



230-0741	Small
230-0742	Medium
230-0743	Large
230-0744	XL

Uvex work Gloves

- The UvexHex1 2131 safety glove features full back-of-hand impact resistance for protection against bumps and took slips, as well as a durable TP-X® palm with reinforced stitching pattern. It has Neoprene cuff with Velcro® closure for a secure fit.



251-1070	Size 7
251-1071	Size 8
251-1072	Size 9
251-1073	Size 10
251-1074	Size 11

Ansell Microflex gloves

- Silicone-free to prevent product contamination
- Meets EN 455 standards for disposable medical gloves
- Made to EC 2023/2006 standards for food safety



248-6389	Small
248-6390	Medium
130-1053	Large
130-1054	XL

BM Polyco Grip It

- Grip It Oil C3 gloves give you medium level cut resistance but is resistance to oils and liquids providing a versatile glove with excellent gripping abilities.
- The glove has a two layered nitrile coating giving you maximum protection, flexibility and movement.



124-0675	Small
124-0676	Medium
124-0677	Large
124-0679	XL

Mapa Spontex Black Nylon Gloves

- A polyurethane coating around the palm ensures an excellent grip with excellent abrasion resistance.
- This durable safety work glove provides great protection against tears and providing maximum comfort.



475-704	Medium
475-697	Large

Ansell HyFlex General Purpose, Nitrile Coating Gloves

- The ultra-thin FORTIX™ nitrile foam coating (patent pending) lasts up to three times longer than comparable coatings
- Provides enhanced dry grip and is 20% more breathable than earlier formulations
- Enhanced breathability, comfort and fingertip sensitivity for precision tasks



791-7508	Medium
791-7517	Large
791-7510	XL

Showa Heat Resistant Neoprene Coating

- A comfortable, supple glove providing effective protection against abrasion and with a very good grip
- Protects the hand against hot temperatures Impermeable for working in damp or greasy environments
- Easy to put on and remove Surface provides better grip



212-4490	Medium
212-4491	Large
212-4492	XL

PROTECTION SOLUTIONS FOR INDUSTRY PROCESSES



Ansell is dedicated to worker safety; we provide a comprehensive range of hand, arm and body protection solutions to cover needs across many industries. Before selecting a product, ensure a risk assessment of the hazards has been conducted to determine that the product will provide an appropriate level of protection.

MINING INDUSTRY PROCESSES

1. INFRASTRUCTURE CONSTRUCTION

- Applications:**
- Signalling/positioning
 - Operating of heavy machinery
 - Pipe handling
- User needs:**
- Abrasion resistance
 - Dexterity
 - Comfort
 - Back-of-hand protection



2. EXTRACTION & EXPLORATION

- Applications:**
- Drilling and blasting
 - Hydraulic set and testing
 - Loading and hauling
- User needs:**
- Dexterity and grip
 - Comfort
 - High visibility
 - Crush protection



3. CRUSHING

- Applications:**
- Crushing and unloading ore
 - Primary grinding
 - Inspection of primary product
- User needs:**
- Enhanced wet/oil grip
 - Chemical resistance to splashes
 - Comfort for hot environments
 - Back-of-hand protection



4. WASHING & PREPARATION

- Applications:**
- Concentration, mixing and palletisation
 - Use of binding agents
 - Cleaning of equipment
- User needs:**
- Durability
 - Cut resistance
 - Improved chemical protection
 - Back-of-hand protection



5. TRANSPORT & LOGISTICS

- Applications:**
- Hydraulic repair
 - Product inspection
 - Shipping and loading of product
- User needs:**
- Wet and oil grip
 - Chemical splash resistance
 - Cut protection
 - Crush protection



6. SERVICE/MAINTENANCE

- Applications:**
- Vehicle maintenance
 - Conveyor and long wall maintenance
 - Re-fuel oil, fluid and diesel
- User needs:**
- Cut resistance
 - Durability
 - Dexterity and tactility
 - Crush protection



7. RESCUE & EMERGENCY RESPONSE

- Applications:**
- Accidental chemical releases
 - Rescue/extraction from confined spaces
 - Basic first aid
- User needs:**
- Chemical protection
 - Crush protection



AnsellGUARDIAN®

AnsellGUARDIAN® is our consultative service to help companies select and implement the right personal protective equipment solutions to improve safety, increase productivity and reduce costs. Using our 125 years of experience, proprietary software system and database of over 30,000 chemicals, we analyze PPE needs and identify the solutions that will work best for each company's unique risks and applications. As an industry pioneer with the most advanced technology and analytics, we have evaluated and implemented best business practices in over 15,000 facilities worldwide, reducing injuries and saving companies a total of \$165M. AnsellGUARDIAN® assessments address 7 functional areas:

Ansell Guardian® Chemical can be consulted to provide an assessment of the level of chemical protection offered by our products and may assist in the risk assessment. The determination of suitability of Ansell hand, arm and body protection solutions is the final responsibility of the user.



uvex

protection for mining

Falling debris? Uneven ground?
Abrasive material handling? Airborne dust?
uvex provides optimum solutions for multiple
head to toe applications.



Innovative safety spectacles for all mining industry applications

The **uvex pheos cx2** provides reliable protection against mining site dust, and features an ergonomic eye shield for exceptional comfort – even during long-term wear.



uvex pheos cx2

Flexible safety gloves enable your team to get to grips with the task at hand

The **uvex phynomic XG** glove fits like a second skin, and features an innovative coating for extra grip when handling oily workpieces.



uvex phynomic XG

185-3499	Clear
168-1670	Grey
184-5862	Light Brown

195-1574	Size 6
195-1576	Size 8
195-1577	Size 9
195-1578	Size 10
195-1579	Size 11

protecting people

uvex

RS PRO HI Vis Fleece Jacket

- High visibility
- Two tone
- Zipped
- Elasticated cuffs
- Reflective tape marking
- Adjustable draw cord hem



RS PRO

- 918-6024 Navy/yellow S
- 918-6027 Navy/yellow M
- 918-6021 Navy/yellow L
- 918-6030 Navy/yellow XL
- 918-6033 Navy/yellow XXL
- 918-6037 Navy/yellow XXXL
- 918-6046 Navy/orange S
- 918-6049 Navy/orange M
- 918-6043 Navy/orange L
- 918-6055 Navy/orange XXL

RS PRO Coveralls

- Inherent flame resistant qualities will not diminish with washing
- Protection against radiant convective and contact heat
- 50+ UPF rated fabric to block 98% of UV rays
- Triple-stitched seams for extra durability



RS PRO

- 161-1965 Navy/yellow M
- 161-1966 Navy/yellow L
- 161-1967 Navy/yellow XL
- 161-1968 Navy/yellow XXL

Hi-Vis Warsaw Executive Vest Waistcoat

- Warsaw executive vest waistcoat
- High visibility
- Reflective tape marking – increased visibility
- Contrast panels for dirt protection



RS PRO

- 141-8177 Orange S
- 141-8178 Orange M
- 141-8179 Orange L
- 141-8183 Orange XL
- 141-8292 Orange XXL
- 141-8168 Yellow S
- 141-8169 Yellow M
- 141-8170 Yellow L
- 141-8174 Yellow XL
- 141-8176 Yellow XXL

RS PRO Unisex Hi Vis Shirt

- RS Pro Hi-Vis long sleevedw Polo Shirt is complete with high visibility reflective tape ensuring that you have maximum visibility. The polo shirt is made to a high quality and has a generous comfortable size.



RS PRO

- 124-8190 Navy/yellow M
- 286-4283 Leo Workwear Navy/yellow S - XL

RS PRO HI Vis Bomber Jacket

- High visibility
- Weatherproof
- Studded Storm flap
- Zipped
- Detachable sleeves
- Detachable fur lining
- Detachable hood



RS PRO

- 918-5989 Navy/yellow M
- 918-5983 Navy/yellow L
- 918-5992 Navy/yellow XL

RS PRO Waterproof Hi Vis Work Trousers

- RS Pro Hi-Vis trousers make you stand out and visible especially when working on motorways and traffic. The trousers are designed to keep out wind and rain and manufactured to a high specification.



- 918-5866 Orange/navy S
- 918-5860 Orange/navy M
- 918-5879 Orange/navy L
- 918-5872 Orange/navy XL
- 918-5876 Orange/navy XXL

Gate Valve Lockouts

- Hinged safety lockouts
- Prevents access
- High-quality polyurethane
- Ideal for extreme weather conditions
- Multiple sizes available



221-5287	254mm Attachment red
221-5288	335mm Attachment
221-5284	63.5mm Attachment
221-5286	165mm Attachment
221-5285	127mm Attachment

Transparent push button lockout device

- Prevent the unauthorised use of push button emergency devices. Suitable for 16 mm push button diameters.
- Made of rugged polycarbonate
- -20° C to 80°C operating temperature



237-0542	2370542
-----------------	---------

Miniature circuit breaker lockouts

- Safe and effective method for locking out miniature circuit breakers, commonly used in European and Asian equipment.
- Easy installation with no tools required
- Low profile design allows panel door closure
- Available for single and multi-pole breakers
- Attach a Brady safety padlock to complete lockout



237-0544	Pack of 1
237-0545	Pack of 6

Steel Lockout Hasp With Tab

- Steel Lockout Hasps from Brady® have tamperproof interlocking tabs to prevent unauthorized opening.
- Bright red vinyl insulation
- 6 padlocks can be attached
- Maximum 9.53 mm shackle diameter



237-0534	4.372 H x 1.575 W
237-0535	4.97 H x 1.575 W

Cylinder Tank Lockout

- Revolutionary rugged polystyrene plastic device is used to lockout cylinder tanks, including propane tanks on fork trucks and standalone propane tanks.
- Special design allows device to be used in tight spaces
- Valve stem hole is 1.25" in diameter



237-0516	1.25" in diameter
-----------------	-------------------

BatteryBlock Forklift Power Connector Lockout

- Keep forklift and lift vehicles locked out and locked down. Non-conductive pins ensure the device stays tightly in place during off-shift periods or maintenance projects.
- Single-piece design don't need to keep track of extra pieces
- Non-conductive pins ensures the device stays secure during maintenance projects and off-shift periods



237-0557	2.62 H x 5.28 W
-----------------	-----------------

Pull Handle Butterfly Valve Lockout

- Exclusive, anti-pivot lockout device fits the full range of pull handle valve sizes, from ½ in. to 8 in. diameter
- A convenient, one-piece design that stays together whether in use or in storage
- Holds up to four worker padlocks



237-0558	0.5 - 8 in
-----------------	------------

Combined Lock Storage and Group Lockout Box

- A handy box which features a lockable storage compartment and a group lockout compartment. Accommodates 17 padlocks, and storage compartment can hold approximately 50 padlocks.



 BRADY

237-0532 2370532

237-0533 2370533

Prinzing Gas Cylinder Lockout

- Adjustable and installs in just seconds. Device is manufactured to accommodate neck rings up to 88 mm in diameter.
- Polypropylene body
- dimensions
- Red in colour
- -20 °C to 80 °C service temperature



 BRADY

237-0513 158.80mm (H) x 88.14mm (D)

SteelGroup Lock Box

- With a group lockout box, each employee retains exclusive control (as required by OSHA) by placing his own lock on the lockout box, which holds the keys to the job locks
- As long as any one worker's lock remains on the lockout box, the keys to the job locks contained inside cannot be accessed
- Padlocks sold separately



 BRADY

237-0515 Max 10 padlocks

3-in-1 Electrical Plug Lockout

- Accommodates high and low voltage plugs up to 76 mm in diameter and 139 mm in length. 2 sliding top lids can be used individually or together to accommodate small, medium and large-diameter cords up to 31 mm.
- Made in bright yellow thermoplastic
- With English instruction labels
- 158.75 mm (H) x 88.14 mm (Diameter) dimensions



 BRADY

237-0514 158.75mm (H) x 88.14mm (D)

Original Cable Lockout

- The Original Cable Lockout from Brady® is an easy-to-use multi-purpose energy isolation solution, ideal for unusual devices that can't be locked out using traditional devices
- The Original Cable Lockout Device from Brady® is constructed of impact modified nylon



 BRADY

237-0511 Blue

237-0512 Yellow

237-0518 Red

Butterfly valve lockout device

- Can be used to lock a butterfly valve in the OFF position by clamping down on the handle so that it may not be engaged or moved.
- Impact modified nylon 6/6
- Brass rivets
- Stainless steel threaded rod, nut, and plate



 BRADY

237-0536 Small

237-0537 Large

HAZARDOUS SOLUTIONS

Discover our wide range of products built to withstand the hazardous environments with chemicals and underground.



Browse and shop thousands more brands and products online at www.rsonline.com | www.rsonline.africa

CAT Holton Steel Toe Capped Safety Boots

- Full grain leather upper
- 200 Joules toe protection
- Heat resistant sole to 300°C
- Polyurethane air insole



327-3239	HOLTON SB BROWN 9
327-3447	HOLTON SB Blk 6
327-3431	HOLTON SB Blk 7
327-3403	HOLTON SB Blk 10
327-3223	HOLTON SB BROWN 10
327-3380	HOLTON SB Blk 12
327-3419	HOLTON SB Blk 9
327-3396	HOLTON SB Blk 11
327-3251	HOLTON SB BROWN 7
327-3425	HOLTON SB Blk 8
327-3217	HOLTON SB BROWN 11
327-3201	HOLTON SB BROWN 12

MP5 hazguard coverall

- Two-way zipper makes it easy to put on and take off
- Storm flap prevents contaminants and moisture from entering through the zip
- 3-panel elasticated hood for head-to-foot coverage



185-7208	1857208 XL
185-7219	1857219 M
185-7206	1857206 M
185-7224	1857224 M
736-9766	7369766 M
736-9769	7369769 L
736-9763	7369763 XL

MP4 hazguard coverall

- SMMS (two layers of meltblown fabric between two layers of spunbound fabric) construction is lightweight, breathable and strong
- Meets ISO 14116:2008 standards for limited resistance to flame spread to ensure safety in the event of a fire



235-3000	1857220 L
235-3001	1857218 XXL
235-3002	1857214 XL
235-3004	1857226 XL
235-3005	1857215 L

Over The Spill Station Kit

- Station kit mounts to any flat surface
- Durable construction
- Includes 25 absorbent pads
- Highly visible – Yellow colour
- Black warning message reads – Caution Wet Floor
- Durable construction
- Refillable dispenser



123-6012 Pads x 25, Plastic Dispenser

Electrical Protection Insulating Gloves

- Designed specifically for electrical safety on applications up to 1000V
- Premium quality thick latex construction with an excellent grip
- Gauntlet design offers additional protection around the hand for easy working



918-2227	Size 8	R2,017.54
918-2221	Size 9	R2,037.23
918-2230	Size 10	R2,035.74

Illuminated Pushbutton

- Vandal resistant stainless steel switch body & button
- Dot or ring illumination
- Single pole, push to make
- Bright Daylight LEDs
- Separate LED terminals
- 750,000 mechanical operations minimum



708-3052 Red/Green 19.2mm

708-3046 Green

708-3059 Blue/Green

708-3068 Amber

Preventa ATEX D

- Metallic guard switches that can be used in potentially explosive DUSTY environments for safety applications
- Zones 21-22
- Protection mode tD
- Suitable for Category 4/PLe circuits (EN ISO 13849-1)



666-4938 2NO/1NC

666-4947 2NC/1NO

666-4956 2NC/1NO

INGRESS PROTECTION (IP) RATINGS

IP ratings are represented by combining the digits of the columns below.

1st= Degree of protection against solid objects

No Protection	0
Protected against solid objects greater than 50mm.	1
Protected against solid objects greater than 12.5mm.	2
Protected against solid objects greater than 2.5mm.	3
Protected against solid objects greater than 1.0mm.	4
Protected against dust that could cause sufficient harm.	5
Protected against all dust.	6

2nd = Degree of protection against water

0	No Protection
1	Protected against drops of water.
2	Protected against drops of water at a 15 degree angle.
3	Protected against solid objects greater than 2.5mm.
4	Protected against water sprays splashing from any angle.
5	Protected against water jets from any angle.
6	Protected against powerful jets of water or heavy seas.
7	Protected against temporary immersion in water (30 minutes at 1M).
8	Protected against the effects of permanent immersion in water (up to 5M).
9K	Protected against close-range high pressure, high temperature spraydowns (80 degC water at 80-100bar for 30sec x 4 angles).

Example:



IP RATED
IP66

Stainless Steel Terminal Box

IP RATED
IP66

- Operating temperature -20°C to +110°C
- Multiple DIN rail fixing points, M5
- External M6 earthing stud
- Double lipped edges



758-7065 300mm x 200mm x 120mm

PE Spill Tray with Grate

- Accommodate 40 litres of liquid and is versatile enough to be used across a wide range of spill management applications
- The polyethylene construction is corrosion-free and hard-wearing, perfect for industrial applications



893-0378 40 L

400 Series Buccaneer

IP RATED
IP68

- With a lightweight and rugged construction, these sealed circular plastic connectors offer highly reliable power or signal connections for use within medical, industrial, infrastructure and automotive applications where space is limited



426-0981 8 WAY CABLE SOCKET, 5A

426-0931 8 WAY CABLE PLUG, 5A



HARSH ENVIRONMENTS

Rugged environments and extreme conditions require quality products and a reliable distribution service.



Browse and shop thousands more brands and products online at www.rsonline.com | www.rsonline.africa

Dickies Reusable Coverall

- A red hawk zip front coverall having a full back elasticsation and an action back with two large back patch pockets and one zippered.
- Made up of polyester
- Double pencil pocket on sleeve



254-9893	S
254-9887	M
254-9889	L
254-9890	XL
254-9898	XXL

Foldable Flatbed Platform Trolley

- Handy to store in vans and in the boot of cars
- Plastic platform with integral handles
- Castors fold underneath platform for compact storage
- Comfort handle for extra grip when manoeuvring



909-7031 920 x 680 x 410mm

Commercial Products 3 Shelf PP Trolley Cart

- Professional janitor cart designed for collecting waste and transporting tools
- Smooth, easy-to-clean surface
- Zippered bag for easy rubbish removal
- Non-marking wheels/castors



794-8038 2 Fixed/2 Swivel

BRUTE container

- Features innovative solutions for making refuse collection and storage more efficient.
- Innovative venting channels make lifting out liners up to 50% easier, improving productivity and reducing the risk of injury.
- Integrated cinches secure the liner, allowing for efficient knot free liner changes. Tested to 20,000 cycles. Proprietary design constructed with the highest quality material plus a UV inhibitor ensures long life in even the most extreme commercial environments. Guaranteed to never fade, warp, crack, or crush.
- Rounded handles make lifting and moving easier, and are reinforced to resist tearing or damage from even the heaviest loads.



230-8231	Polyethylene Waste Bin - 75l
146-2786	Polyethylene Waste Bin - 167l

Commercial Products 3 Shelf PP Trolley Cart

- Polythene top covers which offers a quick easy economical solutions for protecting your goods from damage, rain and other contamination during storage or transportation
- Convenient covers to fit various pallet sizes
- Protects upper surface of pallets from moisture, dirt and scratches



912-9315 1.8 mm x 1.8 mm

HPPE, Polyester Cut Resistant Food Work Gloves

- Seamless polyester liner with HPPE and encapsulated glass fibre is breathable and ideal for use in areas where cut protection is required
- EN ISO cut level D (≥15N & <22N) designed to protect against high level cut hazards
- Approved for use in food prep and handling



UNIGLOVES®
KEEPING YOU SAFE

264-6729	XS	Box of 50	264-6732	L	Box of 50
264-6730	S	Box of 50	264-6733	XL	Box of 50
264-6731	M	Box of 50	264-6734	XXL	Box of 50

Premier Toe Capped Men Safety Boots

- Upper: Full Grain Leather or Nubuck
- Lining: Nylon Mesh + 400g Thinsulate®
- Sock Liner: Nylon Mesh
- Midsole: Polyurethane
- Outsole: T1200
- Construction: Cement



184-5849	7			
184-5850	8			
184-5851	9	184-5853	11	
184-5852	10	184-5855	12	

Unisex Hi Vis Jackets

- A lightweight giving you maximum coverage with a minimal weight
- Complete with reflective tape on the arms and body giving maximum visibility



Challenger Steel Toe Capped Men's Safety Boots

- Safety level S3 Shoe
- Premium waterproof leather upper
- Sympatex waterproof and breathable membrane
- TPU sole resistant to 120 °C
- Dual-density anti-bacterial insole
- Shock absorption
- Lightweight and flexible
- Outsole resistant to petrol, chemical's, oil and heat



DEWALT

863-8076	6	Black		
863-8085	7	Black	863-8091	10 Black
863-8088	8	Black	863-8094	11 Black
863-8082	9	Black	863-8098	12 Black

RS PRO

124-8200	S to M
124-8198	L to XL
124-8199	2XL to 3XL
271-8615	XL
184-5965	2XL
184-5966	3XL

Harmony XALK Emergency stop

- Easy to use "turn to release" functionality for easy reset once activated.
- Light grey RAL 7035 base enclosure, with a yellow RAL 1021 cover colour and a prominent, bold red push button for easy identification to its function.
- Durable Polycarbonate material, easy to clean and maintain with added durability for extended use (mechanical durability of 300,000 cycles).



795-1295

795-1299

Jokab Interlock Switch

- Reduce downtime
- No wear
- No mechanical breakage
- Easy to install
- Local reset function
- Operating temperature ranges between -40°C and +70°C
- Suitable in harsh environments



176-0019 ADAM DYN-INFO M12-5 CONTACT

(SPST) Momentary Blue LED Push Button Switch

- Provides a highly customisable vandal-proof product with premium look & feel
- Vandal-proof design with rear mounting jam nut
- Various pushbutton symbols including plain, ring & power logo



- 123-6070 Blue
- 123-6077 White
- 123-6097 Red
- 123-6126 Green

Snap-Action Limit Switch

- Voltage rating of 600V AC for use in high-power systems
- Compact dimensions of 106.78 (length) x 41.1 (width) x 61.9mm (depth) for use in areas with limited space

IP RATED
IP67



Honeywell

691-7257 600V AC

OsiSense ATEX D Limit switches

IP RATED
IP67

- Positive opening snap action contacts
- Ideal for explosive dust atmospheres applications
- Spring return roller plunger steel operator



221-2905 Roller

221-2906 Plunger

221-2907 Roller

Bulgin Miniature Push Button Switches

- Momentary action switches with slow make-and-break contacts.
- Single hole fixing to clear 7.4mm.
- Solder terminals



320-629 SPNO

320-641 SPNC

(SPDT) Momentary Blue LED Push Button Switch

- Silver, round, flat actuator
- Natural case colour
- Contact voltage rating of 250 V AC
- Single Pole Double Throw (SPDT) contact configuration
- Contact current rating of 5 A
- Copper contact material



111-3783 Panel Mount, 250V ac

OsiSense XS ATEX D Inductive proximity sensors

- Detection of metal objects up to 60mm
- High performance technology
- Comprise a sensing face winding oscillator
- High corrosion and impact resistant nickel plating



Telemecanique Sensors

221-1744	6...150c/mn
221-1748	120...3000c/mn
221-2982	Sn4mm
221-1698	Sn15mm

OsiSense ATEX D Electromechanical pressure sensor

- Operating in any position
- Diaphragm actuator for operating from any position
- Snap action silver contacts
- External setting



Telemecanique Sensors

221-0089	10bar, 1 C/O
----------	--------------

Magnetic Pickup Sensor

- An 'active' version of the standard type (Stock no. 304-166) but incorporating an IC to provide a digital output compatible with most logic systems
- Requires a peripheral speed greater than 250mm per second to operate



RS PRO

304-172	5 → 15 V dc
---------	-------------

Pepperl + Fuchs Inductive Ring-Style Proximity Sensor

- Operating temperature range: Stock no. 328-1397 -20 to +65°C, Stock no. 328-1410 -25 to +70°C
- Must be used with isolation barrier interface see typically (RS stock no. 703-7043)
- IP67 Housing material PBT
- Prewired 2m x 2 core PVC
- Output configuration N/C (3mA face free, 1mA face covered)



PEPPERL+FUCHS

328-1410	0 → 300 mm Detection
328-1397	0 → 300 mm Detection, Box of 540

M1500LF Relative Humidity Transducers

- Constructed from a patented solid polymer structure and provide reliable and accurate measurements,
- Full interchangeability
- Compact size
- Very low temperature dependence
- Not affected by water immersion
- Suitable for 3 to 10 V dc supply voltage



TE AUTHORIZED DISTRIBUTOR

893-7247	HM1500LF
----------	----------

Inductive Proximity Sensor

- 40 x 40mm "limit switch" style PBT housing and sensing face
- Adjustable sensing head, 9 positions
- Fixed terminal base for quick sensor replacement
- Connection via terminal compartment
- Yellow LED output status display



TURCK

385-1205	Block, 40 mm Detection
----------	------------------------

Lifting and boosting station

1 XMLA or XMX Pressure Sensor

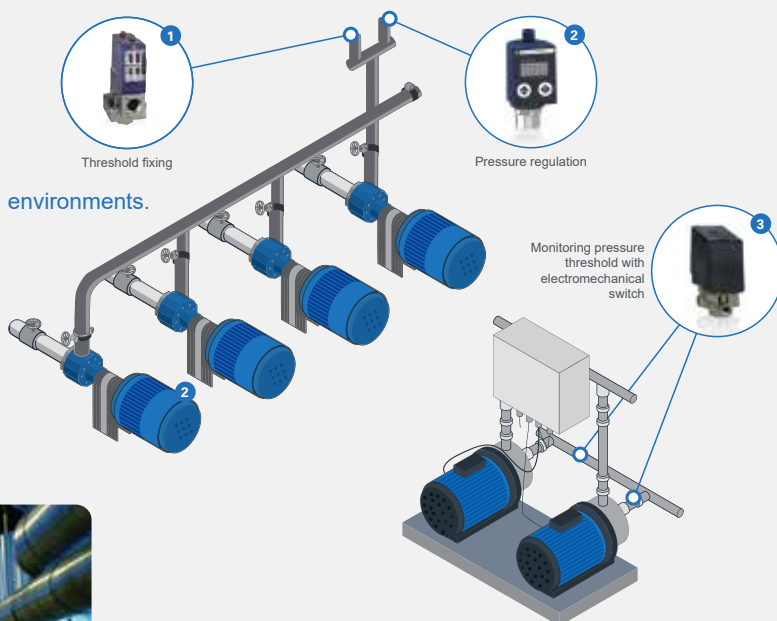
Simple regulation between two thresholds; XMLA designed for harsh environments.

2 XMLR Pressure Switch

Easy, two-button configuration.

3 XMP Pressure Sensor

Direct power switching up to 3 kw.



Telemecanique Sensors

CP2E Compact PLCs

- A Micro PLC for compact equipment where Price/Performance ratio is a key, while supporting data collection and Machine-2-Machine communication



196-3745 8 in, 6 out relay

Touch-Screen HMI Display

- High-performing HMI display used to monitor machines
- Perform tasks and visualise operational status
- Can be used as a stand-alone device, offer communication ports
- High precision four-wire resistive touch-screen, and excellent communication stability.



221-3481 4.3 inch

250-8925 4.3 inch

250-8929 15 inch

250-8926 7inch

Soft Starter

- Intended to start and stop asynchronous motors supplied from 208V to 690V. It meets the requirements of the most demanding applications in normal and heavy duty.



254-6257 690 V ac, 3 Phase

FLEXIS Flexi Soft

- The Flexi Soft safety controller can be programmed via software.
- Thanks to the modular hardware platform, Flexi Soft provides a tailored and efficient solution for a whole host of safety applications.
- A wide range of modules are available: main modules, gateways, digital and analog input/output modules, Motion Control modules, as well as relay modules. The license-free Flexi Soft Designer configuration software enables intuitive programming, rapid commissioning, and continuous diagnostics down to the automation level. Functions to enable safe controller networking, safe series connection, or safe drive monitoring reduce costs and boost productivity. A whole host of additional functions means that Flexi Soft is able to bridge the gap to system solutions from SICK.



480-926 Analog input module UE410-XU3T5

480-932 Gateway UE410-8DI3

M262 Logic Controller

- The M262 Logic/Motion Controller is a control system that offers an all-in-one solution for motion applications and a scalable solution for logic applications, with optimised configurations and an open, expandable architecture
- 7 remote and 7 local I/O expansion modules
- With a real time clock
- LED signalling



201-1450 4 Inputs, 4 Outputs, Transistor

Operating Panel Interface

- Small footprint with space-saving dimensions of 124.6 (L) x 107.6 (W) x 59.5mm (D)
- Wide operating temperature range of -20°C to +55°C for compatibility with hot and cold settings
- 12 inputs and 8 outputs for connection with numerous I/O (input/output) devices
- Energy-efficient so saves on power consumption



468-4466 Modicon X80 EIO drop adapter for Ethernet + X-bus racks

468-4264 Modicon M580, Ethernet 3 port Factory Cast Ethernet

468-4220 Modicon X80 Ethernet RIO drop optical repeaters multimode

Alpha Wire 300 V PVC Hook Up Wire

- Stranded or solid tinned copper conductors protecting the wires from corrosion and increasing efficiency in hot and humid environments
- Colour-coded insulation for easy circuit identification
- Easy to handle, strip and terminate
- PVC insulation
- Available in lengths of 100 ft (30.5 m) and 1000 ft (305 m)



168-1571	Red
176-9788	White
168-1593	22 AWG Blue 30m
176-9794	24 AWG Black 30m
176-9817	24 AWG Green 30m



ÖLFLEX HEAT Series High Temperature Wire

- Temperature Resistance
- Cold Resistance
- Resistance to some oils and chemical substances
- Halogen-free according to IEC 60754-1
- Corrosiveness of combustion gases according to IEC 60754-2



LAPP

724-4531	1.0mm Red -50 to 180 D
724-4547	1.5mm Grn/Yell -50 to 180
724-4550	1.5mm Blue -50 to 180 D
724-4553	1.5mm Brown -50 to 180 D
724-4557	1.5mm Yellow -50 to 180 D
724-4383	1.5mm black -40 to 70D

Type 44® wire

- Dual wall construction
- Small size, lightweight
- Low smoke and corrosive gas generation
- Resistant to most chemicals & electrical arc tracking
- Highly flame retardant
- 600 V Voltage Rating



789-3688	1.23 mm ² , 16 AWG
789-3676	1.3 mm ² 16 AWG

Universal Crimp Tool for Deutsch Connectors

- From Deutsch, this universal hand crimp tool has an eight-indent crimp designed to be used with solid contacts sizes 12, 16 and 20.
- Used with both pin and socket contacts, the crimp tool features a simple screw adjustment for height/contact size, and a dial to select applicable wire sizes.



425-973

SOLARLOK PV4-S connector kit

- Provides waterproof protection
- Minimizes power loss by providing low contact resistance



190-2029 (Pack of 5)

Adhesive lined Heat Shrink Tubing

- High strength bonding
- Moisture proof
- Flame retarded jacket
- Environmental sealing



481-1804	9.5 mm
481-1826	19 mm
481-1832	24 mm



YOUR SMART CHOICE FOR MECHANICAL MAINTENANCE.

From bearings to solenoid valves, from seals to hoses, and with all types of fittings - pneumatic and hydraulic - RS PRO has what you need to maintain your production to high-quality standards, at the price you expect.

Bearings and Seals

- Our recently extended choice of bearings and seals, in a wide and specialised variety of sizes and types.



Visit rspro.com or scan the QR Code to view over 2,600 products in our Bearings & Seals range



Pneumatics & Hydraulics

- Find the pneumatic parts and components you need, including fittings, seals and cylinder



Visit rspro.com or scan the QR Code to view over 2,200 products in our Pneumatics & Hydraulics range



Pressure Gauges

- Prevent failures and costly downtime by avoiding under or over pressure with quality gauges from RS PRO.



Visit rspro.com or scan the QR Code to view over 20 products in our Pressure Gauges range



Belts & Pulleys

- Keep your processes and machinery in motion with the right belts and pulleys.



Visit rspro.com or scan the QR Code to view over 700 products in our Belts & Pulleys range



Air Hoses

- Rely on strong, flexible and highly pressure-resistant RS PRO air hoses.



Visit rspro.com or scan the QR Code to view over 200 products in our Air Hoses range



Structural Systems

- Build your own framework or a customised structural system with our extensive RS PRO offering



Visit rspro.com or scan the QR Code to view over 350 products in our Structural Systems range



Discover more at <https://africa.rsdelivers.com/ourbrands/rspro>



DS6281-EV 2/2 Solenoid Valve - Stainless Steel

- 2 way servo assisted solenoid valves suitable for use with neutral fluids such as compressed air and water.
- N/C (Normally Closed) and N/O (Normally Open) versions available with NBR (Nitrile Rubber) or FKM (Fluroelastomer) seals.
- Usable for a variety of applications including heating and refrigeration, water treatment, compressed air and vacuum systems
- ATEX approved versions available.



816-3253 2/2

VUVG Solenoid Valves

- The innovative design allows the control valve to be set to internal or external pilot air supply for manifolds with sub base valves
- The connection technology is easy to change via the electrical connection box
- Pressure range -0.9 bar to 10 bar for maximised energy density and more power



202-1343

121-5890

175-2143

Ball valve type 546 Pro PVC-U With solvent cement sockets inch BS

- Lockable lever as standard
- For easy installation and removal
- Ball seals PTFE
- Integrated stainless steel mounting inserts
- Z-dimension, valve end and union nut are compatible with type 546 (1stGeneration)
- Option:
- Interface-module with position feedback sensor, incl. LED feedback
- Manual spring return lever ("Dead man")
- Pneumatic or electric actuators from GF
- Individual configuration of the valve possible
- Multifunctional module with integrated limit switches



192-0582 2 Way Ball Valve, 2in, 16bar

Wafer Pattern Butterfly Valve

- Fitted with Pneumatic Actuator
- Wafer with Stainless Steel Disc - with Double Acting Actuator
- Body Cast Iron GG25 Polyurethane Coated
- Disc/shaft 316 Stainless Steel
- Liner EPDM / NITRIL



799-8800 3in

Advanced Polyethylene (APE) Tubing

- 50% reticulated material
- Balance between flexibility and pressure/temperature resistance
- Resistant to a wide range of aggressive chemicals
- UV-stabilised: ideal for outdoor applications
- Approved for contact with foodstuff and beverages



PEN Series Polyethylene Tubing

- FESTO PEN series polyethylene tubing offers high level of abrasion resistance and its suitable for a wide range of tasks. Flexible thanks to highly resistant materials and it is easy to install Superior quality pneumatic fitting
- Resistant to most cleaning agents and lubricants
- Tubing characteristics - Suitable for energy chains in applications with high cycle rates



144-7831 Black 8x5,75 Drum 150m

144-7829 Black 6x4 Drum 150m

144-7828 Incolour 6x4 Drum 150m



126-3104 8mm x 50m, Blue

126-3103 6mm x 50m, Blue

126-2777 6mm x 50m, Black



INDUSTRY 4.0 ADVANCED TECH

Prepare for the future of the mining & utilities industry with these advanced technologies.



Browse and shop thousands more brands and products online at za.rs-online.com | www.rsonline.africa

STARTER KIT Development Kit

- 1 CAN module with 32 buffers and 16 receive filters
- 2 SENT (single edge nibble transmission) modules
- 2 UARTs with LIN/J2606 support
- SPI and I2C serial interfaces



871-1767 PSoC

MCU Development Board

- The PanelPilotACE SGD 70-A uses Lascar's PanelPilotACE Design Studio, a free drag-and-drop style software package that allows for rapid development of advanced user interfaces and panel meters
- 7" TFT display with 16.7M colours
- Capacitive touch screen
- Four 16-bit to $\pm 40V$ d.c.
- 5 to 30V d.c. (1A typical at 5V d.c.) supply



822-4052 NUCLEO-F411RE

Sick Flexi Loop

- Flexi Loop can connect up to 32 safety sensors in series in compliance with the highest performance level PL e
- Safety switches and safety sensors with OSSD outputs can be used together, regardless of manufacturer
- Detailed diagnostic information is also available for each sensor or switch



213-3778 Node For Safety Sensors

213-3780 Input/Output Module

213-3779 Module To Terminate Series Connection

Mini I/O Plug Kit

- Industrial Mini I/O plug connectors with a compact, space saving design and a latching wire to board I/O interface
- The Mini I/O plug connectors feature two points of contact on the contact interface for high electrical reliability in high vibration environments



703-9673 8 Way

Temperature & Humidity Sensor, Digital Output

- Battery powered, long range sensor platform leveraging the benefits of LoRaWAN and Bluetooth low energy (BLE) Connectivity's.
- Small, rugged form factor contains superior RF performance and multiple sensor capabilities including open-closed detection alongside temperature and humidity, making it a perfect fit for cold chain applications.
- Mounting style screw mount



SHT4xI Digital Humidity Sensor

- Digital sensor platform for measuring relative humidity and temperature with different accuracy classes.
- The sensors can be interfaced via several preconfigured I2C addresses with I2C fast mode plus and CRC checksum.
- Temperature accuracy of up to $\pm 0.2\text{ }^{\circ}\text{C}$



212-0327 868MHz 455-00041
212-0326 915MHz 455-00040



236-5204 Entwicklungskit SEK-SHT41I
236-5208 SHT4xI Temperatur- und Feuchtigkeitssensor

TE Connectivity Pressure Sensors

- Small ceramic-based pressure transmitter for PCB mounting
- TE Connectivity Pressure Sensor IC is a small, ceramic based, PCB mounted pressure transducer from TE Connectivity.
- PCB Mountable



TELAIRE T6615 2-Channel CO2 Sensor Module

- Designed to integrate into existing controls and equipment for use in instrumentation and applications up to 50,000 ppm.
- Quick, easy and efficient monitoring.
- Enhanced stability, accuracy and reliability



239-1733 4525-SS5A015VP 15 psi
239-1734 4525-SS5A100GP 100 psi



210-5102 T6615-5K Diffusion 0 \square 5.000 ppm
210-5104 T6615-EVAL Entwicklungstool

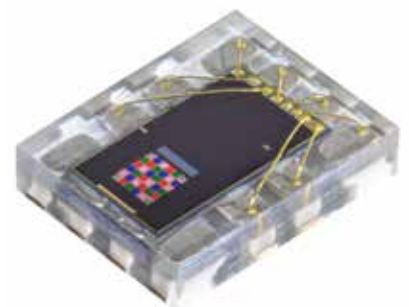
HPMA Particle Sensors

- Laser-based, fully calibrated sensor that can be detected by light scattering.
- Detects and counts particles
- EMC: Heavy industry level according to IEC61000



ALS Farbsensor

- Features ambient light and colour sensing, proximity and flicker detection with five concurrent ambient light sensing channels as red, green, blue, clear, and wideband.
- Ultra-high ALS and colour sensitivity
- 50/60 Hz ambient light flicker detection channel



214-1433 HPMA115C0-004
214-1432 HPMA115C0-003



232-9723 TCS37013 0x39 1.8V I²C
232-9727 TCS37073 0x39 1.8V I²C

Electric makes energy green. Digital builds a smart future. Automation makes the process efficient.

Integrated operations center

- Centralized control and analytics distribution:
 - Electrical distribution
 - Process automation and control
 - Process simulation and optimization
 - Integrated asset performance
 - Production management
 - Value chain management

Rail to port

- Power distribution: MV, LV, switchgear, monitoring, analytics, etc.
- Process automation and control: PLC, DCS
- Unified supply chain visibility: real-time information and analytics
- Immersive training, AR integrated workforce

Services

- Energy and sustainability
- Electrical distribution and automation (field)
- Cybersecurity

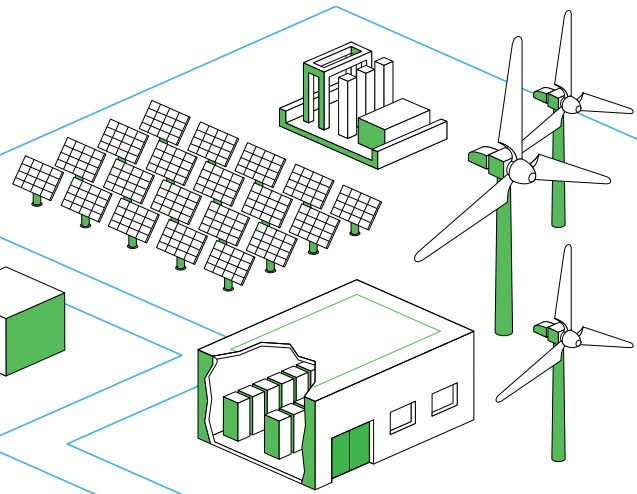
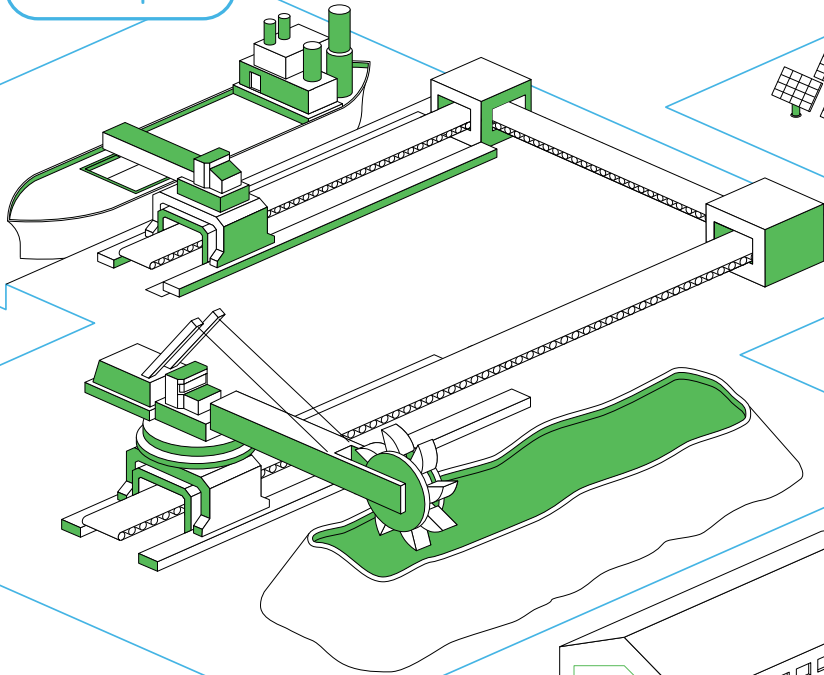
Processing/Water treatment plants

- Power distribution: MV, LV, switchgear, monitoring, analytics, etc.
- Process automation and control: PLC, DCS
- Process simulation and optimization
- Integrated operations analytics: digitized asset performance, maintenance, and production
- Immersive training, augmented reality, integrated workforce

Drill/Blast/Mine

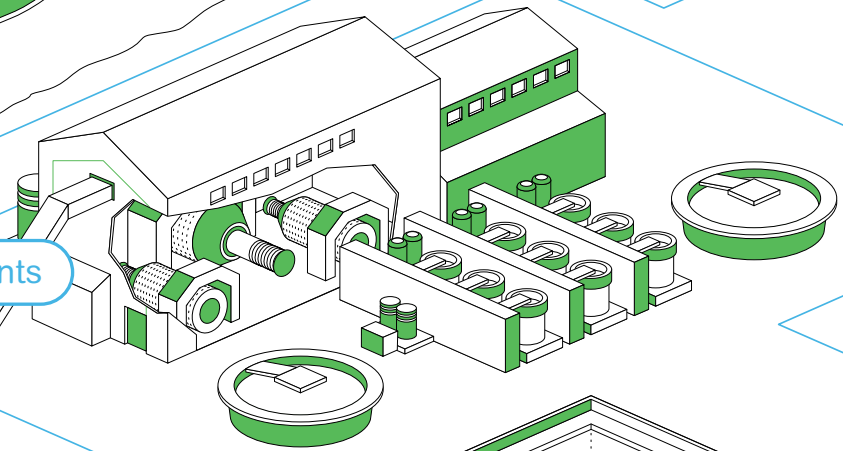
- Optimized power distribution: MV, LV, switchgear, e-House, monitoring, analytics, etc.
- Microgrids, renewables, and sustainability financing
- Maintenance workshops
- Accommodation camp
- Data centers
- Immersive training, AR, integrated workforce

Rail to port

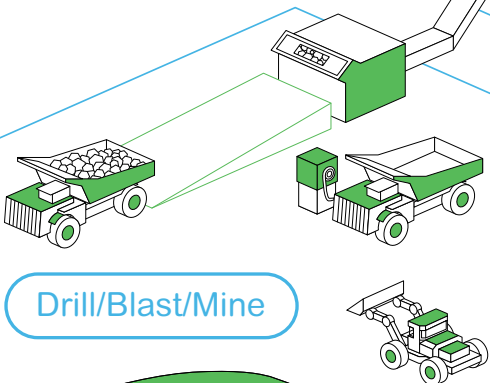


Services

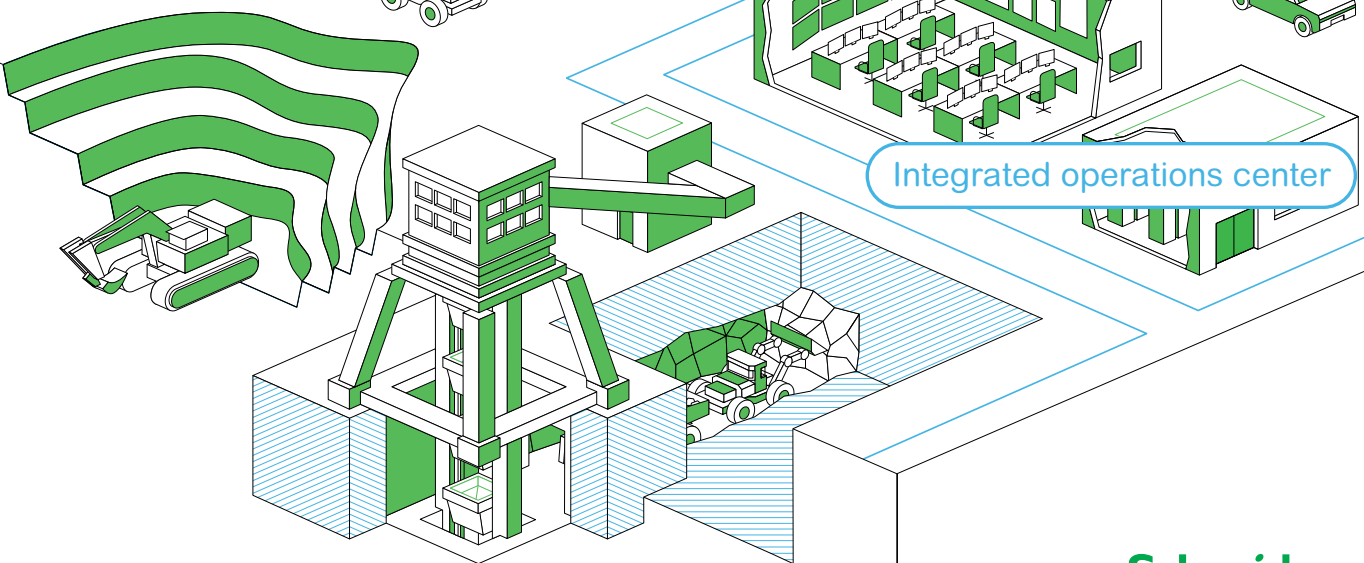
Processing/Water treatment plants



Drill/Blast/Mine



Integrated operations center



Connecting field data to enterprise systems and a cloud-based integrated operations center

EcoStruxure™ is IoT-enabled, open, and interoperable architecture that creates collaborative environments that connect field-enterprise



Mining

Cement



* The Schneider Electric industrial software business and AVEVA have merged to trade as AVEVA Group plc, a UK listed company. The Schneider Electric and Life is On trademarks are owned by Schneider Electric and are being licensed to AVEVA by Schneider Electric.



Iron & Steel

Aluminum

Glass



EcoStruxure Asset Advisor, EcoStruxure Power Advisor, EcoStruxure Microgrid Advisor, EcoStruxure Resource Advisor

Field Services



EcoStruxure Foxboro DCS



EcoStruxure Power SCADA Operation



EcoStruxure Power Automation System



EcoStruxure Power Monitoring Expert



PowerLogic



Galaxy



EcoStruxure



YOUR SMART CHOICE FOR IOT SOLUTIONS

With over 8,400 IoT enabling & smart connectivity products, from IO-Link sensors, data cables and HMI displays to antennas and network testing equipment.

Embrace the IoT revolution for less with the help of RS PRO.

M12 Splitter Boxes

- Nickel plated brass contacts
- MODBUS and Zigbee wireless models protected to IP55
- Wired and Terminal block models protected to IP65 / IP67
- PBT Plastic Housing
- Operating Temperature of 0 to 55 °C
- 24 V DC + 10% supply voltage



877-1176 5 way, 6 port

877-1179 5 way, 4 port

877-1185 5 way, 4 port

Ethernet Switches

- Five RJ45 ports
- Width of 23 mm
- Operating temperature range of -40°C to +80°C
- Supply voltage range of 5 V to 30 V DC
- DIN rail mounting
- Gigabit series



189-0537 94 x 99mm

189-0536 95 x 99mm

Ultrasonic Proximity Sensors

- High-performing HMI display used to monitor machines, perform tasks and visualise operational status
- This HMI offers a 7-inch control panel screen, can be used as a stand-alone device, offer multi-communication ports, a fluent touch-screen, and excellent communication stability



237-0799 0 → 300 mm Detection

166-9497 0 → 300 mm Detection, Box of 540

Touch-Screen HMI Displays

- High-performing HMI display used to monitor machines, perform tasks and visualise operational status
- This HMI offers a 7-inch control panel screen, can be used as a stand-alone device, offer multi-communication ports, a fluent touch-screen, and excellent communication stability



215-6607 7 in, 800 x 480pixels

215-6606 10.2 in, 1024 x 600pixels

215-6605 7 in, 800 x 480pixels

215-6604 7 in, 800 x 480pixels

Absolute Wireless Pressure Transducer

- Pressure ranges from 0-50mbar to 0-1000mbar gauge
- Up to 750 m line-of-site range (depending on receiver)
- Piezoresistive thick film ceramic sensor with stainless steel body



123-5249 500mbar Max

Network Tester

- Can test multiple cables such as: UTP, STP, Cat5E, Cat6, Cat6A and Coaxial cables
- Included toner probe helps with testing
- Locate and identify the distance of an open or short circuit No power supply needed. Just a 9V battery. Low battery indicator included



146-6833 F, RJ12, RJ45, 2670



Barcode Scanner

- Third generation image scanning technology offering accuracy and precision
- Ergonomic design to fit comfortably in the hand
- Can switch between automatic scanning or manual scanning via the trigger
- 360° scan angle ensuring quick and easy scanning



206-7501 2D Scanning

Temperature Data Logger

- Isolated Input Protection of 350 Vp-p between any two inputs
- Highly accurate thermometer with thermocouple K, J, E, T, R, S, N, L, U, B, C types
- 4 input functions for temperature display
- Programmable High / Low alarm for 4 inputs



123-2235 4 Input Channels

Fibre Optic Sensor

- Fibre-optic sensor
- PVC cable electrical connection
- Response Time <1 ms
- PVC cable electrical connection
- Length of 65 mm
- Minimum operating temperature of -10°C
- Maximum operating temperature of +55°C
- Housing material of ABS PC
- Red LED light source



896-7305 NPN-NO, PNP-NC Output

Logic Controllers

- Computer programming interface
- Operates from -10°C to +55°C
- Commercial and industrial application
- ModBus network type
- Serial communication port
- Uses ladder programming language
- Programming capacity of 250 lines
- Screw termination
- One communication port



917-6377 Analogue, Digital

917-6373 Digital

Backlit Energy Meter High accuracy multifunction 96x96mm Panel mount power meter

- Configurable for 1p2w, 3p3w and 3p4w systems and hosting a vast range of measuring parameters such as Amps, Volts, Power, Power and Current Demand, Power Factor, imported and exported kWh, Individual harmonics, Phase sequence and a phase summary page



236-9299 96x96mm Panel

Male USB C to Female USB C Extension Cable

- USB type-C to USB type-C extension cable
- Male-to-female connectors
- Type: USB 3.1, 5Gb/s data transfer speeds
- Compliant with USB 3.1



235-4780 USB 3.1, 15m



SUSTAINABLE TECHNOLOGY

Our range of sustainable products can help you to with energy conscious solutions.



Browse and shop thousands more brands and products online at za.rs-online.com | www.rsonline.africa

Fluke Acoustic Imagers

- 7 inch 1280 x 800 LCD with capacitive touchscreen
- Blended live SoundMap™ with visual image
- Lower utility costs, reduce leak detection time and improve reliability in your production line
- Do more with the same air compressors – delay the capital expense of purchasing an additional compressor



FLUKE.

187-6163 2kHz to 50kHz, 0.5m to > 70m

Altivar Process Variable Speed Drives

- Offers your business optimisation, real-time intelligence and provides the efficiency that you deserve.
- The Altivar Process Drive gives you extensive flexibility in water, wastewater, mining, minerals, metals as well as oil, gas, food and beverages.



IP RATED
IP20

Schneider Electric

125-3239	1-Phase In, 0.1-599Hz Out, 0.55kW, 230 V ac, 7.9A
125-3243	1-Phase In, 0.1-599Hz Out, 0.75kW, 230 V ac, 10 A
125-3255	1-Phase In, 0.1 → 599Hz Out, 2.2 kW, 230 V ac, 24 A
125-3262	3-Phase In, 0.1 → 599Hz Out, 5.5 kW, 400 V ac, 20.7 A
220-8683	3-Phase In, 4 kW, 600 V, 5.8 A, 6.5 A

RS PRO NiMH Rechargeable Batteries

- Long lifespan – the battery lifespan is expressed in charge cycles
- One cycle is a complete discharge followed by a complete recharge
- NiMH batteries can outperform an alkaline battery in a single charge
- Advantageous for high current drain devices



RS PRO

617-0773 AA 2.6Ah, 1.2V - Pack of 4

476-2033 AA 2.3Ah, 1.2V - Pack of 4

Solar Panel Connector

- IP67 connectors designed to meet the stringent requirement of Photovoltaic installations
- Equipped MC-Multilams on the plus make a very low contact resistant
- Central fixing hole for tying to structure.



STÄUBLI

560-947	Female to Male, CSA, 2.5 → 4.0mm ² , Rated At 30A, 1kV
560-997	Male, CSA, 4 → 6mm ² , Rated At 30A, 1kV (Pack of 5)
560-975	Female, CSA, 4 → 6mm ² , Rated At 30A, 1kV (Pack f 5)

IP RATED
IP67

Disposable Dry Cleaning Wipes

- Low-lint wipes made of non-woven materials that don't leave behind residue when you use them. Safely use them on sensitive items like electronics.
- Thanks to the pop-up design of the box, you can easily pick a new one without touching the other wipes, reducing the risk of contamination.



495-1665 Size 210mm x 110mm (280 wipes per box)

475-3994 Size 300mm x 300mm (196 wipes per box)

Disposable Dry Cleaning Wipes

- Dispenses hand towels easily to reduce mess and wastage
- Hassle-free maintenance keeps costs down in areas of heavy use
- Wipes are soft and absorbent. Strong and durable when wet.



181-6567 Dispenser - ABS White (276mm x 224mm x 330mm)

480-1879 WypAll Dry Tissues, Centrefeed of 2400

Rectangular PE Waste Paper Bin

- Durable, all-plastic construction.
- Easy to clean to maintain hygiene levels.
- Space-efficient, economical and effective recycling solution.



794-6922 87L Blue Conatiner



Creating a better tomorrow

Put your confidence in our sustainable solutions

We set ambitious **sustainability** goals in key priority areas which enable us to have a lasting positive impact around the world. Our priorities and goals are informed by who we serve, what we do, and how we do it. We work together to foster innovative ideas and pursue longer-term change while striving to create social, environmental, and financial value.



MAINTENANCE AND REPAIR

With our unbeatable range we can support platform maintenance & repair in a timely and cost-effective manner.



Browse and shop thousands more brands and products online at www.rsonline.com | www.rsonline.africa

SDS+ Brushless Hammer Drill

- Able to drill in concrete as fast or faster than 24V Cordless Combination Hammer model BHR200
- Compatible with all 18V Lithion-Ion LXT battery packs
- One-touch slide chuck for SDS-plus bit
- Makita SDS+ Drill Bit Set is a perfect companion to your SDS Drill with Hammer/Chisel function this cost effective Makita set contains 5 chisels and 12 bits from the more popular parts of the range and offer excellent cutting performance and can be used for concrete, demolition, render, chasing and fixings.



812-9976 18V, Body Only
848-3633 Chisel Bit Set

Gas Soldering Iron Kit

- Auto ignition for easy start-up and operation
- Variable flame control for precision use
- See through fuel window allows easy checking of gas levels



182-3821 Gas Soldering Iron Kit

Black Nitrile Disposable Gloves

- Strong, lightweight protection & touchscreen-compatible
- Protection against chemicals and oils
- Powder-free construction so no residue left behind



209-7556 XS (Box of 100)
209-7557 S (Box of 100)
209-7558 M (Box of 100)
209-7559 L (Box of 100)
209-7560 XL (Box of 100)

Orange Disposable Ear Plugs, 37dB

- Tapered design and slow-expanding polyurethane foam fit snugly in most ear canals.
- Bright orange colour for quick visual safety checks of workers



740-1422 500 pairs (use with dispenser)
916-3949 Ear Plug Dispenser for use with 3M Series 1100 Ear Plugs

Black Self Amalgamating Tape

- Easy unwind
- Extremely flexible
- Resistant to water, ozone and UV
- Excellent low and high temperature performance
- Excellent conformability to awkward shapes
- Breaking load is 20.0N/cm



146-8998 25MM X 10M

C5 Thermal Imager with Wi-Fi (Fits in your pocket)

- Features a thermal camera, visual inspection camera, and LED flashlight
- Built-in FLIR Ignite™ cloud connectivity allows direct data transfer, storage, and backup, so images are always available on all your devices.
- Has a 160 x 120 true thermal imager and 5-megapixel visual camera
- IP54 rating – high level of protection against water and dust



201-6980 - 20 → +400 °C, 160 x 120pixel Detector Resolution

DPI 705E and DPI 705E-IS Handheld Pressure Indicators

- 48 pressure ranges from ±25 mbar to 1,400 bar (±1.69 psi to 20,000 psi)
- Total 1 year uncertainty 0.05% full scale over -10°C to +50°C temp range
- Remote plug + play pressure and Resistance Temperature Detector sensors
- DPI705E Safe Area pressure indicator
- DPI705EIS Hazardous Area pressure indicator



201-2871 200 bar, Hazardous Area

201-2877 70 bar, Hazardous Area

201-2885 2 bar, Hazardous Area

201-2870 70 bar, Safe Area

201-2878 350 bar, Safe Area

201-2867 10 bar, Safe Area

FLIR TG54-2 Infrared Thermometer

- Distance to spot ratio of 20:1 for precise measurements
- Emissivity range of 0.01 to 1, adaptable for different surfaces
- Accuracy of ±1.0 ensures reliable temperature readings
- Data storage capability allows for easy access to past measurements



276-9462 -30°C Min, ±1.0 Accuracy, °C and °F Measurements

FLIR SV87-KIT Vibration Monitoring Kit

- A wireless connected sensing-solution designed for continuous vibration and temperature monitoring.
- The vibration trending and analysis can help detect serious problems with industrial machines long before the damage can be seen.
- Monitor vibration and temperature frequently to make better-informed decisions
- Minimize exposure to dangerous environments and difficult-to-access locations
- Analyse data quickly



211-0028 FLIR SV87-KIT Vibration Meter

Hydraulic Service Junior Kit

- G1/4 BSPP pressure port
- 1500 hour life time cycle internal battery
- Temperature range 0°C to +50°C

IP RATED
IP67



511-6706 600 bar

VDE Tool Kit

- Tool kit containing all the essential hand tools for electrical work
- All tools tested to IEC 60900
- Kits contains: combination pliers, long nose pliers, cutters, Ph2 screwdriver, 4 & 5.5mm slotted screwdrivers in a plastic case with transparent lid



473-350 7 Piece

Mining Solutions

Fluke Solutions for Mining, Engineering, and Maintenance Professionals.

The mining industry covers a wide range of operations, both above and below ground, such as coal, precious metals, non-precious metals, other minerals, and aggregates, sand and stone. People who work in the mining industry know how unforgiving and potentially dangerous these environments can be. It is critical to maintain stable, continuous operations without sacrificing safety or quality.

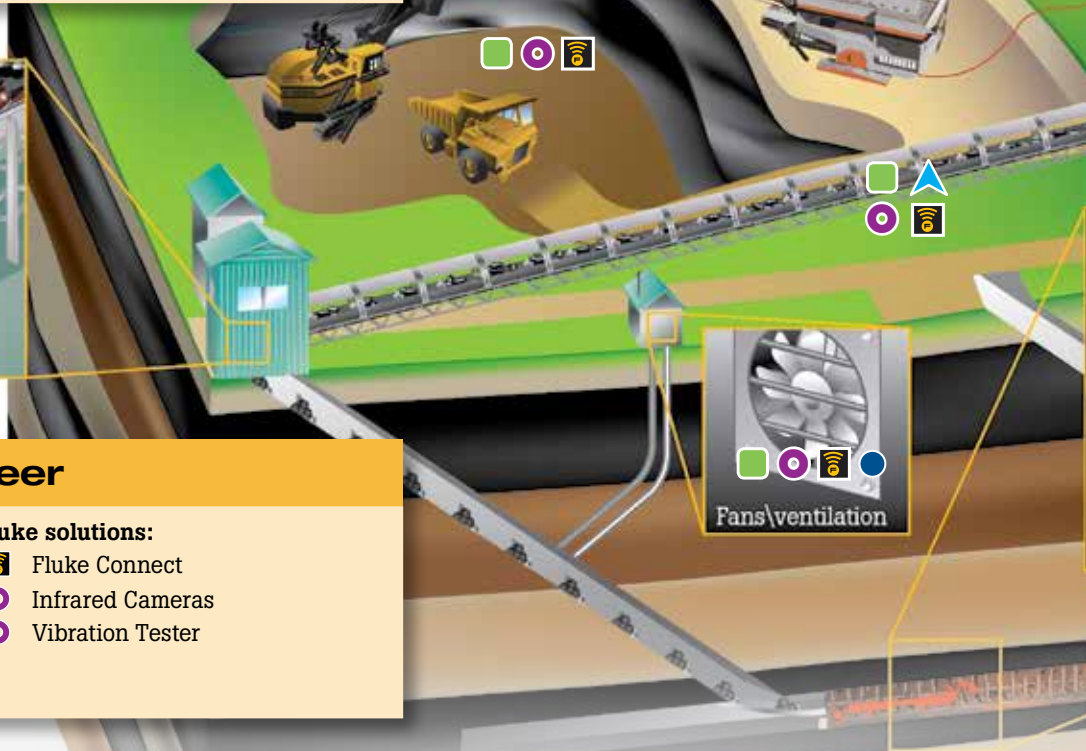
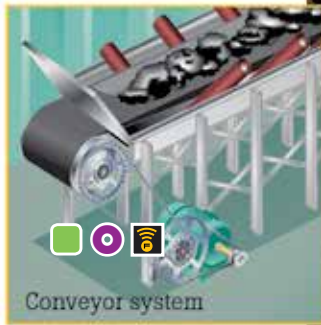
Electrical Engineer

Issues faced:

- System maintenance and testing
- Consistent, quality power delivery from utility or local power generation
- Building, system, and machine downtime prevention

Fluke solutions:

- 📶 Fluke Connect®
- ▲ Multifunction Process Calibrators
- ▲ Process Test Tools
- ▲ Pressure Gauges and Calibrators
- Power Quality Analysers
- Insulation Testers
- Earth Ground Testers
- Digital Multimeters
- Insulation Multimeters



Mechanical Engineer

Issues faced:

- Equipment installation
- Preventative maintenance, and repairs
- Determining optimal machinery replacements

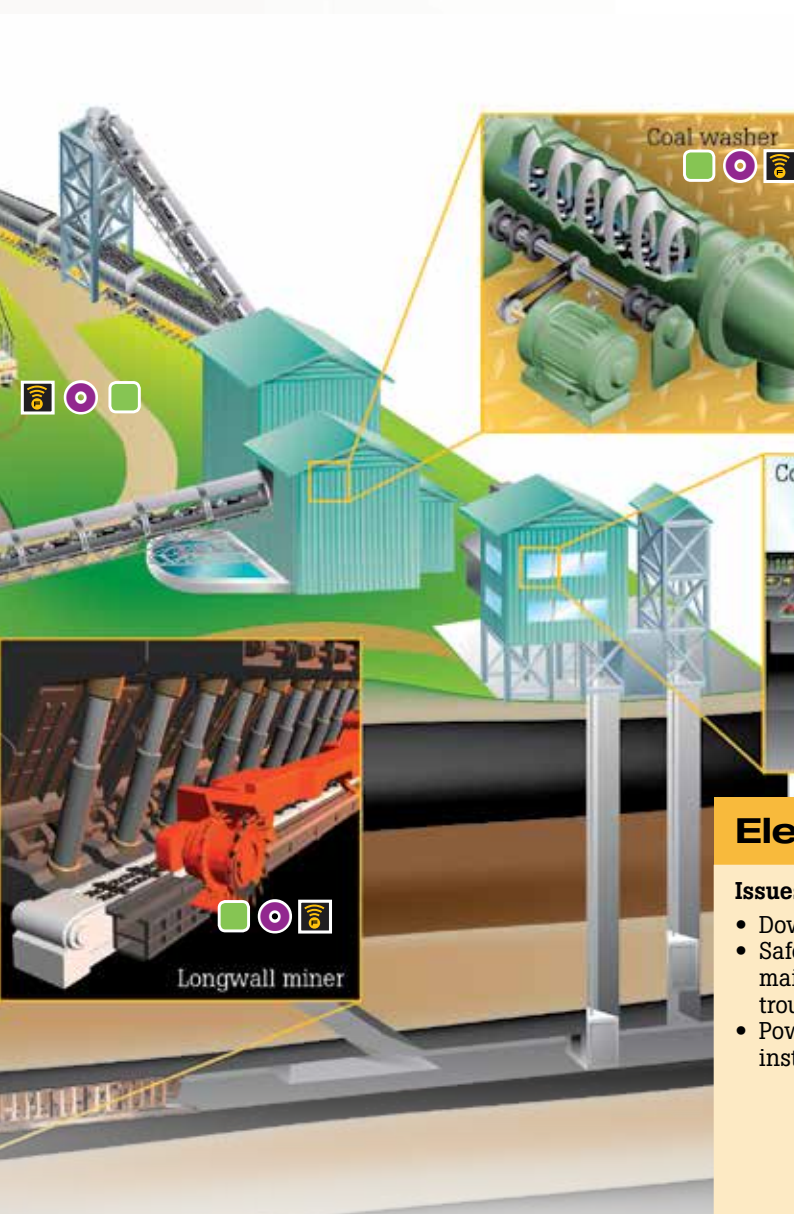
Fluke solutions:

- 📶 Fluke Connect
- 📷 Infrared Cameras
- 🌀 Vibration Tester



Process Calibration Tools					Electrical Test Tools				
Multifunction Process Calibrators	Pressure Gauges and Calibrators	Process Test Tools	Power Quality Analysers	Earth Ground Testers	Portable Oscilloscopes	Power Loggers	Clamp Meter		
<p>754 744-2527</p> <p>726 226-2766</p>	<p>700G 798-8695</p> <p>729Pro 144-5553</p>	<p>773 669-3493</p>	<p>1777 232-0535</p>	<p>1625-2 Kit 798-3974</p>	<p>MDA-550 230-5659</p>	<p>1738 900-9980</p>	<p>378 FC 220-4446</p>		

Fluke makes rugged, reliable, quality tools mining professionals can count on. Tools designed for the mining environment, the professionals who work there, and the challenges they face every day.



Maintenance Engineer

Issues faced:

- Uptime of systems and equipment
- Quality control
- Maintenance expense
- Personnel safety

Fluke solutions:

- 📶 Fluke Connect
- Power Quality Analysers
- Digital Multimeters
- Infrared Cameras
- Vibration Tester
- Compressed Air, Gas and Vacuum Leak Detection

Electrician

Issues faced:

- Downtime prevention
- Safety, energy maintenance, and troubleshooting
- Power and control installation

Fluke solutions:

- 📶 Fluke Connect
- Power Quality Analysers
- Insulation Multimeters
- Insulation Testers
- Clamp Meters
- Digital Multimeters
- Power Loggers
- Infrared Windows

Vibration and Industrial Imaging Tools

Air Leak Detection

Insulation Multimeters	Insulation Testers	Digital Multimeters	Expert Infrared Cameras	Professional Infrared Cameras	Infrared Windows	Vibration Tester	Acoustic Imager
							
1587 FC 905-5920	1555 705-1960	28 II EXAU 760-0398	TiX580 240-9411	Ti480PRO 171-6857	CV Series 820-2992	810 744-2192	ii900 187-6163

Fluke 754 Multi Function Calibrator

- Calibrate temperature, pressure, voltage, current, resistance and frequency
- 3 operating modes: measure; source; simultaneous measure/source
- Easy-to-follow, menu-driven display which guides users through tasks



Fluke Ti480 PRO Thermal Imaging Camera

- 640 x 480 infrared resolution
- Increased sensitivity to visualise temperature differences
- More intuitive visual interface, improved, user-tested, touch screen interface
- Get 4x the pixel data with SuperResolution, which captures multiple images and combines them to create a 1280 x 960 image



FLUKE

253-1862 Fluke-754

FLUKE

171-6857 640x480 Resolution, FLK-Ti480 PRO 9HZ

Fluke 117 Handheld Digital Multimeter

- VoltAlert Technology for integrated non-contact voltage detection
- AutoVolt feature for automatic AC/DC voltage selection
- LoZ: Low input impedance to eliminate stray voltage
- Large white LED backlight



Fluke 1770 Series Three-Phase Power Quality Analysers

- Automatically measure power and power quality parameters
- At-a-glance power quality health for faster troubleshooting
- Easily view V/A/Hz, power, dips, swells, and harmonics data
- Capture high-speed transients up to 8 kV



FLUKE

6161460 10A ac 600V ac Fluke 117 EUR

FLUKE

232-0535 FLUKE-1777

232-0533 FLUKE-1775

232-0531 FLUKE-1773

Fluke 810 Vibration Meter

- On-board identification and location of most common vibration mechanical faults reducing downtime.
- Fault severity scale with four severity levels helps you prioritize maintenance work
- Repair recommendations advise technicians on corrective action
- On-board context-sensitive help provides real-time tips and guidance to new users
- 2GB expandable onboard memory provides enough space for your machinery's data
- Self-test function ensures optimal performance and more time on the job



Fluke 789 ProcessMeter™

- 0-20 mA DC current source/loop calibrator/simulator with auto and manual step/ramp
- Offers HART mode setting with loop power and a built-in 250 ohm resistor
- Provides all standard DMM capabilities including V, A, Hz, Diode test and continuity



FLUKE

744-2192 FLUKE 810

FLUKE

447-707 1A, FLUKE 789

Fluke PTi120 Thermal Imaging Camera

- Fluke PTi120 Pocket Thermal Imager is a professional portable thermal camera for industrial inspection , continuous touchscreen IR-fusion.
- Small enough to carry every day without worry. Pocket sized. Stands up to dirt and water.
- Quick scans of electrical equipment, machinery and other assets.



FLUKE

232-5839

Fluke TiS60+ Thermal Imaging Camera

- Fluke TiS60+ Thermal Imaging Cameras are an ideal model of thermal imaging camera for first line troubleshooting in electrical and mechanical equipment.
- Hot spots and cold spots can be early indicators of potential issues, so high-quality thermal imaging is an important tool to use to identify these areas that are invisible to the naked eye and prevent trouble in the future.



FLUKE

198-1145

Fluke MDA-550-III Digital Portable Oscilloscope

- The Fluke motor drive analyzer simplify complex motor-drive troubleshooting with guided test setups and automated drive measurements that provide reliable, repeatable test results.



FLUKE

230-5659

Fluke Test Adapter Kit

- The adapter simulates a compatible vehicle to kick-start a charging cycle from which you can measure voltage and current output. This device fits ergonomically in your hand and offers fully-customisable settings to test a multitude of parameters through dials on its front face.



FLUKE

253-4697

Fluke 773 Milliamp Process Clamp Meter

- Measure 4 to 20 mA signals without breaking the loop
- Source/simulate 4 to 20 mA signals and 0-10V DC and provide loop power
- Best in class accuracy of 0.2% with 0.01mA resolution



FLUKE

669-3493 Fluke-773

Fluke 771 Clamp Meter

- The Fluke milliamp process clamp meter measures the current up to 99mA. This clamp meter saves you time by measuring 4-20 mA signals without breaking the loop or bringing down the system.



FLUKE

287-642

Fluke 772 Clamp Meter

- Fluke 772 and 773 mA Clamp Meters. Designed to save you time, and money, by eliminating time wasting activities. Now you can troubleshoot and repair 4-20 mA loops without breaking the loop or bringing down the system.



FLUKE

669-3490

Fluke Multifunction Tester

- This IR Thermometer, Electrical Tester and Voltage Detector Kit is designed to help electricians and HVAC technicians solve problems quicker. Test first for overheated electrical devices using an IR thermometer; then use electrical test tools to find out more about the problem.



FLUKE

785-0717 1A, FLUKE 789

VDE Electricians Tool Kit

- Ergonomic multi-component handles
- Optimum balance of torque and control
- High quality and professional tools
- VDE approved for electrical safety
- Made from chrome vanadium steel
- Ideal for a wide range of applications
- Sturdy tool case



RS PRO

734-8885 88PC 1/2IN. Socket & VDE Tool Kit

RS PRO 25 Piece Metal Twist Drill Bit Set

- 5% Cobalt High-Performance HSS-E Drill bits.
- High-Temperature strength without sufficient coolant
- 135° non-slip split point for precise centring
- Direct drilling without the need for prior centring or drilling a pilot hole



RS PRO

216-690 1mm to 13mm

Weller Gas Hot Air Iron

- A refillable gas-powered soldering iron a unique professional, cordless, versatile piece of soldering equipment
- Capacity 6 ml (approx. 1 hour).
- Temperature range 300°C to 500°C.
- Butane gas powered.



Weller®

660-416

Electronic Torque Wrenches - E.306 Range

- Easy to use and has a self-test and reset when switched on and gives electronic precision in torque tightening. Accurate to $\pm 2\% \pm 1$ digit.
- USB connection allows storage of 250 results which can be saved and downloaded.
- Visual (LEDs) and once the torque is reached in operation an audible beep is indicated.
- These tools work from an electric sensor and can sense how much twisting force is applied and shows this by a digital LED display.



FACOM

722-7167 1/2 in Square Drive, 17 to 340Nm 14 x 18mm

722-7158 1/2 in Square Drive, 10 to 200Nm, 14 x 18mm

722-7142 1/4 in Square Drive, 1.5 to 30Nm, 9 x 12mm

722-7151 3/8 in Square Drive, 6.7 to 135Nm, 9 x 12mm

722-7154 1/2 in Square Drive, 7 to 135Nm, 9 x 12mm

35 Piece Wood Hole Saw Set Set

- Moulded die casting high carbon steel (s1060c) for Forstner drill bits, high carbon steel (s1050c) for auger drill bit, medium carbon steel (s1045c) for wood boring and brad point drill bits



RS PRO

507-1697 216 Piece

Stanley 4 drawer Aluminium, Plastic Wheeled Tool Chest

- Heavy duty 7" wheels• 19" detachable tool box•
- Heavy duty ball bearing slides on drawers•
- Aluminium telescopic handle for easy elevation•
- Large metal rust proof latches with padlock eye



STANLEY

776-9911 866mm x 348mm x 488mm

RS PRO Steel Pliers

- 4 Piece Circlip Plier Quality Set for inserting and removing circlips
- Ergonomic Soft grip handles allow for easy and smooth action
- External Pliers have a sprung design to help handles open
- Supplied with PVC Tool Tray to ensure the tools are kept tidy



RS PRO

480-6802 250 mm Overall Length

Nipper Cable Cutter

- Black corrosion resistant pliers Polished head
- Plastic coated handles
- Length 280 mm



KNIPEX®

136-7418 End Cutting



RS PRO 30 Piece

- Bits made from hardened and tempered Chrome Molybdenum Steel (S2)
- Nuts made from Chrome Vanadium Steel and zinc alloy with carbon steel shaft of a bit holder
- Chrome-plated bit holder
- Sandblasted finish for bits & nut drivers



213-1005 1/4 in Socket Set

RS Pro Square Dial Torque Wrench

- Manufactured to ISO6789• Easy to read SI and Imperial unit analog dial• Clockwise and anti-clockwise measurement is possible with double-ended ratchet as standard• Accuracy +/- 3% of reading



815-515 16 → 80Nm

RS PRO Engineers Stubby Screwdriver Set

- This screwdriver set comes in a compartmental hardcase to keep your screwdrivers organized and portable, and protected and dry when not in use.
- Screwdriver set with a range of head types and sizes
- Supplied in a handy hard case
- Ergonomic handles for increased control
- Chrome vanadium steel for corrosion resistance and long tool life



228-4143 15 Piece

RS PRO Adjustable Spanner

- High quality, phosphate finish
- Precision-hardened
- Anti-corrosion finish
- Manufactured to ISO6787 standards
- These spanners incorporate 15° angled head with thin parallel jaws



541-6589 203.2 mm Overall Length, 26.8mm Max Jaw Capacity

541-6602 304.8 mm Overall Length, 34mm Max Jaw Capacity

RS PRO Impact Bit Set, Phillips, Pozidriv, Torx

- RS Pro 7 piece TiN CVD bit set offers the most popular screw bits in one handy set.
- TiN CVD bits are top quality screw bits that are fully coated using a high temperature method giving a coating hardness of approx. 95 HRc.
- Bits are 25 mm long with TiN CVD Coating
- Magnetic bit holder is 50 mm long



125-0438 7 Pieces

RS PRO Crow Bar Set

- This pry bar set includes four handy sizes, offering different leverages to suit the task at hand
- Manufactured from chrome vanadium steel• Tempered & finished with an electroplated phosphate black coating for long life.
- Long tapered ends assist alignment tasks



388-3612 200 mm, 300 mm, 450 mm, 600 mm Length

RS PRO Parallel Pin Punch Set

- You can use this pin punch set from RS PRO when you need to disassemble, adjust or maintain your mechanical assemblies and structures.
- Length of 150 mm
- Sizes of 2 mm → 6 mm
- Conforms to DIN 4650



484-748 5 piece

LXT Cordless Angle Drill Driver

- Li-ion LXT battery system
- Rotation, hammering and combined modes of operation
- Keyless chuck operation
- High comfort grips
- Support side handle
- LED job light with afterglow
- Large trigger



812-9922 18V, Body Only

DTD153Z 1/4in 18V Cordless Impact Driver

- Cordless impact
- Brushless motor
- Aluminium gear housing
- LED job light
- Ergonomic soft grip
- Electric brake



812-9900 18V

DTM50Z 18V LXT Li-Ion Cordless Multi Cutter

- Compatible with Lithium-ion LXT series 18V batteries
- Easy to use, a thumb on/off switch
- Hex wrench holder on body
- Variable speed control with a dial
- Accessories can be installed at 30° increments across 360°



812-9954 18V

JV101DZ 12V Cordless Jigsaw

- Three orbital settings
- Straight efficient cutting
- Variable speed trigger for greater control
- Ergonomically designed handle provides comfort
- Blower function keeps sawdust from obscuring cut line



123-9997 12V

BL1830B 3Ah 18V Power Tool Battery

- Long lasting lithium-ion power tool batteries from Makita which are suitable for use with Makita 18 V LXT Power Tools
- 40% lighter than a similar Ni-MH battery and have an extended length of time during which they hold their charge



385-455 3Ah 18V

BGD800Z Cordless Die Grinder

- Powerful motor delivers 25,000 RPM to handle the most challenging applications
- Torque Limiter
- Small diameter circumference grip for added comfort
- Easily accessible carbon brush



812-9950 18V

CXT Keyless Cordless Drill Driver

- Ergonomic soft grip
- 2-Speed variable & reverse
- Keyless chuck capacity: 0.8mm to 10mm
- All-Metal gearing
- Compact and lightweight
- Electronic brake



124-0006 18V

18V Cordless Drill Power Tool Kit

- 18 V battery
- 240 V battery charger
- 1 quantity per pack
- M4 and M8 machine screw
- M5 and M14 standard bolt
- 0 to 2300 rpm no load speed



265-5151 DK18922A

LXT Circular Saw

- Adjustable circular saw, allowing for optimal visibility and accessibility when cutting in tight spaces
- Rigid Aluminium base providing high quality and toughness
- Smooth yet powerful motor for cutting various types of wood
- Maximum angled cut up 50 degrees to a depth of 36 mm



812-9938 18V, Body Only

Peli LED Rechargeable Work Light

- Polycarbonate lens is light weight and impact resistant
- Maintenance Free LED Array (6 x 1W Cree X-RE LEDs) with life a expectancy of 50000 hours
- Fully extendable mast (up to 820 mm) with 360 degree rotating lamp head
- Waterproof rubber activation switch



865-1300 12 V dc

RS PRO LED Head Torch

- Intrinsically safe for use in hazardous locations
- Switchable high and low light output
- Easy single button on the top of the torch to sequentially change between high power, low power, and off
- High power CREE LED



890-3001 200 lm, 100 m Range

RS PRO Tower Fan

- Material is housing in ABS, base in PS with metallic grey painting finish
- Slim, lightweight, space-saving tower design
- Takes up less space
- LED display
- Timer of 12 hours



180-2369 30.13m³/min 3 speed 230 V

Harmony XVU Modular Tower Lights

- The innovative Harmony XVU range of Ø 60 mm tower lights and sounders offers multiple lighting patterns, mounting flexibility, modern aesthetics, and unrivalled brightness.
- IP65 and IP54 protection ratings for sounders
- Ultra-bright LED with 360° visibility
- 6 colors with 4 light patterns: steady, flashing, blinking, and rotating



- 881-2797 LED Beacon Green, Steady Light Effect
- 881-2791 LED Beacon Red, Steady Light Effect
- 881-2832 Beacon Tower Terminal Unit
- 881-2823 Buzzer
- 881-2845 Terminal unit, 100 → 240 V ac

XVR Super-bright LED Beacons

- Rotating mirror beacon designed for long distance signalling applications
- Super-bright LEDs
- Low power consumption
- IP66 protection
- Red, orange, green and blue units available

IP RATED
IP66



- 690-3857 Orange
- 690-3854 Red

Unilite Torches

- Suitable for mining
- Safety release valve to release hydrogen gases
- Chemical and corrosion resistant
- Rubberised head and grips for durability
- Ultra strength polycarbonate housing



- 881-3942 Torch, 350lm
- 881-3946 Head Torch, 225lm

Wolf Safety Xenon Straight Torch

- High energy alkaline cell certified
- Low power indicator option
- Ultimate light output
- Xenon filled filament bulb
- 2 x 1.5V H-20 (LR20) primary cell batteries

CERTIFIED
IECEx

IP RATED
IP67



917-6645

RS PRO Dry Industrial Wipes

- Blend of 55% cellulose and 45% polyester
- Hydroentangled non-woven wipe
- High absorbency properties of a natural fibre with the cleanliness, strength and durability of synthetic wipers
- Packaged in a double bag in Class 100 clean room
- Compatible with ISO 5 (Class 100) clean rooms



882-5917 Box of 150

241-8116 Box of 300

882-5905 Box of 280

RS PRO Wet Electronics Wipes

- Individually wrapped solvent moistened lint-free cloth cleaning pads
- Anti-static so suitable for used with ESD sensitive items
- Each sachet contains 3.5ml IPA in de-ionised water
- Supplied in boxes of 20 sachets



557-067 Box of 20

218-526 Box of 100

201-3595 Box of 250

Big Wipes Heavy Duty Multi-Purpose Wet Wipes

- Antiviral (EN14476) proven effective against enveloped viruses including SARS-CoV-2 the virus that causes COVID-19.
- Heavy-Duty textured 'scrub & clean' fabric grabs and removes even the toughest ground-in dirt & grime for the fastest and most effective clean ever.
- 4X Power Cleansers to remove paint, adhesives, oil & grease, sealants, PU Foam, silicone, gap fill & more.



850-5430 Box of 80

850-5424 Box of 120

850-5421 Bucket of 240

RS PRO Wet Hand Wipes

- Pre-soaked in a solution of natural solvents, bactericides, surfactants and water which is highly effective on a range of grease, dirt, oils, paints, etc
- They also have a natural pH level of 6.5 to ensure the safety and proper maintenance of the user's skin
- Each wipe is lightly citrus-scented for a pleasant smell that isn't overpowering



187-8662 Tub of 150

RS PRO Safewipes Dry Electronics Wipes

- Pure 100% cotton cloths with no additives or brightening agents - better and safer for the user and environment
- Cut on bias to reduce fraying
- Size 23 x 23 cm
- Ideal for use with delicate equipment
- Re-usable, None linting & Non-abrasive



101-5750 Box of 100



High Energy Alkaline AAA Batteries

- High energy density
- Less health and environmental effects
- Long-term shelf life and reliability.



176-9039 1.5V, 20 Pack

RS PRO Barrier Tapes

- Made from non-adhesive polyethylene
- Strong and highly visible
- Ideal for warning of danger and cordoning off potential hazards



763-2049 Red/White PE 100m

763-2109 Black/Yellow LDPE 100m

Floor marking tape

- Ideal for use for most environments and applications as a universal indicator and identifier of potential hazards or warnings
- Designed with a plasticised PVC film coating to ensure optimum durability, performance and abrasion-resistance, especially in areas with high traffic or footfall.



197-1012 Black & Yellow, 50mm x 33m

RS PRO Stainless Steel Self Locking Nuts

- 545-piece nuts box
- Self-locking type nut
- Thread sizes of M3, M4, M5, M6, M8, M10, and M12
- A4 (316) corrosion-resistant stainless steel material



200-9807 545 Pieces

RS PRO Stainless Steel Plain Washer

- Corrosion resistance and are suitable for use in many environments
- MA2 stainless steel construction for durability
- BS4320
- Available in a range of metric sizes



527-397 1mm Thickness, M6, Bag of 250

527-404 1.60mm Thickness, M6, Bag of 250

527-369 0.5mm Thickness, M3, Bag of 250

Nylon Non-Releasable Cable Ties

- High quality
- Suitable for a multitude of uses
- Easy to thread



233-506 190 X 4.8 Mm, Pack 1000

233-499 100 X 2.5mm, Pack 1000

233-493 380 X 7.6mm, Pack 100

233-487 300 X 4.8mm, Pack 100

233-483 368 X 4.8 Mm, Pack 100

233-471 203 X 4.6mm, Pack 100

233-477 292 X 3.6 Mm, Pack 100

233-465 150 X 3.6 Mm, Pack 100

233-455 100 X 2.5 Mm, Pack 100

213-2997 250 X 4.8 Mm, Pack 1000

209-8137 361 X 4.8 Mm, Pack 100

811-1482 100 X 2.5 Mm, Pack 100

811-1509 380 X 7.6 Mm, Pack 100

811-1511 300 X 7.6 Mm, Pack 100

811-1515 450 X 8 Mm, Pack 100

811-1524 610 X 9 Mm, Pack 100

811-1666 203 X 4.6 Mm, Pack 1000

811-1669 380 X 7.6 Mm, Pack 1000

811-1678 450 X 8 Mm, Pack 100

811-1684 340 X 7.6 Mm, Pack 100

811-1486 142 X 3.2 Mm, Pack 100

811-1688 300 X 7.6 Mm, Pack 100

811-1495 190 X 4.8 Mm, Pack 100

3M™ Aluminium Foil Tape 425

- Thermally conductive tape helps dissipate heat and improves heating and cooling efficiency to protect temperature sensitive materials
- Resistant to chemicals to protect surfaces during de-paint process and other chemical masking operations



175-7785 12mm

175-7791 19mm

175-7808 25mm

144-4029 38mm

175-7814 50mm

144-4030 75mm



YOUR ONE-STOP SHOP

Get access to over 750 000+ across various product categories and brands ensuring that you get the best value without having to shop around.

TRUSTED GLOBAL BRANDS

We source and partner with over 2500 brands that you know and trust to give you access to the widest range of genuine parts.

CUSTOMER SUPPORT

Our team is on hand to support with all your queries – contact us via phone, email or speak to us on LiveChat.

SHOP ONLINE 24/7

Access our website at any time on any device and shop at your own convenience. Plus you get instant access to technical datasheets that you can download.

FLEXIBLE DELIVERY OPTIONS

We work together with in-house partners such as DHL to ensure you get the best express service and preferential rates on your shipping costs. We also ensure your goods are all packaged compliantly.

RS PRO

Try our private label brand that has been designed according to industry standards with high quality and performance – save up to 30% against other brands.

Tel: +27 11 691 9300

Email: africa@rsgroup.com | sales.za@rsgroup.com

No.20 Indianapolis Street Kyalami Business Park, Midrand, South Africa

