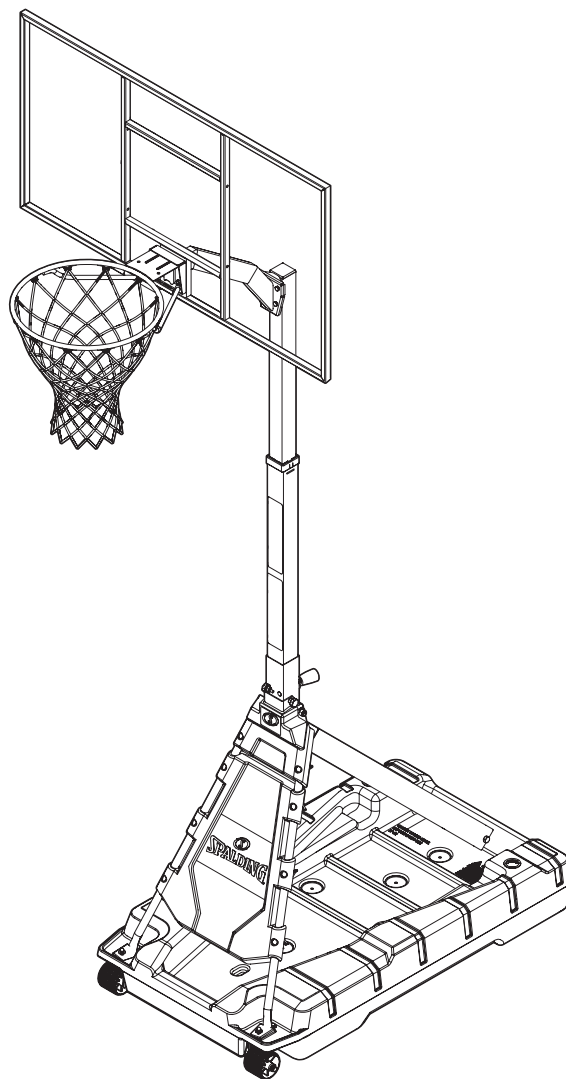


Model Number:
(found on product box)



PORTABLE BASKETBALL SYSTEM

Owner's Manual



Toll-Free Customer Service Number

U.S.: 1-800-558-5234

Canada: 1-800-284-8339

Europe: +353 51 379777

Australia: 1300 367 582

www.spalding.com

WARNING



READ AND UNDERSTAND THE OPERATOR'S MANUAL BEFORE USING THIS UNIT. FAILURE TO FOLLOW THE OPERATING INSTRUCTIONS COULD RESULT IN INJURY OR DAMAGE TO PROPERTY.

Contents

Before You Begin.....	2	Assemble the Extension Arm.....	9
Contact.....	2	Assemble the Backboard.....	10
Warranty.....	2	Assemble the Rim.....	11
Safety Information.....	3	Assemble the Upright.....	13
Package Contents.....	4	Assemble the Front Cover.....	17
Tools & Materials for Assembly.....	6	Assemble the Handle Assembly.....	19
Assembly Overview.....	7	Operation.....	21
Fill the Base.....	8	Parts List.....	22



Questions or Missing Parts?

DON'T go back to store!

Call TOLL-FREE Customer Service Number listed on the front page!



Before You Begin

READ AND UNDERSTAND THE OPERATOR'S MANUAL BEFORE USING THIS UNIT.

- Remove **ALL** contents from boxes.
- This manual, accompanied by a sales receipt, should be saved and kept on hand as a convenient reference, as it contains important information about your model.



FAILURE TO FOLLOW OPERATING INSTRUCTIONS COULD RESULT IN INJURY OR PROPERTY DAMAGE.

Contact

Questions or missing parts? Do **NOT** go back to the store!

Email:	U.S.: warrantyservice@custserv.fotlinc.com
	Canada: SpaldingParts@spalding.com
Customer Service Toll-Free Number:	U.S.: 1-800-558-5234
	Canada: 1-800-284-8339
	Europe: +353 51 379777
	Australia: 1300 367 582
Mailing Address:	Spalding PO Box 90015 Bowling Green, KY 42102

Warranty

For the very latest Basketball System Warranty information, please visit www.Spalding.com or call Spalding Customer Service at **1-800-558-5234**.

Safety Information

WARNING

FAILURE TO FOLLOW THESE SAFETY INSTRUCTIONS MAY RESULT IN SERIOUS INJURY OR PROPERTY DAMAGE AND WILL VOID THE WARRANTY.

Owner must ensure all players know and follow these rules for safe operation of the system.

To ensure safety, do not attempt to assemble this system without following the instructions carefully. Check the entire box and inside all of the packing material for parts and/or additional instruction material. **Before beginning assembly, read the instructions and identify parts using the hardware identifier and parts list in this document.** Proper and complete assembly, use, and supervision are essential for proper operation and to reduce the risk of accident or injury. A high probability of serious injury exists if this system is not installed, maintained, and operated properly.

- If using a ladder during assembly, use extreme caution.
- Check the base regularly for leakage. Slow leaks could cause the system to tip over unexpectedly.
- Seat the pole sections properly (if applicable). Failure to do so could allow the pole sections to separate during play and/or during transport of the system.
- Climate, corrosion, or misuse could result in system failure.
- If technical assistance is required, contact Customer Service.
- Minimum operational height is 6'-6" (1.98 m) to the bottom of backboard.

Most injuries are caused by misuse and/or not following instructions.

Use caution when using this unit.

NOTICE

- **Adult assembly required.**
- Dispose of **ALL** packaging materials promptly.
- As with all products, periodically inspect for loose, small parts.
- Assembled unit **MUST** be filled with sand or water at **ALL** times.
- **ALL** basketball systems, including those used for DISPLAYS, **MUST** be assembled and installed according to instructions.
- Failure to follow instructions could result in **SERIOUS INJURY**.
- It is **NOT** acceptable to devise a makeshift support system.

NOTE

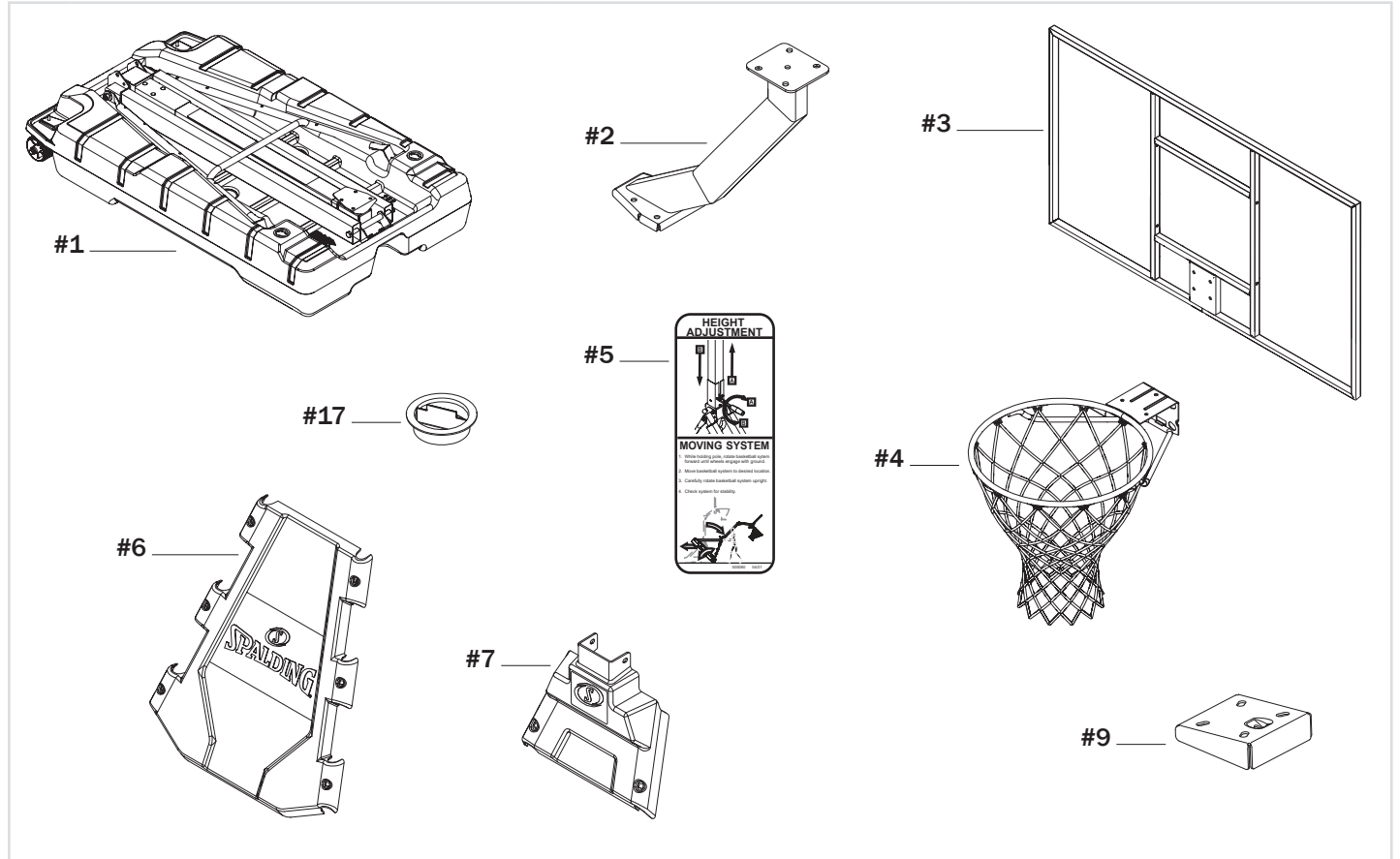
Backboard style will vary.

Package Contents

Check the contents of each kit and other parts to ensure that all components are present. Keep the kit hardware in the labeled bag as they will be used in different assembly steps.

See "Parts List" on page 22 for a complete list of replacement part numbers.

PRIMARY ASSEMBLY COMPONENTS



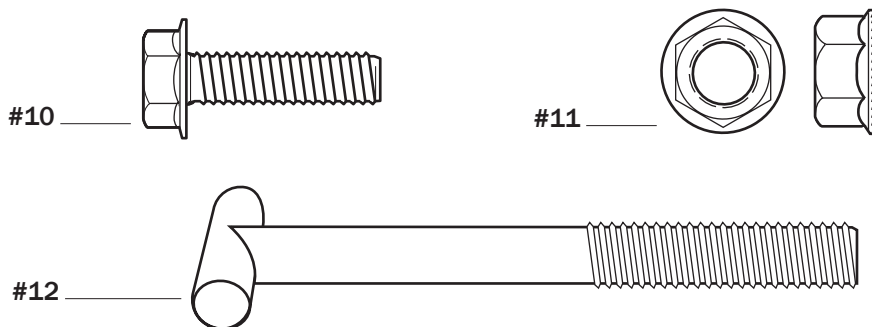
1	Primary Sub-Assembly (x1)	2	Extension Arm (x1)	3	Backboard Assembly (x1)
4	Rim (x1)	5	Height Adjustment and Moving Label (x1)	6	Front Cover (x1)
7	Knuckle Shroud (x1)	9	Rim Bracket (x1)	17	Plug, Base (x2)

KIT 1 - 209220



8	Bolt, Hex, 3/8-16 x .625" (x4)
---	--------------------------------

KIT 2 - 209221

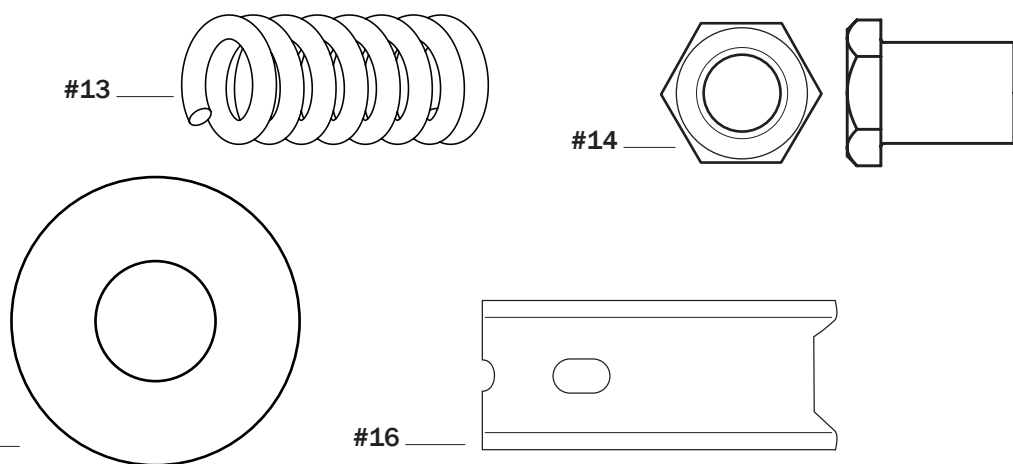


10 Bolt, Hex, Flange, 5/16-18 x 1" (x4)

11 Nut, Wiz, 5/16-18 (x4)

12 T-Bolt (x1)

KIT 3 - 209260



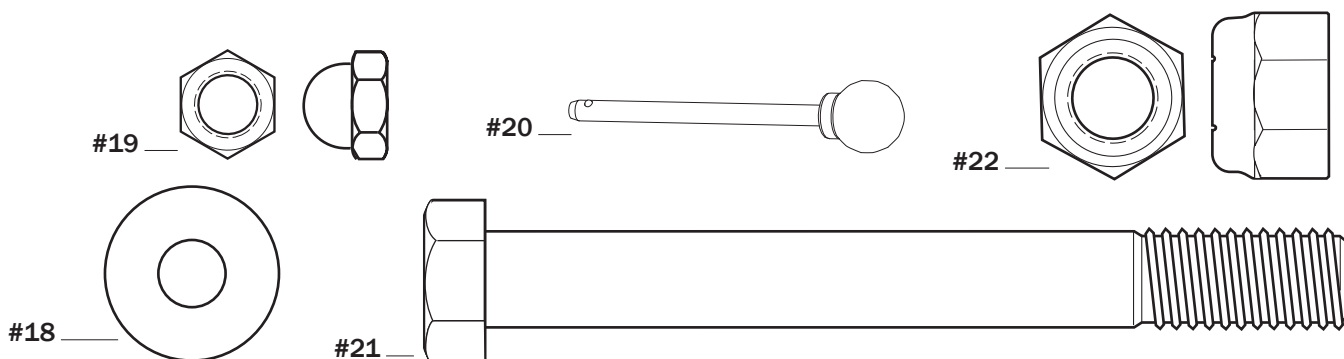
13 Spring (x1)

14 Nut, Special (x1)

15 Washer, Flat, 1.5" OD (x1)

16 Bracket, Reinforcement (x1)

KIT 4 - 209223



18 Washer, .375" ID (x2)

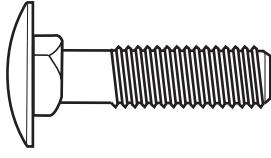
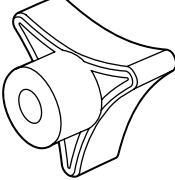
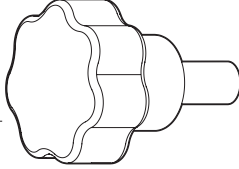
19 Nut, Acorn, Locking, 5-16-18 (x2)

20 Pull Pin (x1)

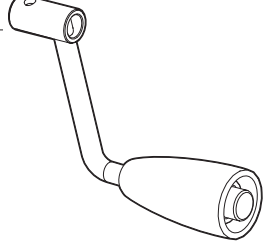
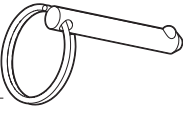
21 Bolt, Hex, 1/2-13 x 4.5" (x1)

22 Nut, Nylock, 1/2-13 (x1)



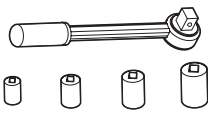


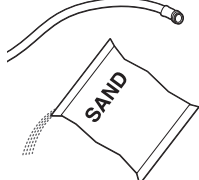
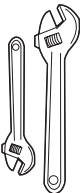
KIT 5 - 209224

#23		#24		#25	
23	Bolt, Carriage, 1/4-20 x 1.5" (x8)	24	Knob, 1/4-20 (x8)	25	Thumbscrew, M8 x 1.25 (x2)

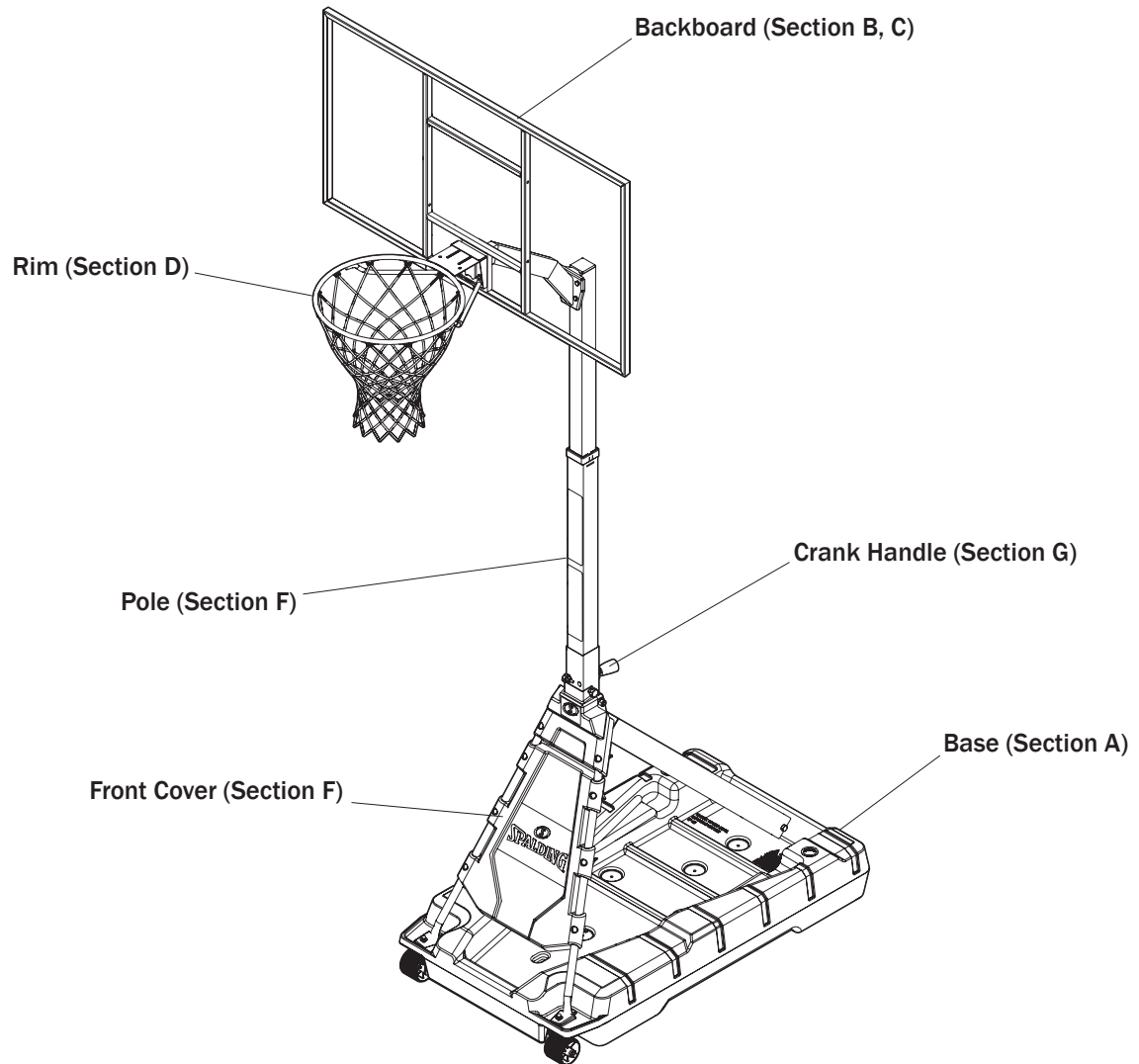
KIT 6 - 209225

#26		#27	
26	Handle Assembly (x1)	27	Pull Pin, Handle (x1)

Tools & Materials for Assembly

						
2 Capable Adults	Safety Glasses	Socket Wrench 1/2", 9/16", 3/4"	Wrench 1/2", 9/16", 3/4"	Phillips Screwdriver	Sand/Garden Hose	(OPTIONAL) Adjustable Wrenches

Assembly Overview

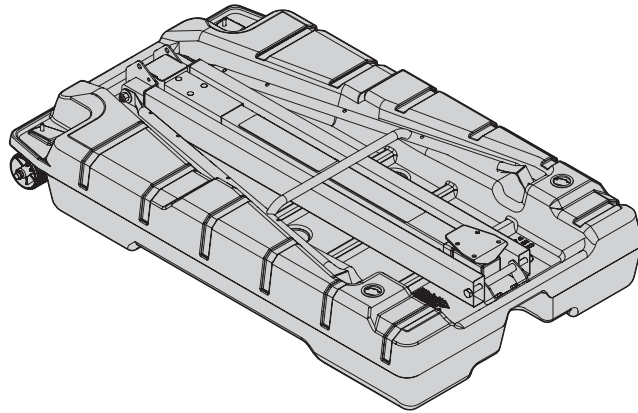


Fill the Base

Required Parts:

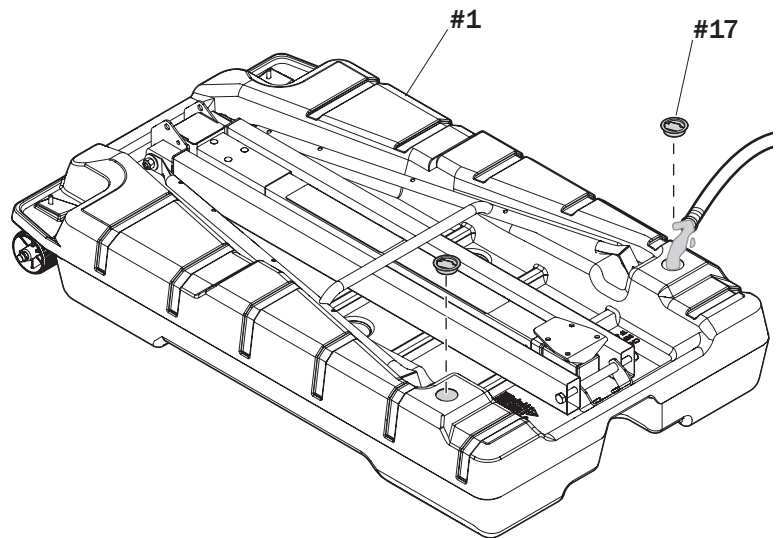
Completed Base Assembly:

- SAND/GARDEN HOSE



A FILL THE BASE

1. Roll the primary sub-assembly to the desired location for use.
2. Fill the base with water (approx. 36 gallons (136 Liters)) or sand (approx. 300 lbs. (136 kg)).
3. Insert the cap (17) into the base to close.



NOTE

As base is being filled, you may monitor the fill status and proceed with Assemble the Extension Arm, Assemble the Backboard, and Assemble the Rim sections. DO NOT proceed with Assemble the Upright section until base is completely filled.

⚠ WARNING ⚠

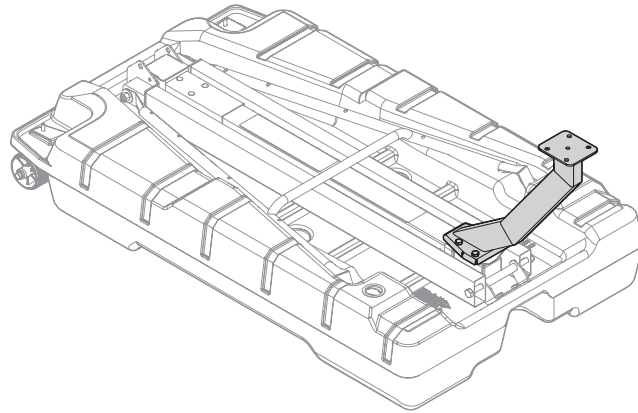
- FAILURE TO FOLLOW THIS WARNING COULD RESULT IN SERIOUS INJURY AND/OR PROPERTY DAMAGE.
- THE CAP MUST BE TIGHTENED COMPLETELY AND SECURELY TO PREVENT LEAKAGE.
- CONTACT CUSTOMER SERVICE IMMEDIATELY IF THE CAP IS MISSING OR DAMAGED.
- CHECK THE WATER LEVEL BEFORE EACH USE.

Assemble the Extension Arm

Required Parts:

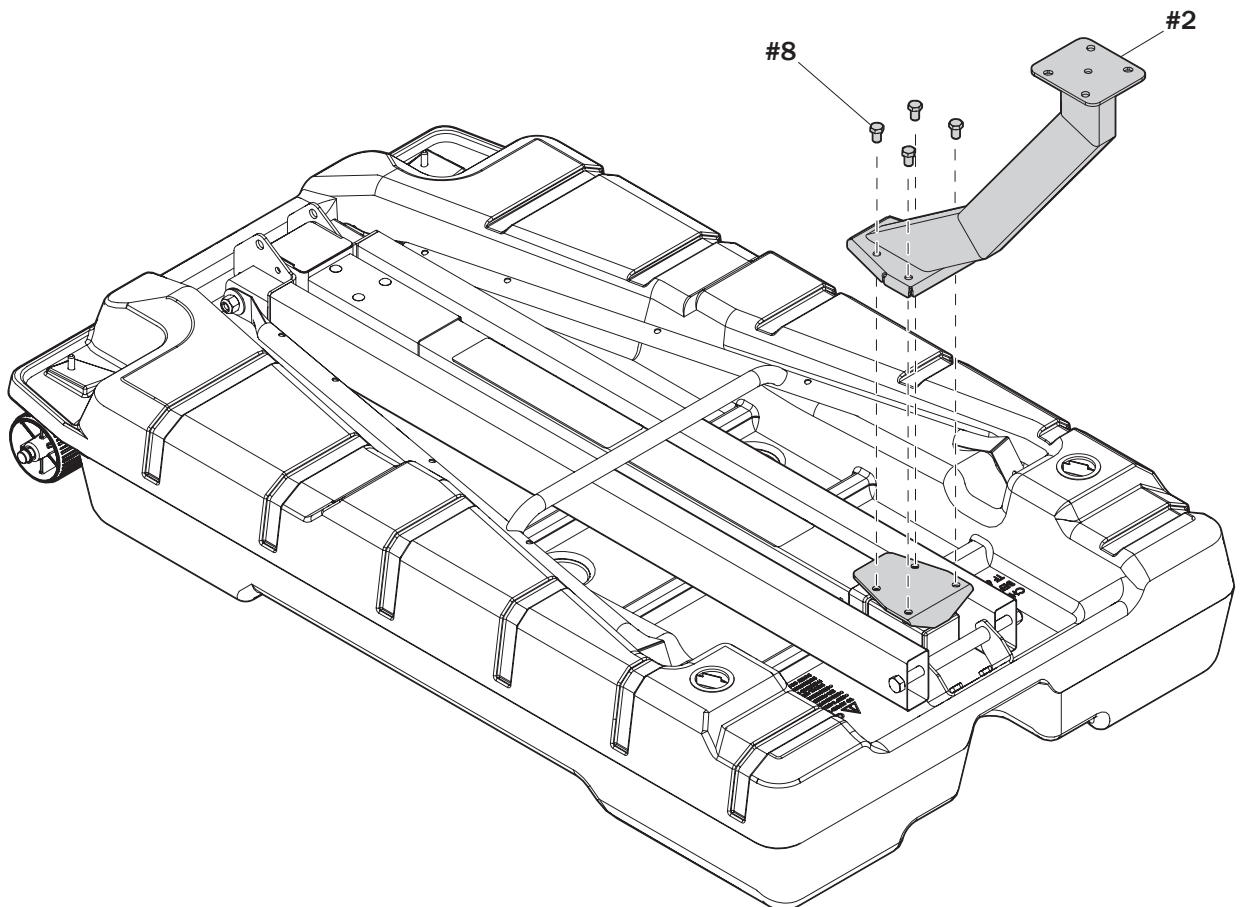
- KIT 1
- WRENCHES AND/OR SOCKET WRENCHES (9/16")

Completed Base Assembly:



B INSTALL THE EXTENSION ARM

1. Attach the extension arm (2) to the middle pole using the hex bolts (8).
2. Tighten the hex bolts (8) in the pre-welded nuts on the pole.

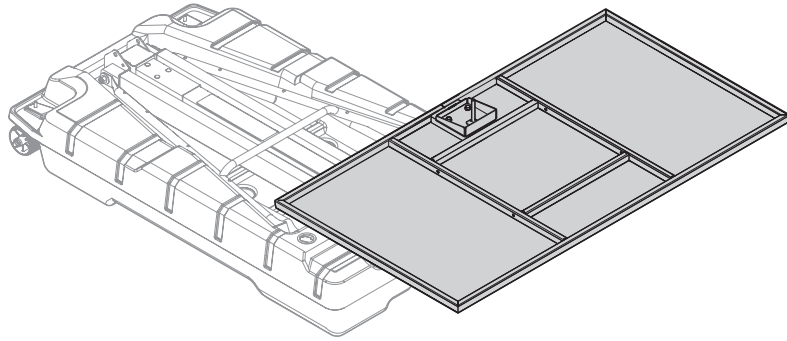


Assemble the Backboard

Required Parts:

- KIT 2
- WRENCHES AND/OR SOCKET WRENCHES (1/2")

Completed Goal Assembly:

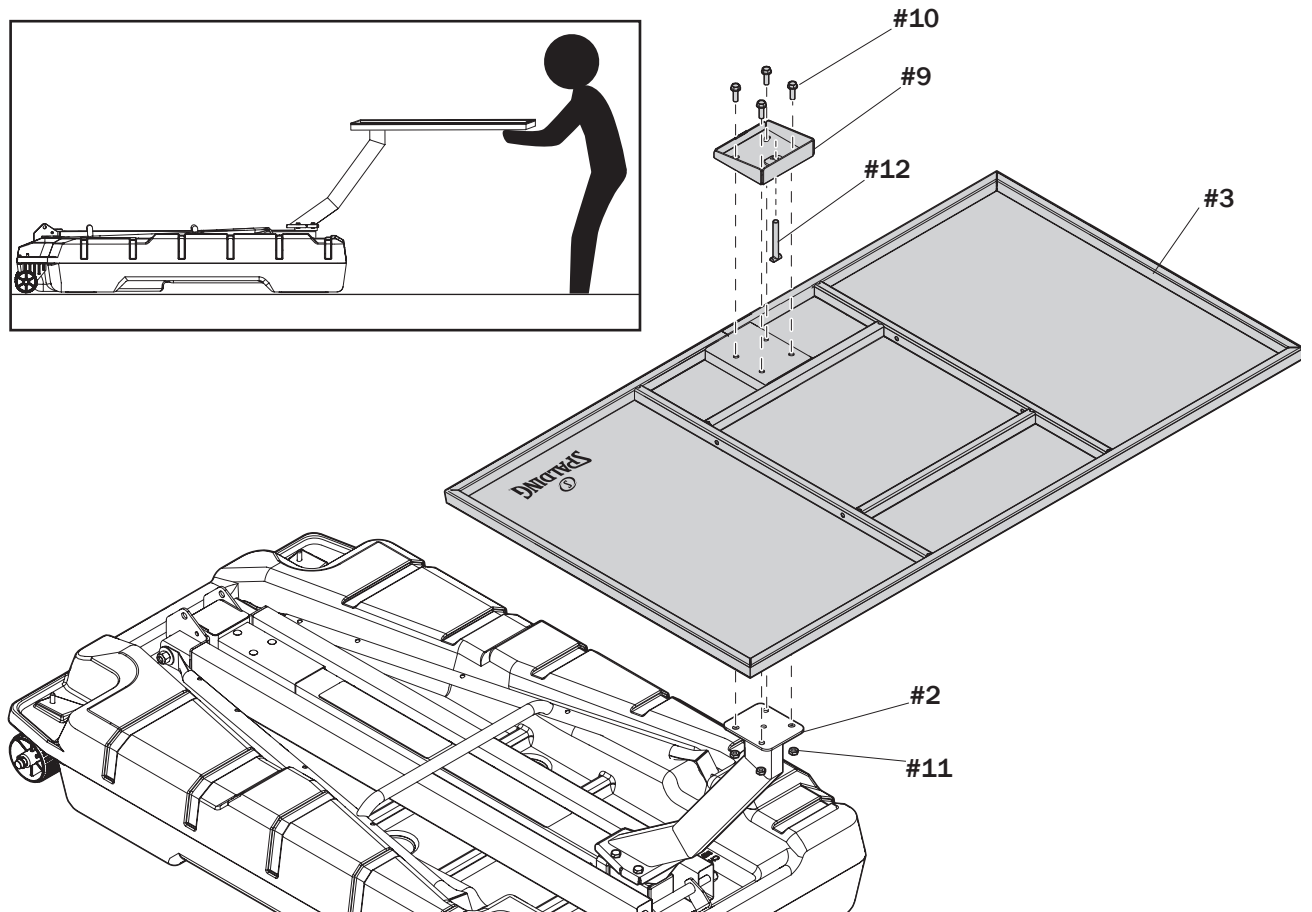
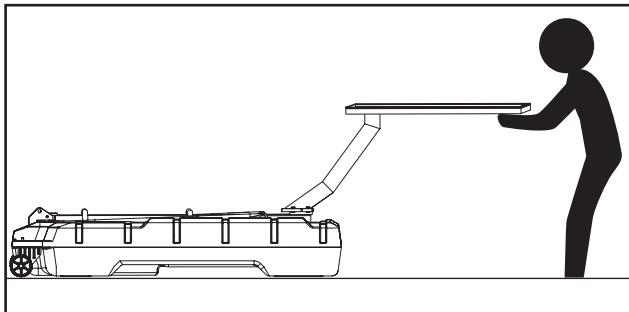


⚠ IMPORTANT ⚠

CAREFULLY CUT AND PEEL PROTECTIVE FILM AWAY FROM BOARD PRIOR TO ATTACHING RIM.

C INSTALL THE BACKBOARD

1. Insert the t-bolt (12) through the rim bracket (9).
2. Secure the rim bracket (9) to the backboard (3) and extension arm (2) using the bolts (10) and nuts (11).

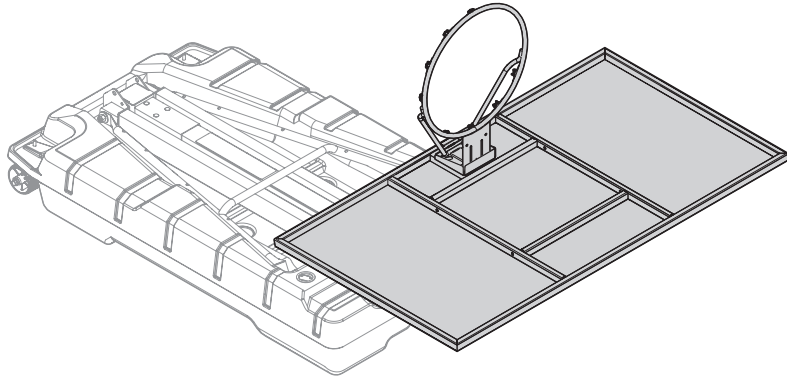


Assemble the Rim

Required Parts:

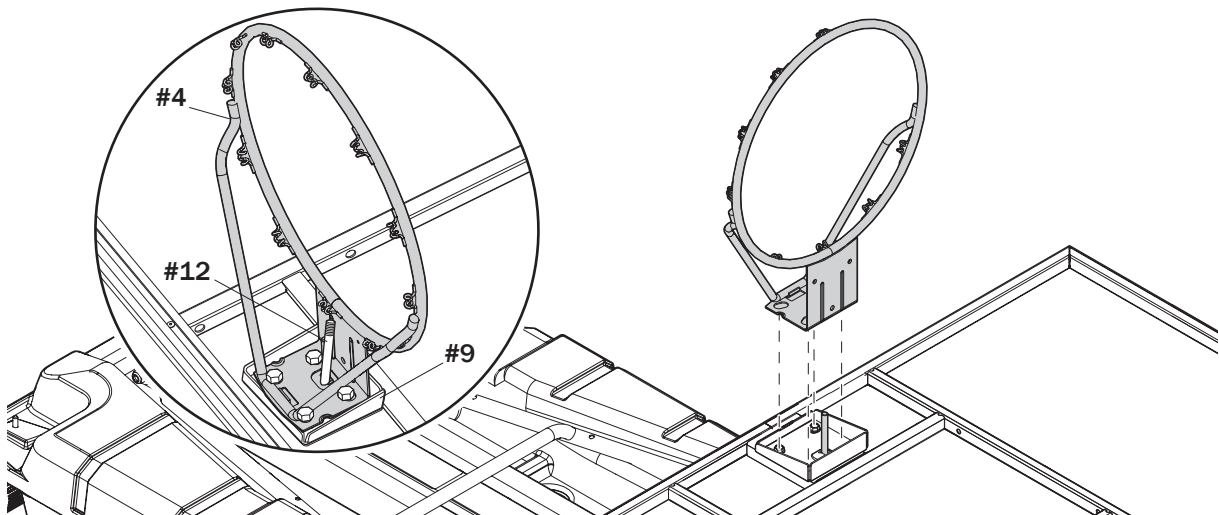
- KIT 3
- WRENCHES AND/OR SOCKET WRENCHES (3/4")

Completed Goal Assembly:

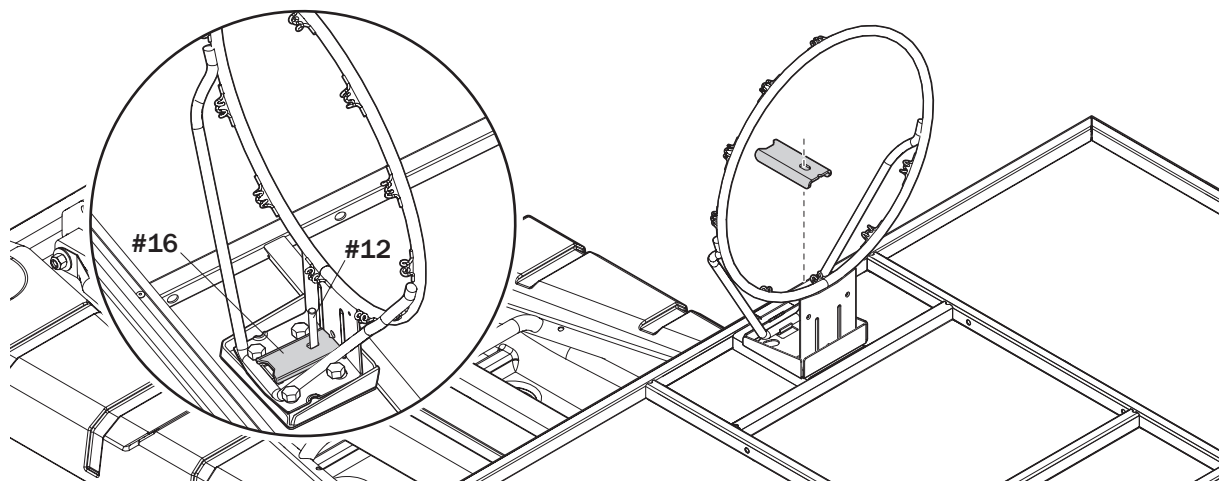


D ASSEMBLE THE GOAL

1. Fit the rim (4) securely into the rim bracket (9). Allow the t-bolt (12) to slip through the center hole in the rim (4).

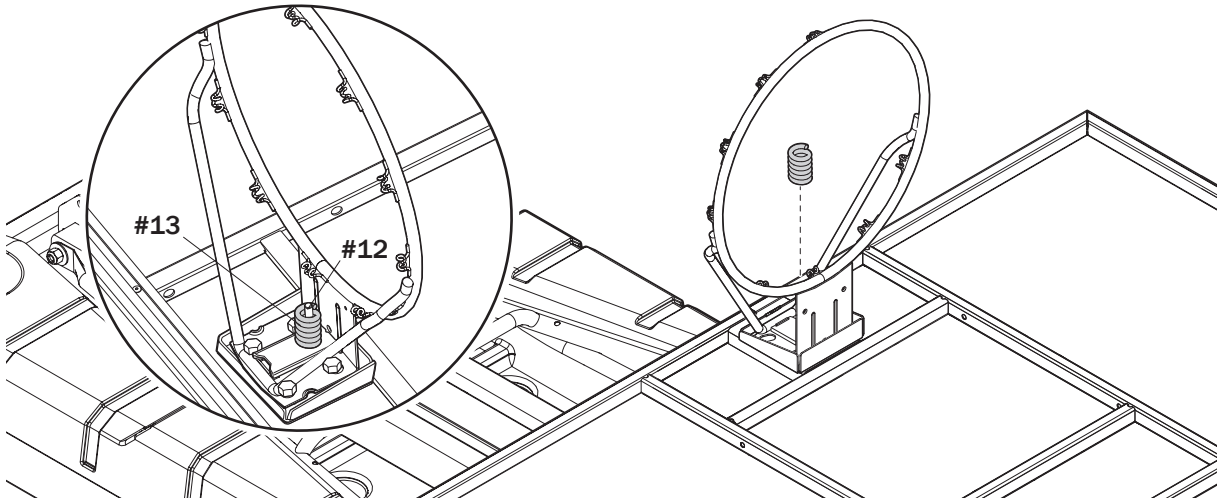


2. Install the reinforcement bracket (16) onto the t-bolt (12).

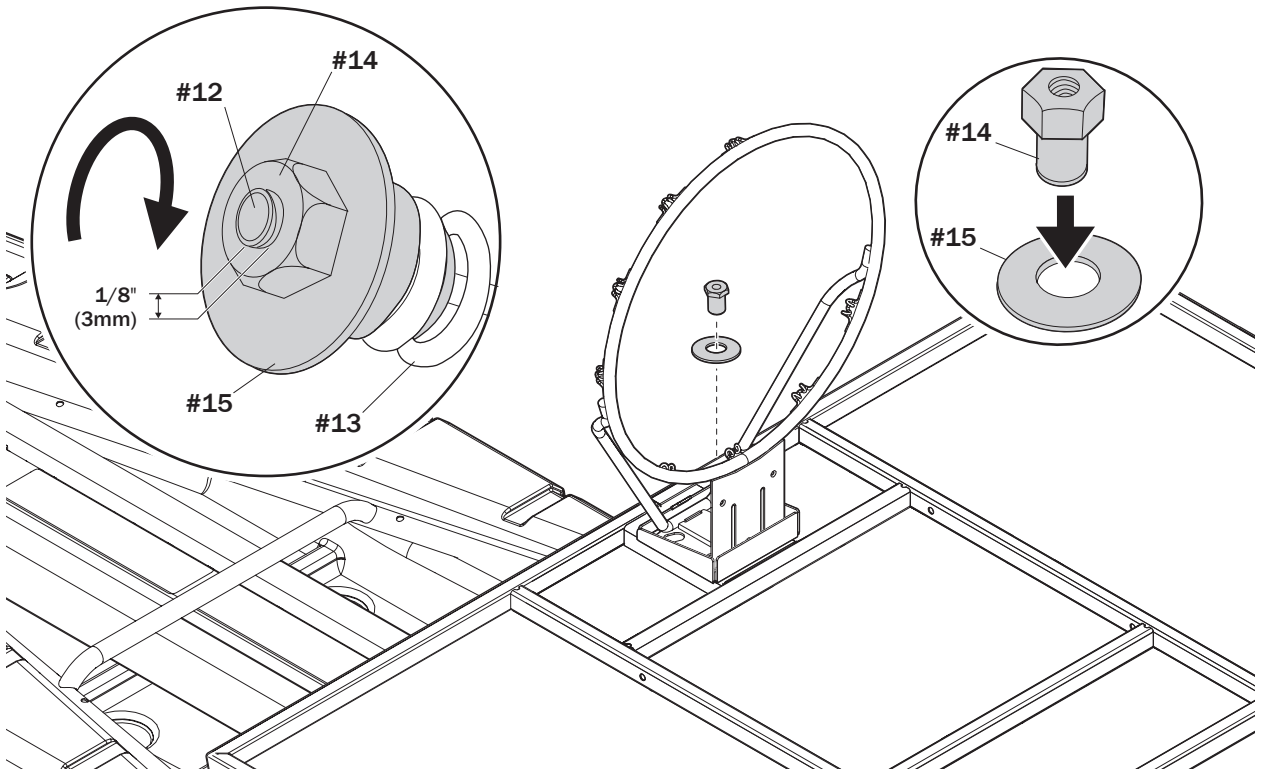


D ASSEMBLE THE GOAL

3. Install the spring (13) onto the t-bolt (12).



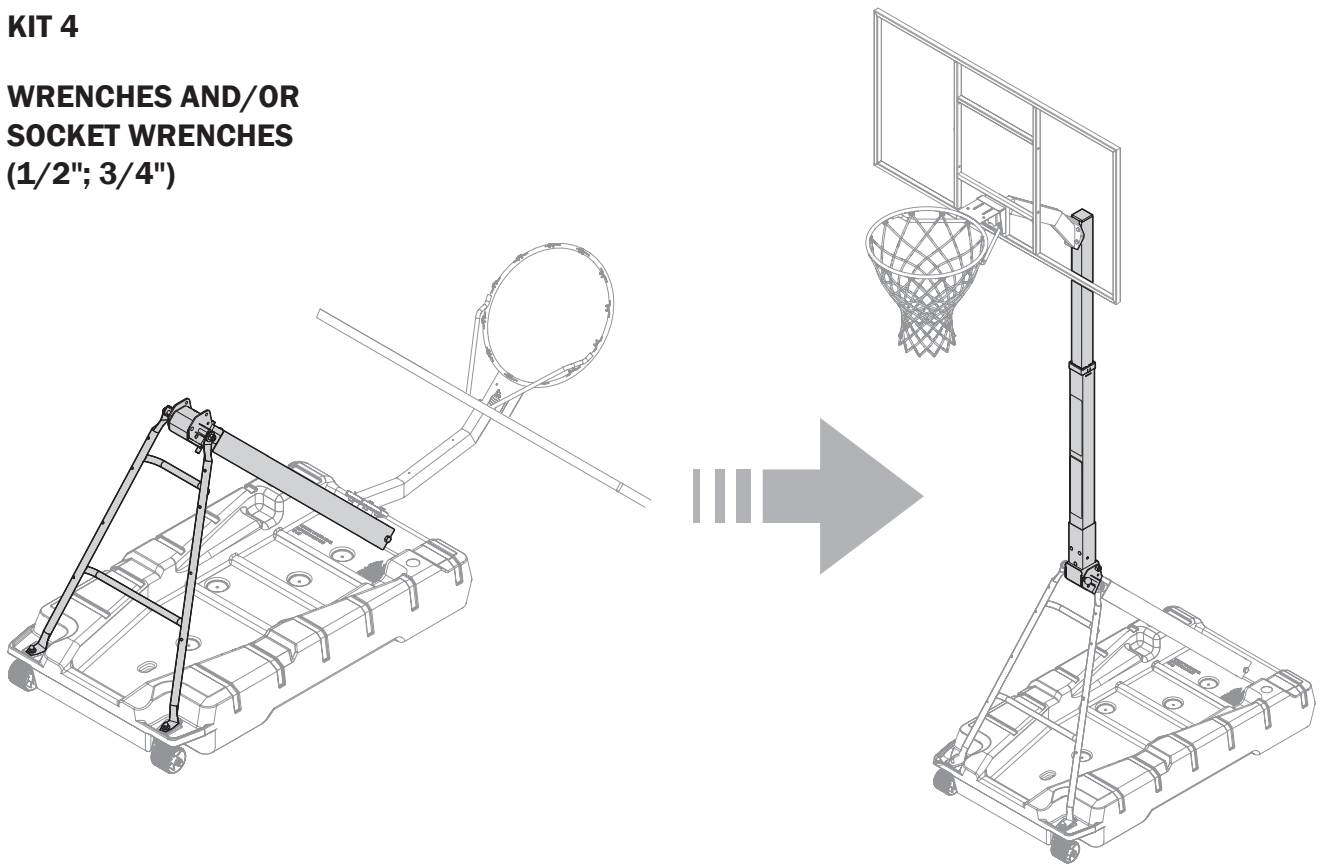
4. Install the special nut (14) and washer (15) onto the t-bolt (12).
5. Tighten the nut (14) until 1/8" of the bolt threads onto the exposed end of the t-bolt (12).



Assemble the Upright

Required Parts:

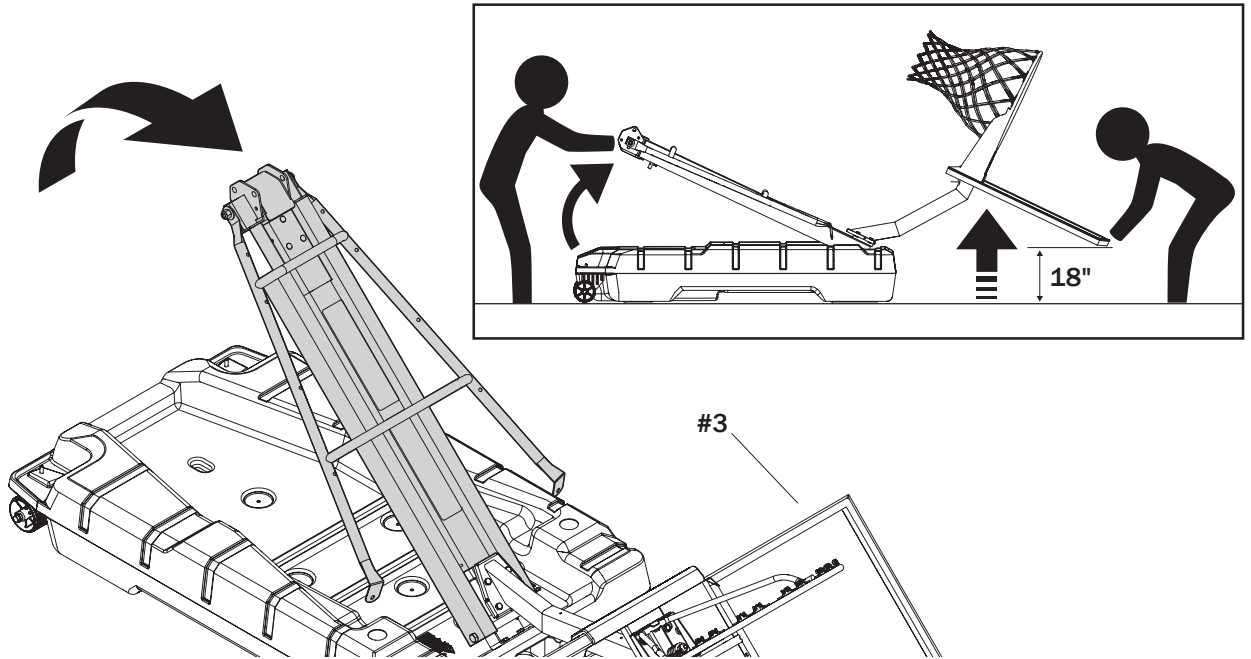
- **KIT 4**
- **WRENCHES AND/OR SOCKET WRENCHES (1/2"; 3/4")**

Completed Pole Assembly:**⚠ WARNING ⚠**

TWO PEOPLE ARE REQUIRED FOR THIS PROCEDURE. FAILURE TO FOLLOW THIS WARNING COULD RESULT IN SERIOUS INJURY AND/OR PROPERTY DAMAGE.

E ASSEMBLE THE POLE STRUTS

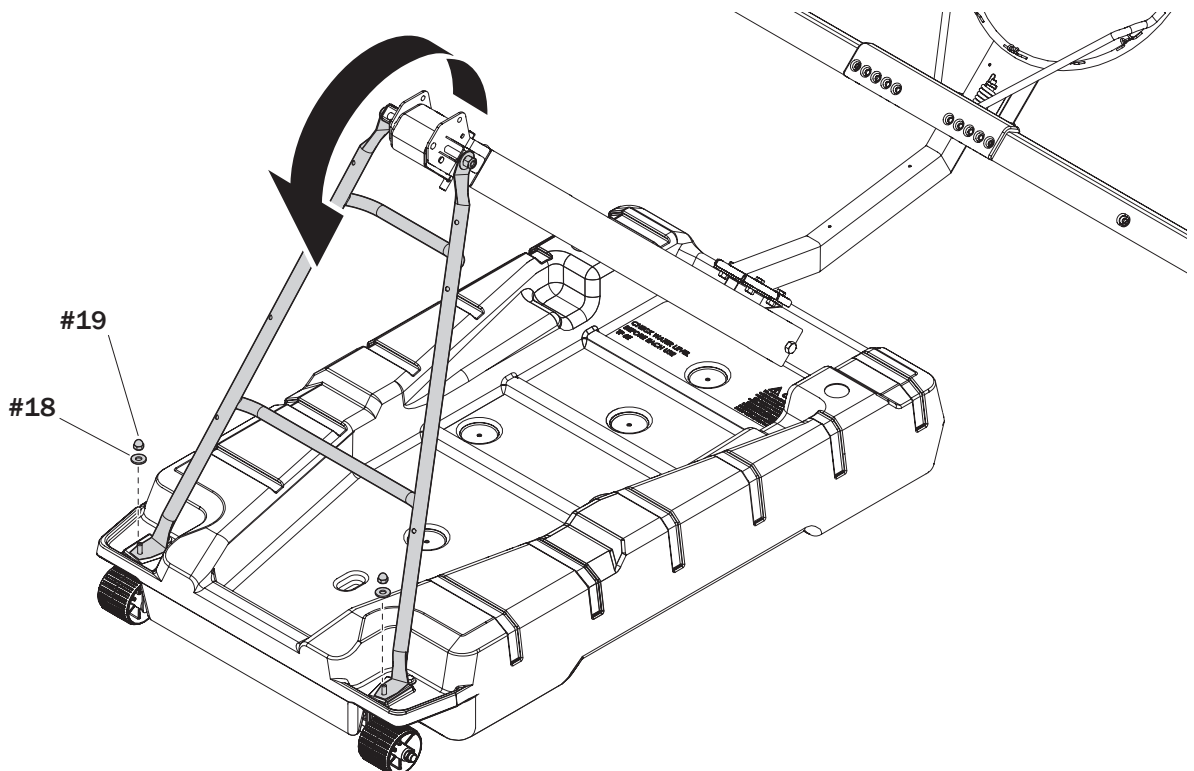
1. From the front of the unit, rotate the pole assembly upward. A second person must support the backboard (3).



⚠ IMPORTANT ⚠

DURING STEPS 1-2, THE SECOND PERSON SUPPORTING BACKBOARD ONLY NEEDS TO LIFT TOP EDGE OF THE BACKBOARD APPROXIMATELY 18" FROM THE GROUND. AFTER STEP 2 IS COMPLETED, THE SECOND PERSON MAY GENTLY LOWER THE BACKBOARD BACK TO THE GROUND.

2. After rotating the poles up, rotate the struts into the threaded studs on the base.
3. Secure the struts in place with a washer (18) and nut (19).

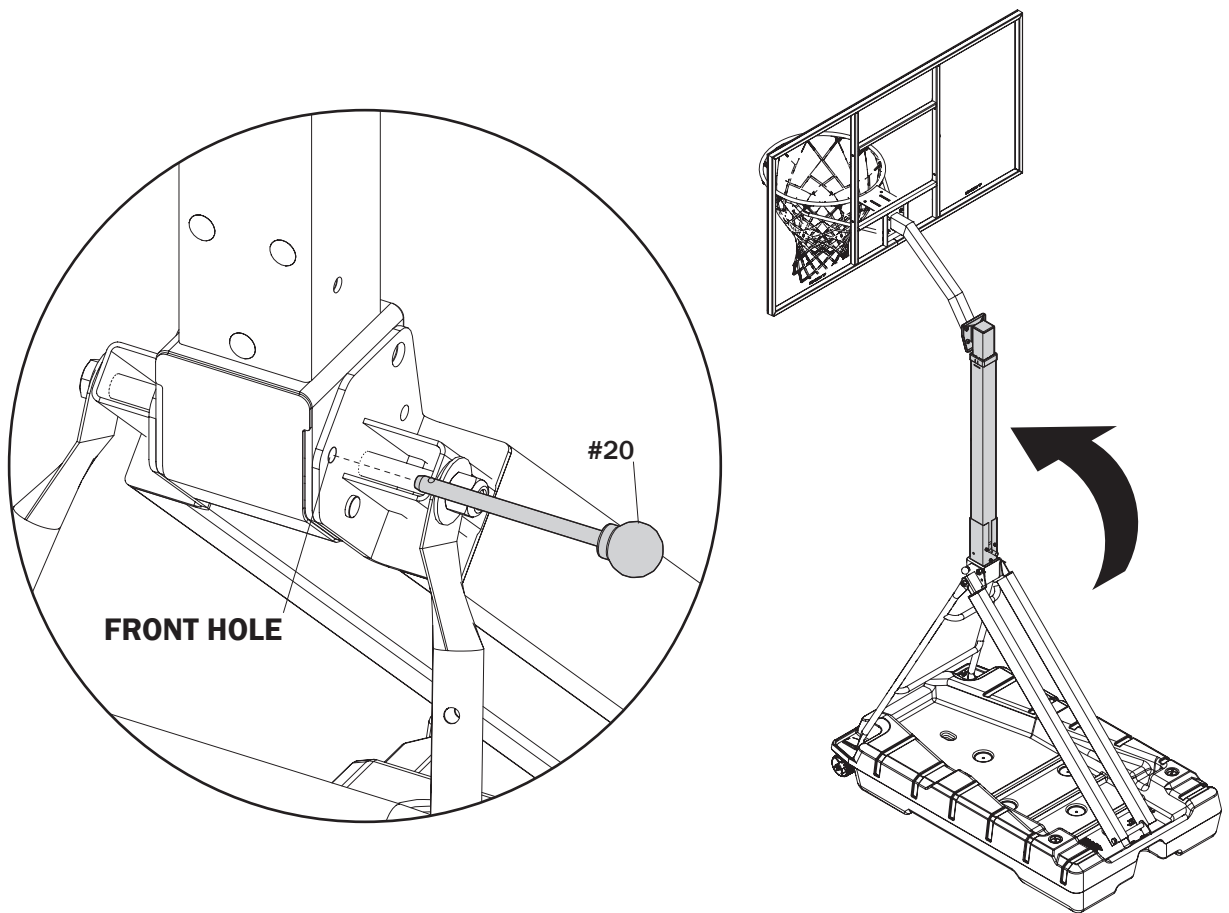


E ASSEMBLE THE POLE STRUTS

⚠ WARNING ⚠

- ENSURE THE BASE IS FILLED.
- TWO CAPABLE ADULTS ARE REQUIRED FOR THIS PROCEDURE. FAILURE TO FOLLOW THIS WARNING COULD RESULT IN SERIOUS INJURY.
- DO NOT LEAVE THE ASSEMBLY UNATTENDED WHEN EMPTY; IT MAY TIP OVER.

4. Carefully rotate the pole into the upright position.
5. Insert the pull pin (20) through the front hole.

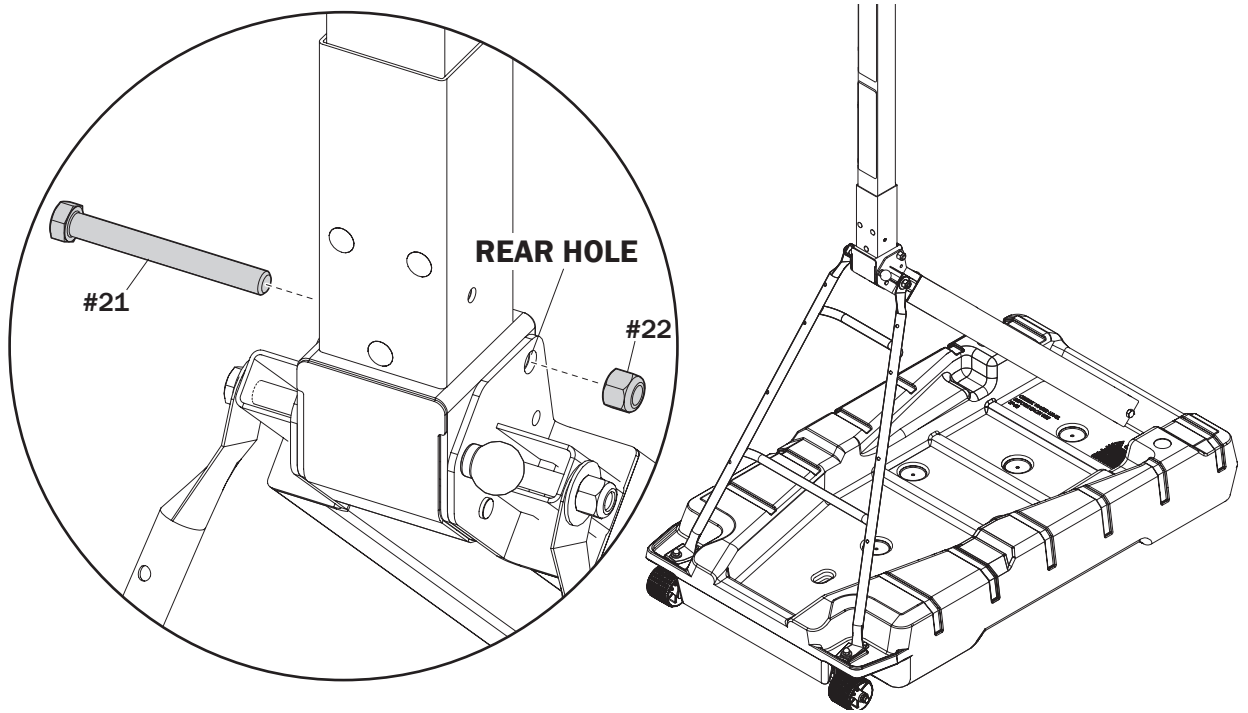


E ASSEMBLE THE POLE STRUTS

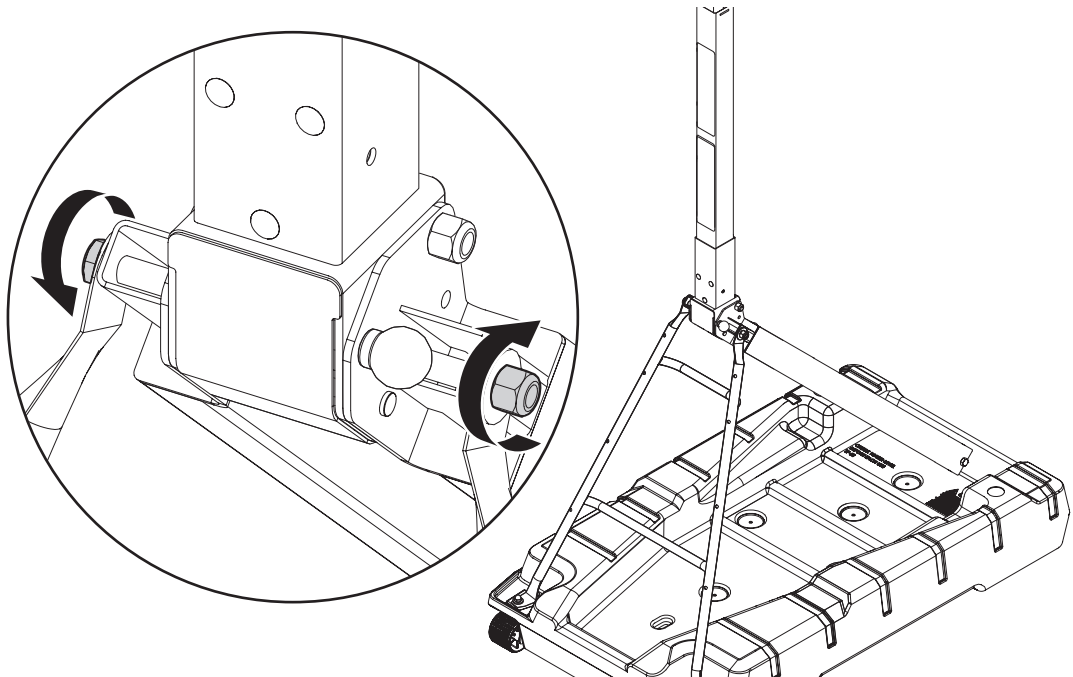
6. Insert the hex bolt (21) and secure with the nut (22). Tighten completely.

⚠ IMPORTANT ⚠

YOU MAY NEED TO SLIGHTLY ADJUST POSITION OF PRIMARY UPRIGHT TO ACHIEVE PROPER HOLE ALIGNMENT FOR BOLT INSERTION. GENTLY PUSH THE UPRIGHT BACK AND FORTH UNTIL PROPER CLEARANCE FOR BOLT INSERTION IS ACHIEVED.



7. Tighten the bolt and nut on the outside of the struts.

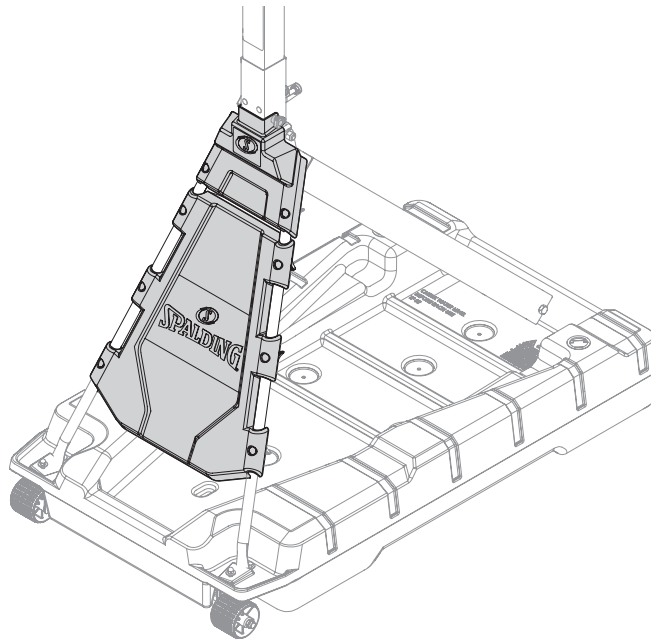


Assemble the Front Cover

Required Parts:

Completed Goal Assembly:

- KIT 5

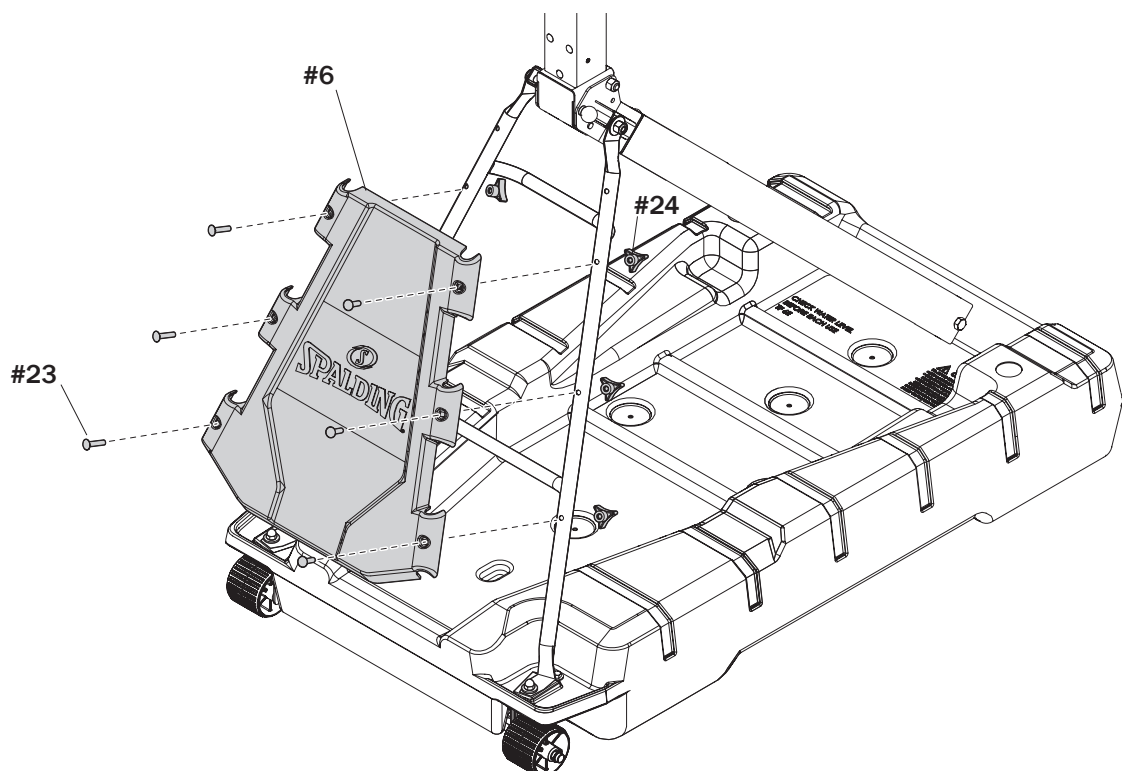


⚠ IMPORTANT ⚠

ENSURE ALL CARRIAGE BOLTS ARE INSERTED PRIOR TO TIGHTENING COMPLETELY.

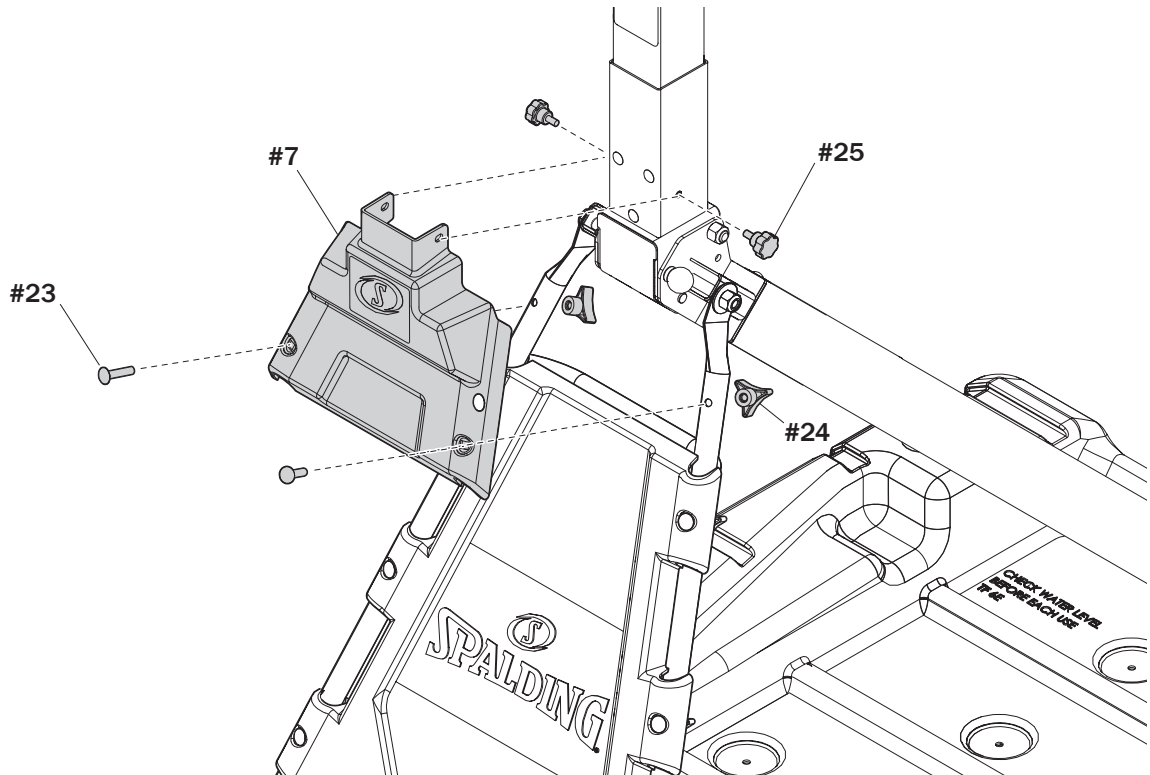
F ASSEMBLE THE FRONT COVER

1. Attach the front cover (6) to the struts using carriage bolts (23) and tri-knobs (24).



F ASSEMBLE THE FRONT COVER

2. Attach the knuckle shroud (7) using the carriage bolts (23), tri-knobs (24), and thumbscrews (25).



⚠ IMPORTANT ⚠

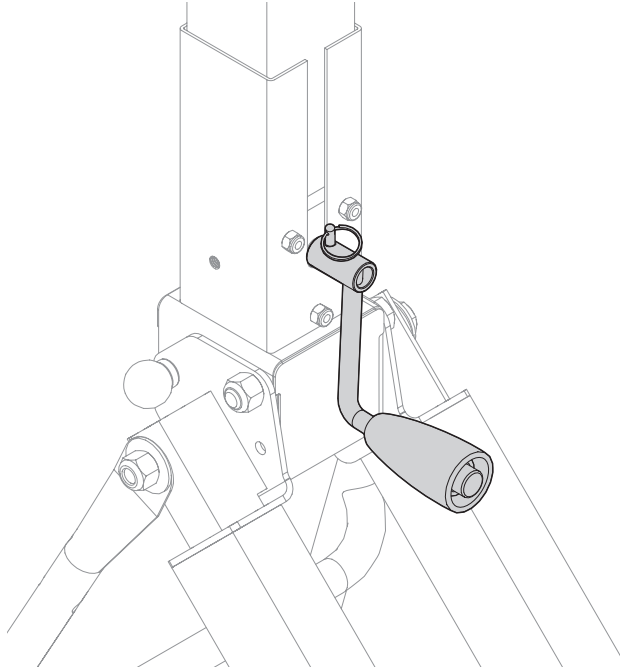
ENSURE ALL CARRIAGE BOLTS AND THUMBSCREWS ARE INSERTED PRIOR TO TIGHTENING COMPLETELY.

Assemble the Handle Assembly

Required Parts:

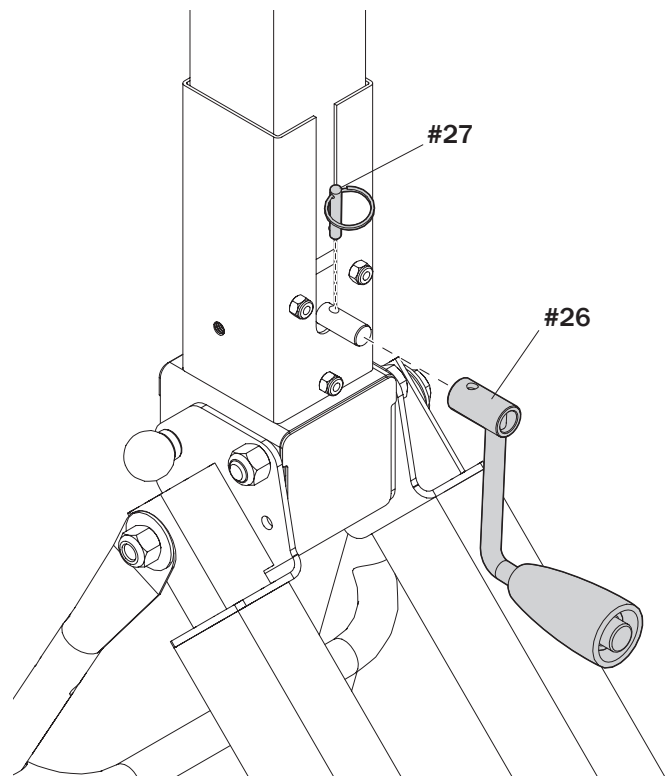
Completed Goal Assembly:

- KIT 6



G INSTALL THE HANDLE ASSEMBLY

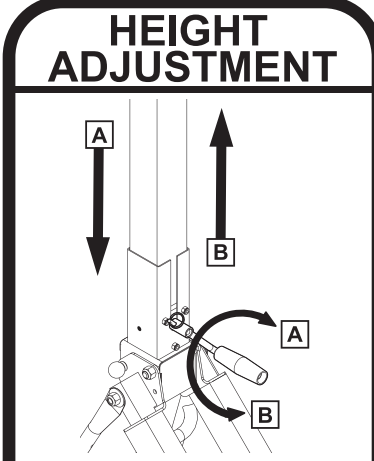
1. Attach the crank handle assembly (26) and pull pin (27).



G INSTALL THE HANDLE ASSEMBLY

2. Apply the Height Adjustment and Moving Label (5) to the front of the pole, where it is clearly visible.

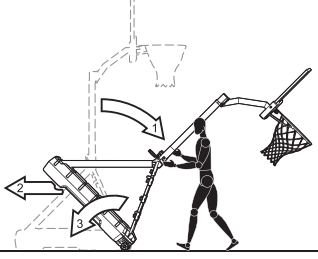
#5



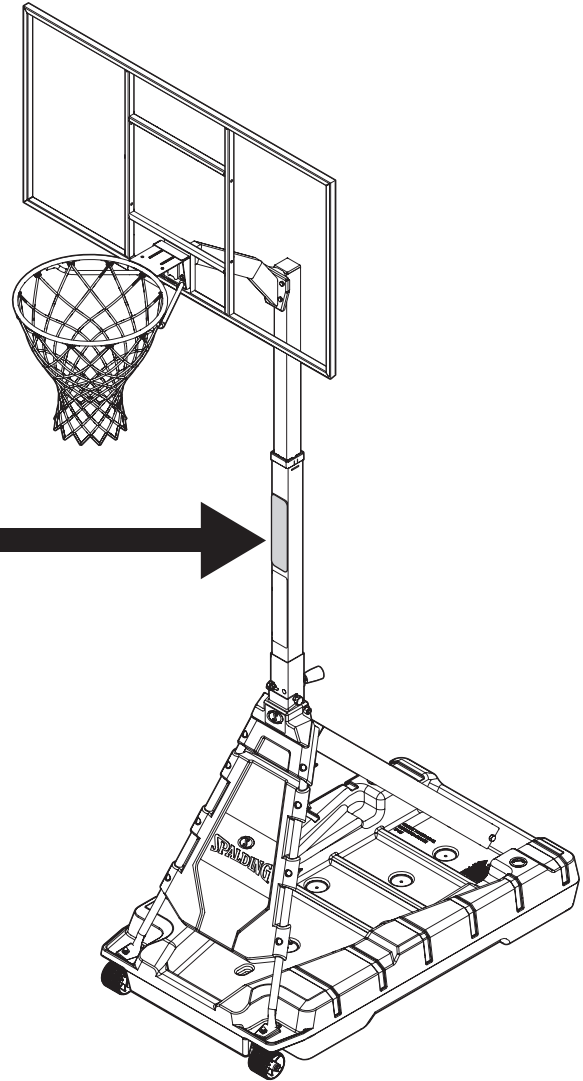
HEIGHT ADJUSTMENT

MOVING SYSTEM

1. While holding pole, rotate basketball system forward until wheels engage with ground.
2. Move basketball system to desired location.
3. Carefully rotate basketball system upright.
4. Check system for stability.



500104 10/19



Operation

H ADJUSTING THE HEIGHT

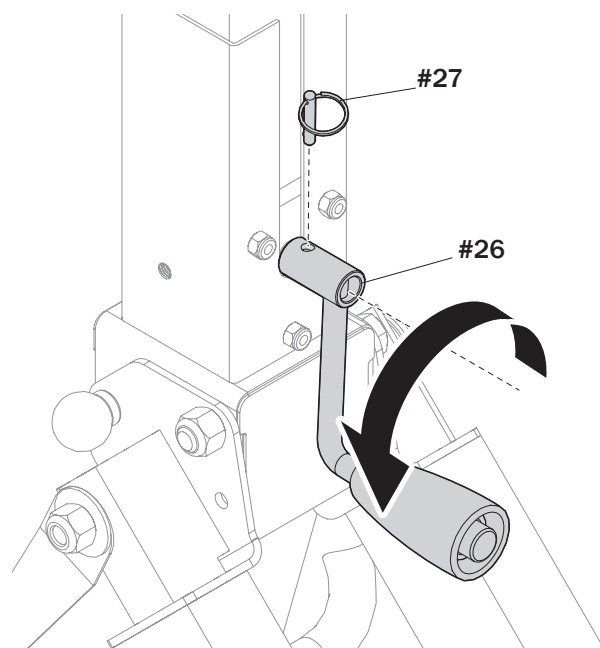


WARNING



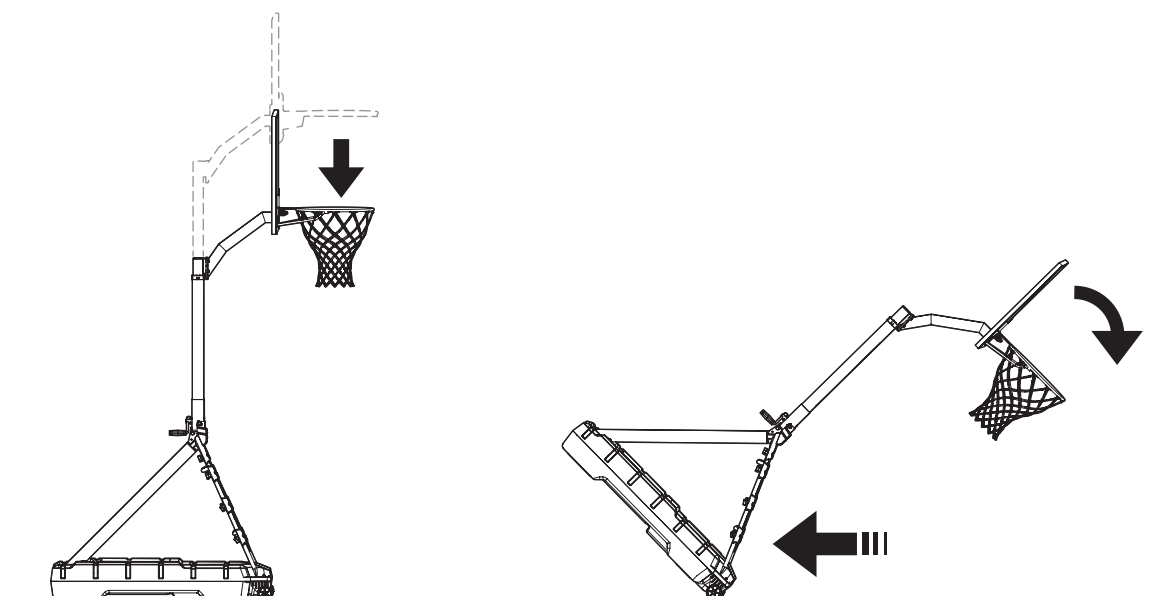
DO NOT ALLOW CHILDREN TO ADJUST THE HEIGHT.

1. Insert the pull pin (27).
2. Crank the handle (26) to adjust up or down to the desired height.
3. Replace the pull pin (27) to lock in place.

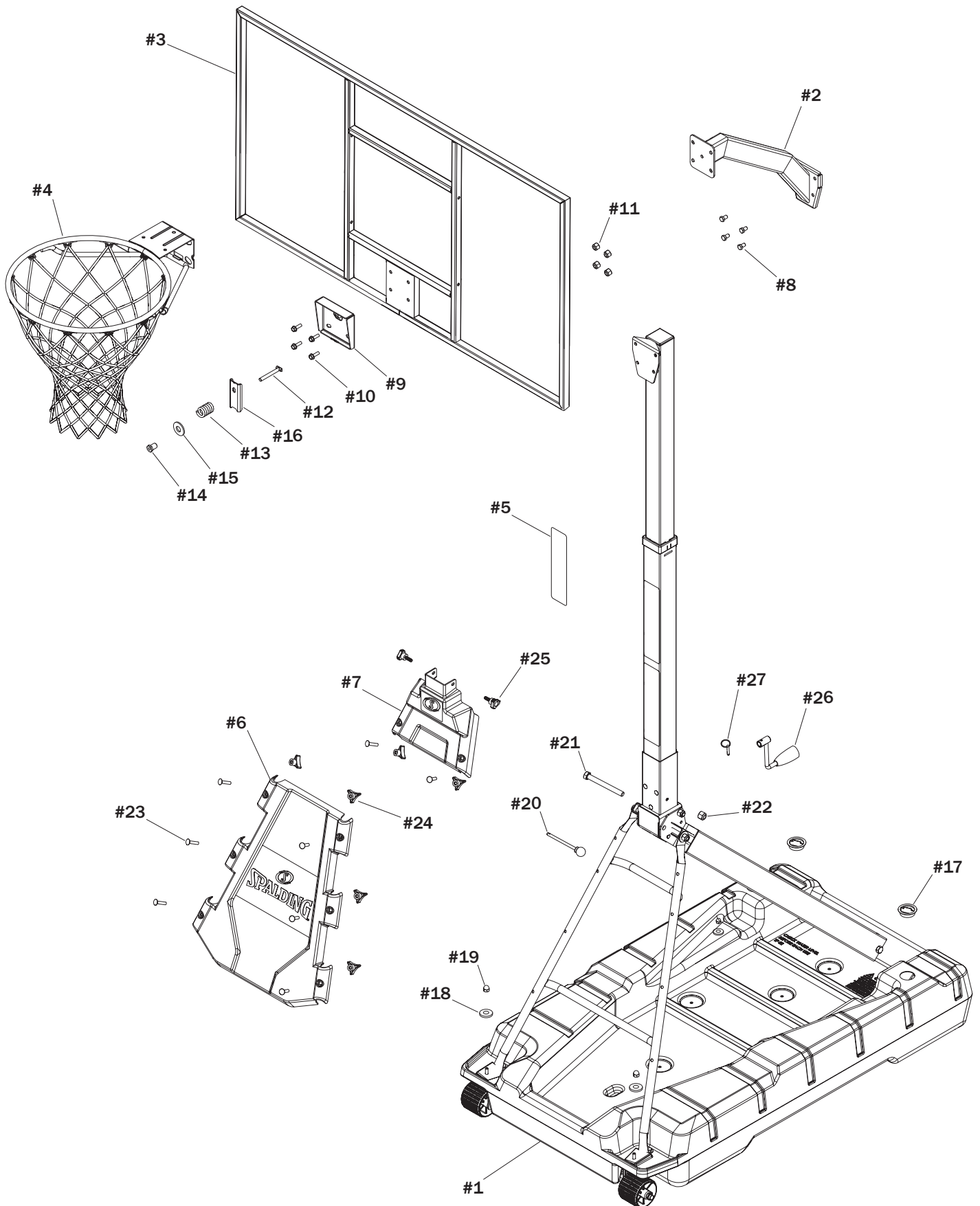


I MOVING THE UNIT

1. Lower the backboard height to the lowest position.
2. Grasp the pole and tilt system until the wheels of the base engage with the ground.
3. Roll the system to the desired location.
4. Tilt the basketball system into the upright position and check the system for stability.



Parts List



Item	Qty	Part No.	Description
1	1	801800	Primary Sub-Assembly
2	1	90183702	Extension Arm
3	1		Backboard Assembly
4	1		Rim
5	1	500104	Height Adjustment and Moving Label
6	1	801810	Front Cover
7	1	801811	Knuckle Shroud
8	4	204961	Bolt, Hex, 3/8-16 x .625"
9	1	900033	Rim Bracket
10	4	205528	Bolt, Hex, Flange, 5/16-18 x 1"
11	4	203100	Nut, Wiz, 5/16-18
12	1	206048	T-Bolt
13	1	208760	Spring
14	1	203795	Nut, Special

Item	Qty	Part No.	Description
15	1	203470	Washer, Flat, 1.5" OD
16	1	200318	Bracket, Reinforcement
17	2	203617	Plug, Base
18	2	203218	Washer, .375" ID
19	2	209185	Nut, Acorn, Locking, 5-16-18
20	1	209112	Pull Pin
21	1	206273	Bolt, Hex, 1/2-13 x 4.5"
22	1	206340	Nut, Nylock, 1/2-13
23	8	209183	Bolt, Carriage, 1/4-20 x 1.5"
24	8	600088	Knob, 1/4-20
25	2	209111	Thumbscrew, M8 x 1.25
26	1	702680	Handle Assembly
27	1	202528	Pull Pin, Handle

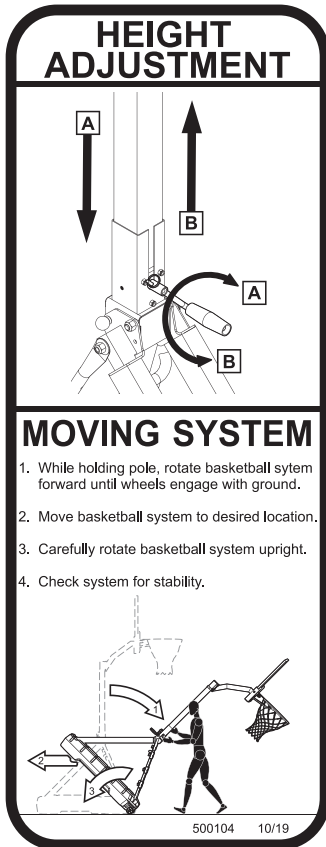
SAFETY LABELS



NOTICE



APPLY THE SAFETY LABELS TO THE COMPLETED ASSEMBLY PRIOR TO USE.



WARNING LABELS AND INSTRUCTIONS MUST ACCOMPANY THIS PRODUCT. CALL TOLL-FREE FOR REPLACEMENT: 1300 367 582 (AUSTRALIA) www.spalding.com.au



WARNING:
SWINGING ON THE RING
MAY CAUSE SERIOUS
INJURY OR DEATH



CAUTION:
THIS BACKBOARD AND RIM IS NOT DESIGNED TO SUPPORT A PLAYER HANGING FROM THE RIM OR NET. FAILURE TO OBSERVE THIS CAUTION MAY CAUSE BODILY INJURY AND / OR PROPERTY DAMAGE

WARNING

READ AND UNDERSTAND WARNINGS LISTED BELOW BEFORE USING THIS PRODUCT.

FAILURE TO FOLLOW THESE WARNINGS MAY RESULT IN SERIOUS INJURY AND/OR PROPERTY DAMAGE.

Owner must ensure that all players know and follow these rules for safe operation of the system.

- DO NOT hang on the rim or any part of the system including backboard, support braces, or net.
- During play, especially when performing dunk type activities, use caution to keep face away from the backboard, rim, and net. Serious injury could occur if teeth/face come in contact with backboard, rim, or net.
- DO NOT slide, climb, shake, or play on base and/or pole.
- After full assembly, fill system completely with water or sand. Never leave system in an upright position without filling base with weight, as system may tip over, causing injuries and/or property damage.
- DO NOT add ballast on top of base (such as sand bags or cinder blocks). Such added ballast can crack base, causing leakage, which could cause system to tip over. DO NOT use ballast on top of base as substitute for filling base with water or sand.
- When adjusting height or moving system, keep hands and fingers away from moving parts.
- DO NOT allow children to move or adjust system.
- DO NOT wear jewelry during play (rings, watches, necklaces, etc.). Objects may entangle in net.
- Surface beneath the base must be smooth and free of gravel or other sharp objects. Punctures or cracks in base could result, causing leakage which could cause system to tip over.
- Keep organic material and water away from pole base. Grass, water, litter, etc. could cause corrosion and/or deterioration.
- Keep pole top covered with cap at all times. Water and debris entering pole through uncapped top can cause corrosion from the inside.
- CHECK pole system for signs of corrosion (rust, pitting, chipping) and repaint with exterior enamel paint. If rust has penetrated through the steel anywhere, replace pole immediately.
- CHECK system before each use for proper ballast, loose hardware, excessive wear, and signs of corrosion; replace or repair before use.
- CHECK system before each use for instability.
- DO NOT use or leave system upright during windy and/or adverse weather conditions; system may tip over. Place system in the storage position and/or in an area protected from the wind and weather, and free from personal property and/or overhead wires.
- Never play on damaged equipment.
- See instruction manual for proper assembly and maintenance.
- When moving system, use caution to keep height adjust mechanism from shifting.
- Do not allow water in tank to freeze. During sub-freezing weather add 2 gallons of non-toxic antifreeze or sand, or empty tank completely and store. (Do not use salt.)
- DO NOT allow anyone to stand or sit on base while moving system.
- DO NOT leave system unsupervised, or play on system when wheels are engaged for moving.
- Use caution when moving system across uneven surfaces. System may tip over.
- Use extreme caution if placing system on sloped surface. System may tip over.

SPALDING

In the U.S.: 1-800-558-5234 Trademark registered in
In Canada: 1-800-284-8339 the USA and other countries.
In Australia: 1-300-367-582 ID#: 500081 04/21

WARNING LABELS AND INSTRUCTIONS MUST ACCOMPANY THIS PRODUCT. CALL TOLL-FREE FOR REPLACEMENT: LES ÉTIQUETTES D'AVERTISSEMENT ET LES INSTRUCTIONS DOIVENT ACCOMPAGNER CE PRODUIT. POUR UN REMPLACEMENT, APPELEZ LE NUMÉRO SANS FRAIS : 1.800.558.5234 | www.huffysports.com www.spalding.com